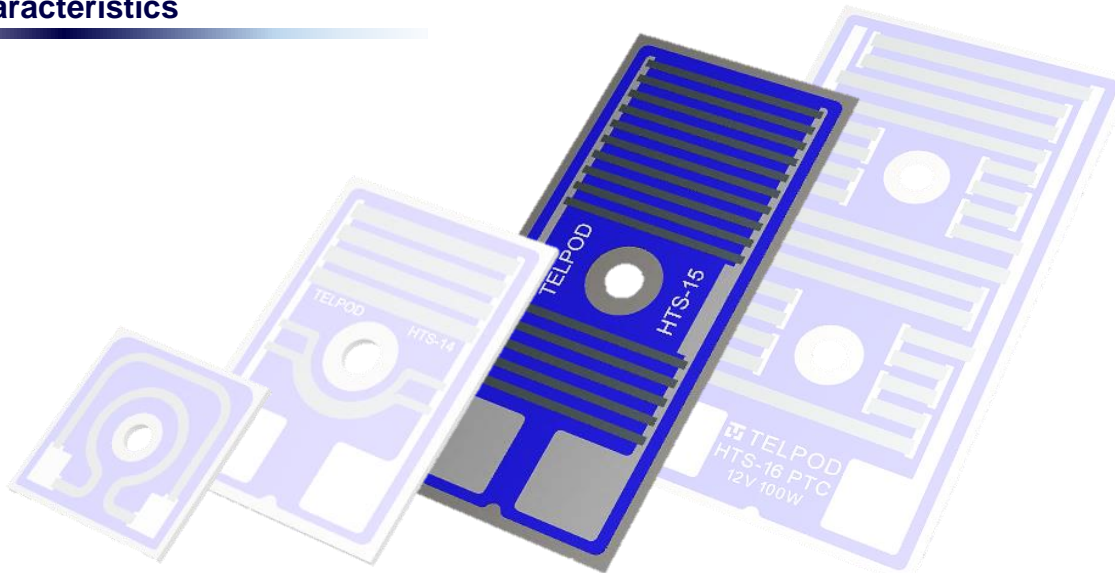


Thick-film heating elements HTS-15

Characteristics



Description

HTS series heating elements are made in a thick film technology, on stainless steel substrates. These heaters are designed for contact heating of flat surfaces. In compare with an usual tubular heating elements, heaters on stainless steel substrate provides substantially better temperature transfer and higher power at compact size. These elements can also be useful in applications, where low thickness of the heating element is important. Another application of these elements is to use as a power resistor. HTS series elements have outputs in the form of contact/solder fields, soldered wires, connectors, or screw terminals.

Features

- Very good power/volume ratio
- Power applications up to 500W
- Flat design
- Non inductive
- Easy mounting
- RoHS compliant



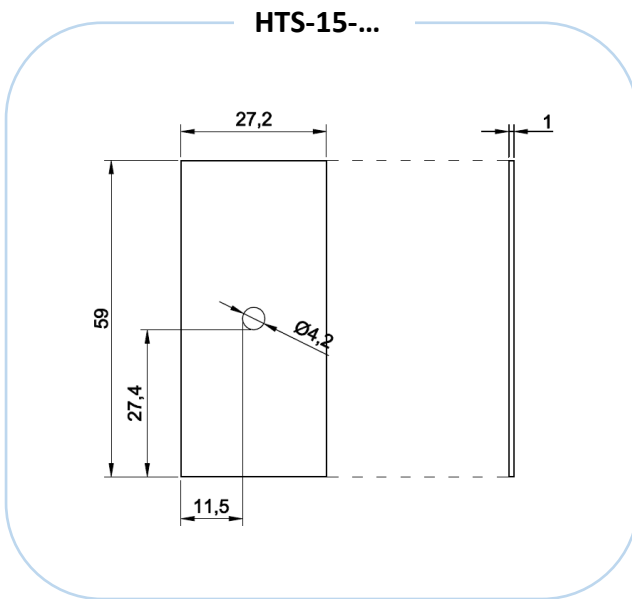
Technical Specifications

	HTS-15-...
Power rating (on heatsink)	10 ... 200 W
Power Tolerance	±5%, ±10 %
Nominal Voltage	12 ... 240 V
Electric strength voltage	2,5 kV
Temperature coefficient	±100 ppm/°C (available also ±1500 ppm/°C)
Max operating temperature	170 °C (available also 300°C)
External dimensions	59 x 27,2 x 1 mm
Mounting - torque for contacts M4	1,6 Nm ... 1,8 Nm

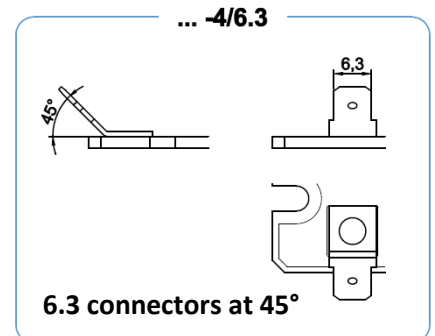
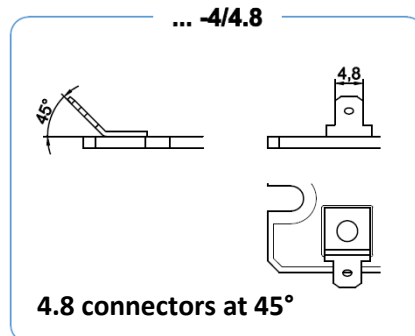
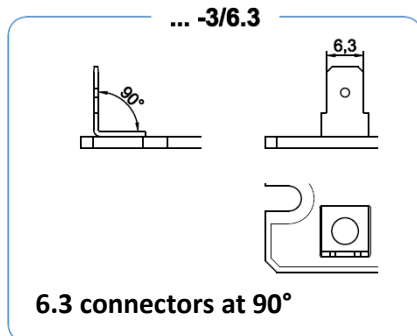
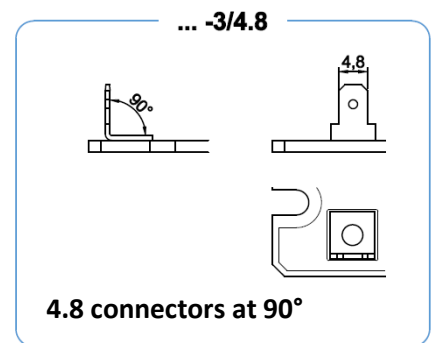
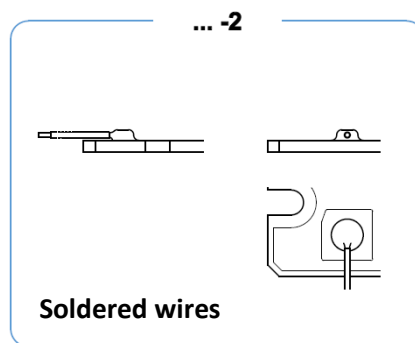
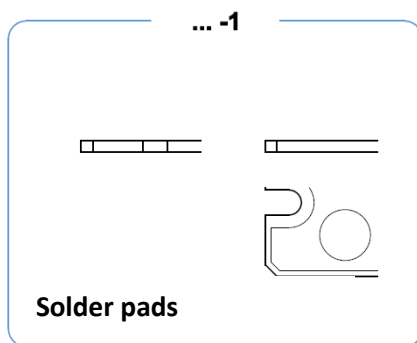
Thick-film heating elements HTS-15

External dimensions

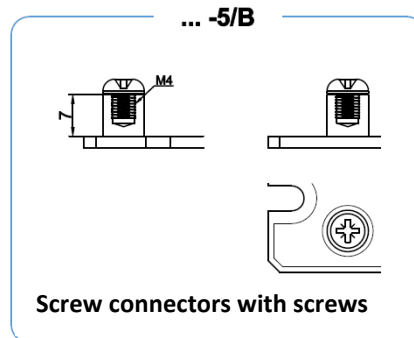
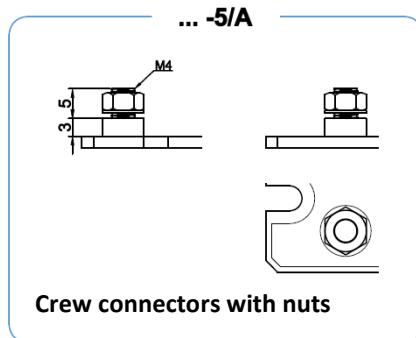
[mm]



Types of terminals



Thick-film heating elements HTS-15



The recommended tightening torque for **5/A** and **5/B** connections is **1.2 Nm**

Mounting to the heat sink

The heating element should be screwed to the heat sink with M4 screws. Thermally conductive pads (thermocouples) can be used to ensure effective heat transfer.

Ordering informations

Series	-	Voltage	-	Power	-	Tolerance	-	Terminal
HTS-15		12..240 V		10..200 W		5 % 10 %		1 2 3/4.8 3/6.3 4/4.8 4/6.3 5/A 5/B

Example

HTS-15 - 24 - 40 - 5 - 5/A

HTS-15 series heating element for 24V, 40W, tolerance $\pm 5\%$, with screw and nut connections.