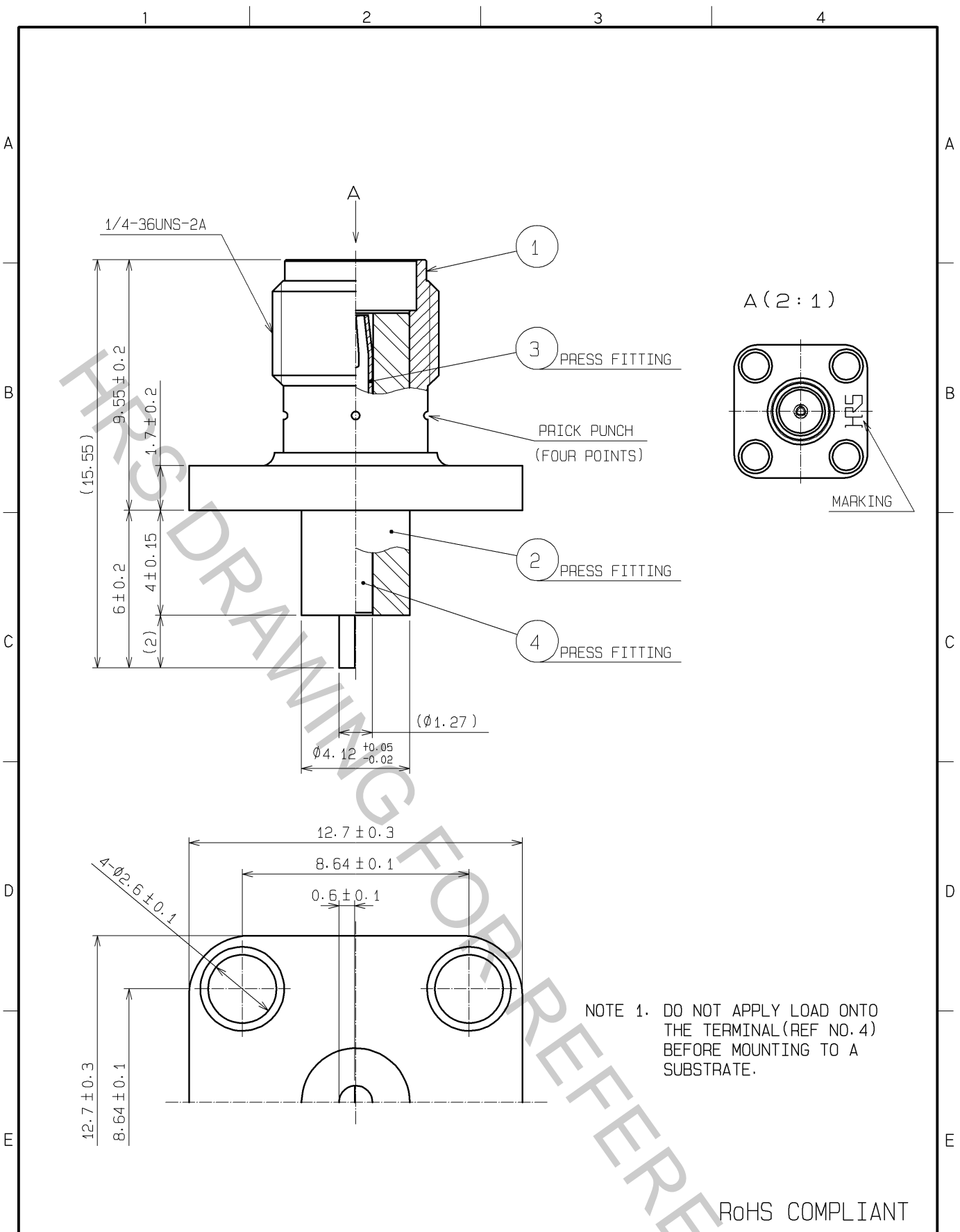


Jan.1.2019 Copyright 2019 HIROSE ELECTRIC CO., LTD. All Rights Reserved.
 In case that the application demands a high level of reliability, such as automotive,
 please contact a company representative for further information.



RoHS COMPLIANT

2	PTFE		4	BRASS	GOLD PLATING			
1	STAINLESS STEEL	PASSIVATE	3	BERYLLIUM COPPER	GOLD PLATING			
NO.	MATERIAL	FINISH .	REMARKS	NO.	MATERIAL	FINISH .	REMARKS	
UNITS mm		SCALE 5 : 1	COUNT 	DESCRIPTION OF REVISIONS		DESIGNED	CHECKED	DATE
HIROSE ELECTRIC CO., LTD.		APPROVED : MH. YAMANE	08.06.30	DRAWING NO.		EDC4-312122-00		
		CHECKED : MH. YAMANE	08.06.30	PART NO.		HRM(V)-306S		
		DESIGNED : TS. NOBE	08.06.30	CODE NO.		CL323-0879-5-00		
		DRAWN : TS. NOBE	08.06.30			1/1		