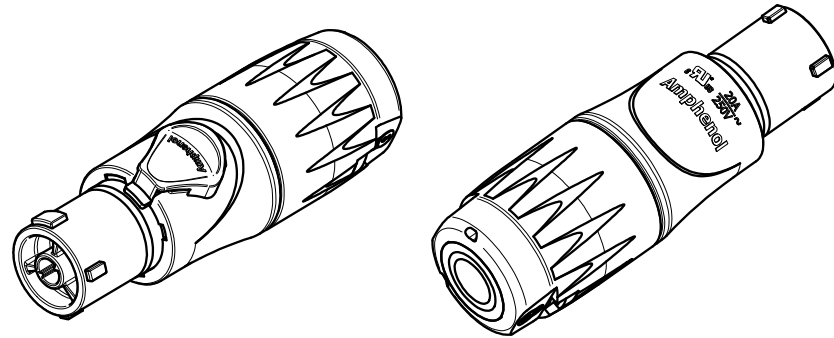
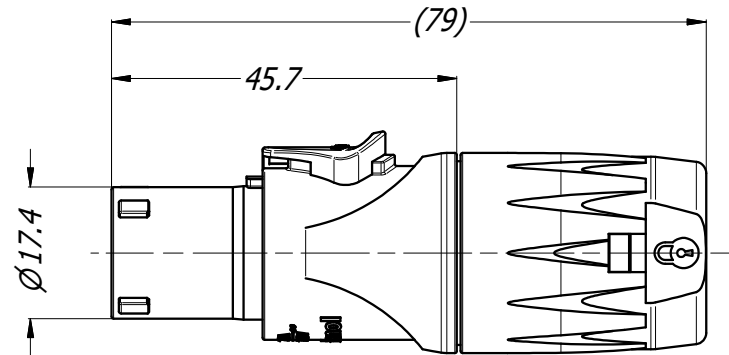
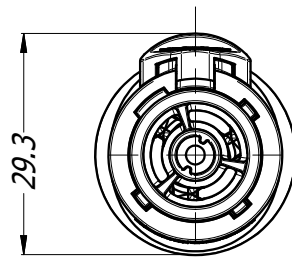
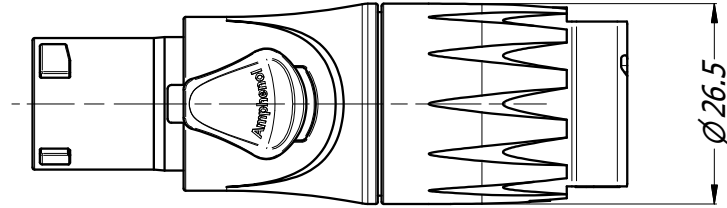


C **RA** US



3D VIEW
3:4



US PATENT# 10,186,804 & D840,341

NOTES:

1. CABLE OD RANGE:
- BIG GROMMET: 9.0 -12.0 MM OD
- SMALL GROMMET: 6.0- 9.0 MM OD
2. BACKSHELL TORQUE: 3.1 Nm

UNLESS OTHERWISE SPECIFIED TOLERANCE TO BE		THIS DOCUMENT IS THE PROPERTY OF AMPHENOL AUSTRALIA PTY. LTD. NO PART THEREOF MAY BE REPRODUCED AND USED WITHOUT THE PRIOR WRITTEN CONSENT OF THE OWNER.				Amphenol Amphenol Australia Pty.Ltd, 22 Industry Blvd, Carrum Downs VIC 3201	
LINEAR	ANGULAR	MATERIAL:	DRN: T.N	DATE: 26/07/19	TITLE:	PART No:	REV
X ± 0.5	X' ± 1		CKD: P.M	DATE: 26/07/19	CABLE CONNECTOR	HPT-3-F	3
X.X ± 0.1	X.X' ± 30'		APP'D: P.M	DATE: 26/07/19	FEMALE HPT SERIES	DRAWING No.	SHEET
X.X ± 0.05	X.X" ± 15'	FINISH:	SCALE: 1:1	SIZE: A4	CABLE OD 6.0-12.0mm	55011198-000-2	2/2
BREAK ALL SHARP EDGES AND REMOVE ALL BURRS		THIRD ANGLE PROJECTION					
DO NOT SCALE							
DIMENSIONS IN MILLIMETRES							