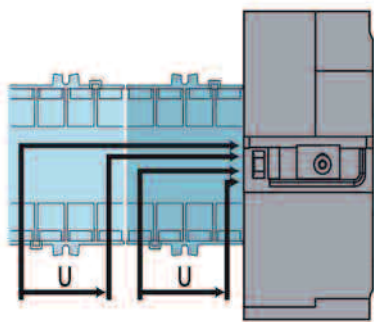


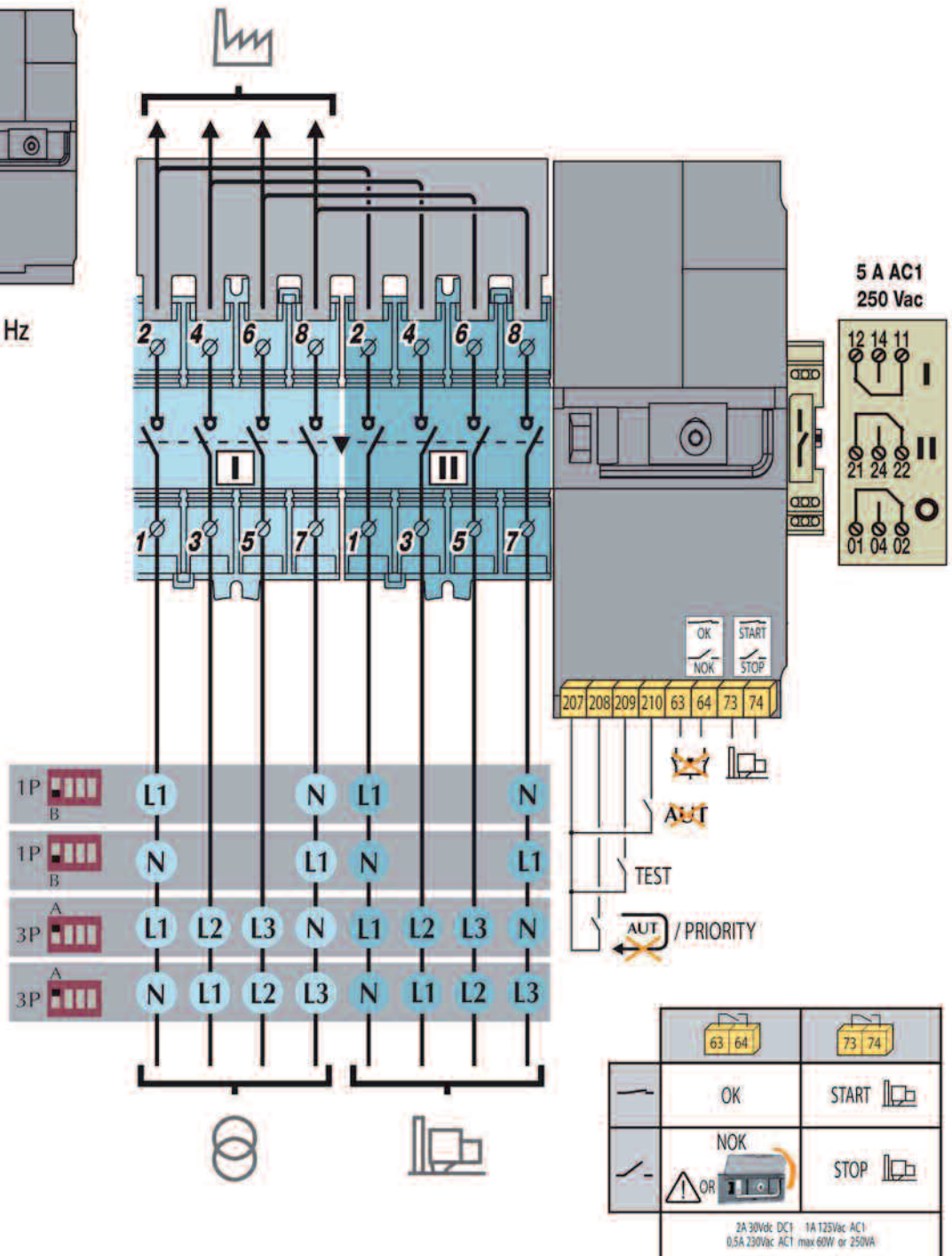


- Ⓜ GB Automatic Transfer Switch
- Ⓜ FR Commutateur motorisé
- Ⓜ DE Motorisierter Umschalter

HIC 402A - HIC 404A
 HIC 406A - HIC 408A - HIC 410A
 HIC 412A - HIC 416A



U = 176-288 Vac 45-65 Hz



	63 64	73 74
—	OK	START
—	NOK	STOP
—	⚠ OR	STOP
2A 30Vdc DC1 - 1A 125Vdc AC1 0.5A 230Vdc AC1 max 60W or 250VA		

Ref : HIZ400 125 A ≦
Ref : HIZ401 = 160 A

10 to 70 mm²
8 to # 00 AWG
6 to 50 mm²
10 to # 00 AWG
15 mm / 0,59"

44,1 lb-in 5,0 Nm

OK

Ref : HZC218

44,1 lb-in 5,0 Nm

3,97 lb-in 0,45 Nm

3,5

44,1 lb-in 5,0 Nm

3,97 lb-in 0,5 Nm

OK

°C
°K

Ref : HZI230

0,5 to 1,5 mm²
20 to # 14 AWG
0,5 to 1,0 mm²
20 to # 16 AWG
6 mm / 0,236"

10 to 70 mm²
8 to # 00 AWG
6 to 50 mm²
10 to # 00 AWG
15 mm / 0,59"

0,5 to 2,5 mm²
20 to # 14 AWG
0,5 to 1,5 mm²
20 to # 16 AWG
6 mm / 0,236"

Ref : HZI300, HZI301

0,5 to 2,5 mm²
20 to # 14 AWG
0,5 to 1,5 mm²
20 to # 16 AWG
6 mm / 0,236"

4,4 lb-in 0,5 Nm

20mm
8,8 lb-in 1 Nm

35mm
8,8 lb-in 1 Nm

2 MAX

OK

STEP 1
STEP 2
STEP 3
STEP 4

2,2 lb-in 0,25 Nm

OK!

340
324
116
13 26
143
18
245
45
MAX : 2
46
53
73,5

340
52 104 176
131,5
131,5
6 x M6 22 lb-in 2,5 Nm

RAIL IEC 60715

8,8 lb-in 1 Nm

OK OK OK OK OK OK

hygrometry :
* 90% humidity without condensation at 5° C
* 95% humidity with condensation at 40° C

altitude :
max 2 000 m without de-rating

temperature :
* -10 +40° C without de-rating
* -20 +70° C with de-rating

mass : 5 kg

storage :
* temperature -20 to +70° C
* period : 1 year max

OPERATION

AUT

Click

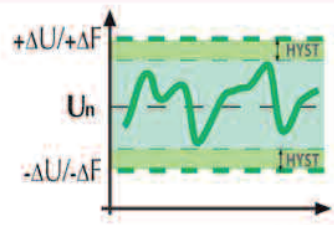
Max 88,2 lb-in 10 Nm

4 mm min
3/16" min
8 mm max
5/16" max

STEP 1



STEP 3



Un (P-P) : 380 → 420 Vac
Un (P-N) : 220 → 240 Vac

ΔU : 5 → 20%
ΔF : 3 → 10%
HYST : 20% ΔU/F

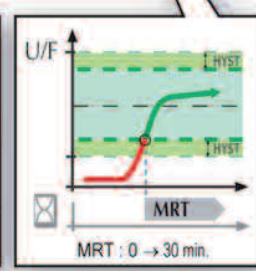
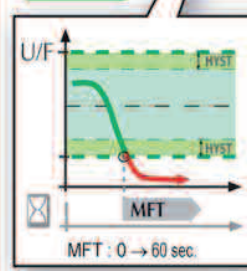
STEP 2

A 3P
B 1P
C 50 Hz
D 60 Hz
E [Symbol]
F [Symbol] 2 s

MODE
G MODE 1, MODE 2
H MODE 3, MODE 4

ON OFF [Symbol]
 △ FAULT OK WAIT!
 AUT [Symbol] [Symbol] [Symbol]

STEP 4



ON OFF [Symbol]
 TEST MODE 1, MODE 2
 [Symbol] [Symbol] [Symbol]

NORMAL [Symbol] PRIORITY [Symbol] TEST [Symbol]

