



Huizhou Wisva Optoelectronics Co.,Ltd

惠州市慧昊光电有限公司

Add: 5F, Bld 6, Zhonghai Science Park, Dayawan West District, Huizhou China 516083

地址: 惠州市大亚湾西区中海科技(惠州工业园)6号厂房5楼

Tel/Tel: 0752-5288039

Web: [www.wisvaled.com](http://www.wisvaled.com)/[www.wisvaled.net](http://www.wisvaled.net)

# Product Specification

产品规格书

Item No.:

----- HH-SX504F005W12-COB  
产品型号:

Series: COB Series

-----  
产品系列: COB超窄系列

Confirmation/制作

Approval/审核

Audit/确认

Date/日期

Version/版本

何俊远

林延安

8月14日

1.0

## Features(特征)

Chip-on-board design, with more chips on PCB, the lighting effects are more evenly.

COB设计方案, 更多的芯片在板子上, 光更均匀.

5mm ultra slim PCB, cut length is only 7.94mm, better for more applications in furniture lighting or display lighting.

5mm超窄板宽, 且最小裁剪仅7.94mm, 在家具照明, 展示照明等领域中适用于更多应用场景。

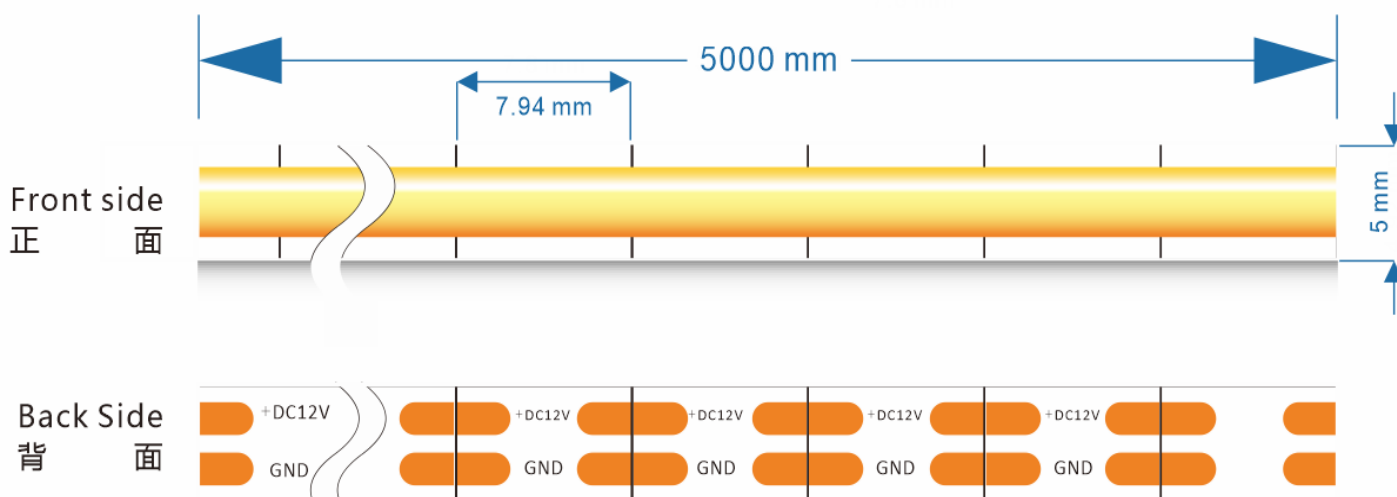
Double layer 2oz PCB, for better flexibility, heat dissipation and voltage drop.

2oz双面板, 兼顾产品压降、散热及柔性.

## Picture(图片)



## Dimensions(尺寸)



## Specifications(参数)

Item NO. 产品型号	HH-SX504F005W12-COB					
Input Voltage 输入电压	12Vdc					
PCB 板子	5mm, 2oz					
Power 功率	6.0W/M					
Ra 显色指数	Ra 80+			Ra 90+		
CCT 色温	2700K	3000K	4000-6500K	2700K	3000K	4000-6500K
Brightness 亮度	570Lm/m	600Lm/m	630Lm/m	480Lm/m	510Lm/m	570Lm/m
Efficiency 光效	95Lm/w	100Lm/W	105Lm/W	80Lm/W	85Lm/W	95Lm/W
Length 长度	5 meters					
Size 尺寸	Width: 5mm; Height: 2mm					
Cutting Length 裁剪长度	7.94mm					
Lifespan 工作时长	50,000 H					
Working Temperature 工作温度	-20°C - 40°C					
Storage Temperature 储存温度	-20°C - 45°C					
Warranty 质保	3 years					

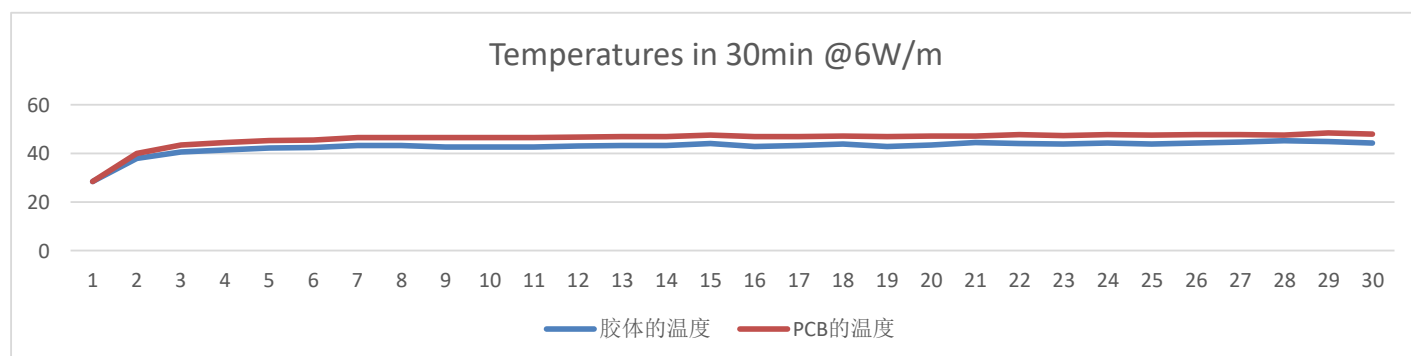
\* The above measurements of watts, brightness and efficiency allowance tolerance  $\pm 10\%$ .

\* 以上功率和光效允许误差范围是 $\pm 10\%$ .

\* The above measurements are based on IP20.

以上测量均基于IP20.

## Temp. Curve(温升曲线)



\* The above curve based on 30 minutes testing data. The Temp. changes after powering within 30 minutes.

\* 以上的曲线基于30分钟的测试数据, 显示通电之后30分钟的温度变化.

\* The x-axis indicates the minutes from 1 minutes to 30 minutes.

\* X轴表示时间从第1分钟到第30分钟.

\* The y-axis indicates the changes of temperatures in Glue, PCB under ambient TC at 25°C

\* Y轴表示胶水, PCB的温度变化, 测试环境温度为25摄氏度。

## Brightness Curve(亮度曲线)

Length	1st m	2nd m	3rd m	4th m	5th m
Volage	11.31	11.15	10.94	10.83	10.81
Lumen	396.94	325.90	232.66	183.82	174.94
Dropped	0.00%	-17.90%	-41.39%	-53.69%	-55.93%

\* The above chart shows the voltage drop on each meter, shows the brightness difference on each meter.

The above test are based on 5m.

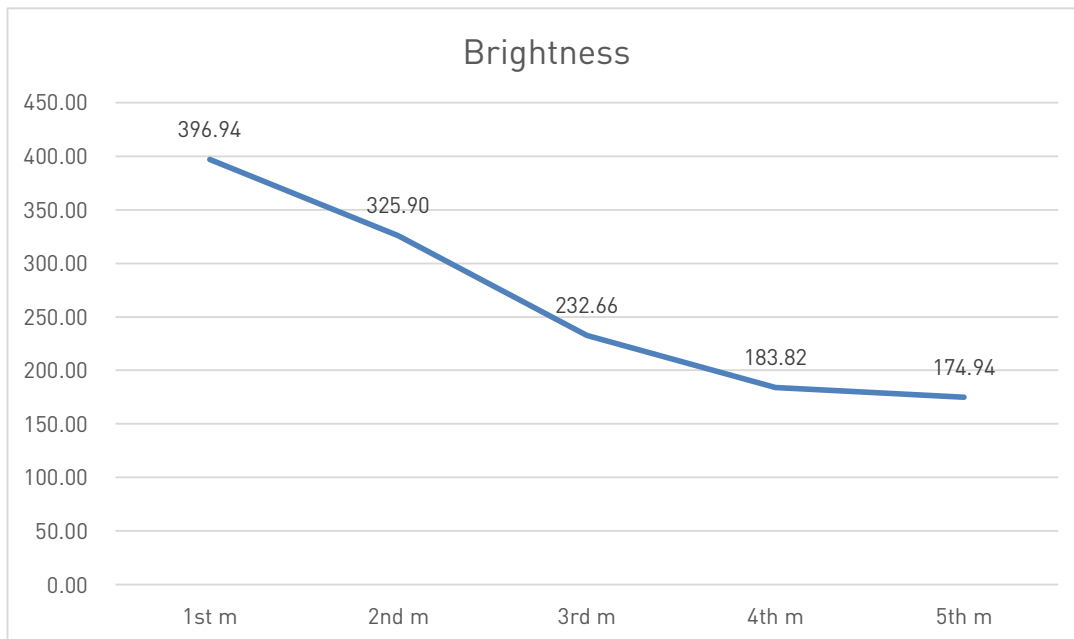
以上曲线显示每一米上的压降, 显示每一米之间的亮度差, 以上测试基于5米.

\* The following reference curve shows the brightness on each meter, the total length based on 5m.


以下参考曲线显示在灯带每一米上的亮度, 灯带总长度为5m.

\* Normally, we recommend brightness drop within 30%, so the recommend connecting length is 2m.

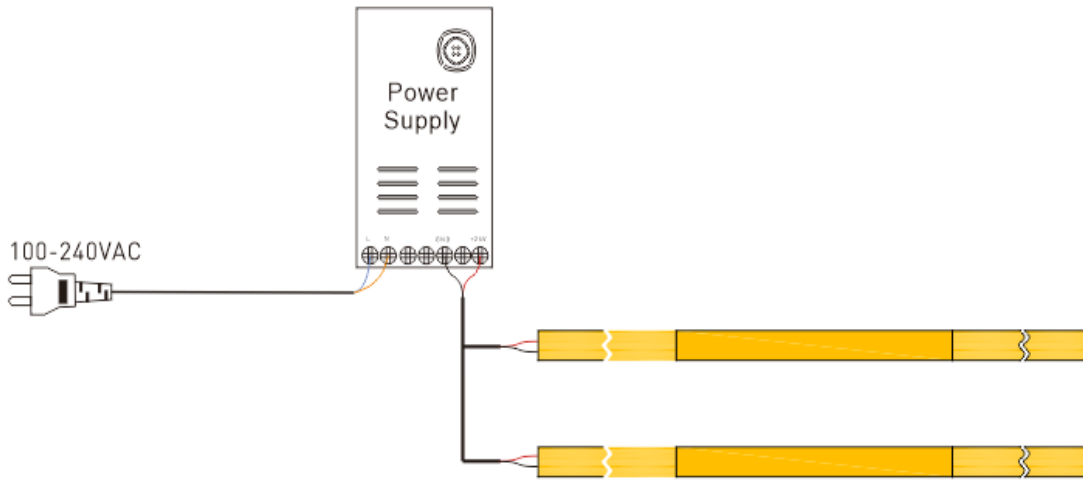
一般情况下,我们建议首位亮度差维持在30%以内, 所以该产品推荐的连接长度为2米.



## Waterproof Ways(防水方式)

Waterproof Ways	IP Rating	Details
防水方式	防水等级	细节说明
	IP65	Injected with heat shrink tube. 热缩套管防水

## Installation Ways(安装方式)



\* The max running length is 2 meters, for over 2 meters please connect in parallel.

单端供电最大连接长度为2m, 超过2m请并联使用.

\* Make sure of the total watts of COB Strip lights is less than 80% of the power supply's max output.

确保灯带的总的功率小于电源输出功率的80%.

\* Match the polarities according to the mark ('+' and '-') in the PCB while connecting.

连接时, 请对准PCB板子上标注的极性.

## Applications(应用)

\* furniture lighting or display lighting.

家具照明, 展示照明等.

## Package(包装)

①) 5 meters per roll.

5m一卷.

②) Each roll packed with anti-static bags, and label on

每一卷放入静电袋中, 静电袋表面贴标签.

③) 25 rolls into a inner box(30cm x 24cm x 26cm).

25卷放入一个内箱中(30cm x 24cm x 26cm).

④-⑤) 2 inner boxes into a large carton (50cm\*30cm\*29cm).

2个小箱放入一个大箱.

