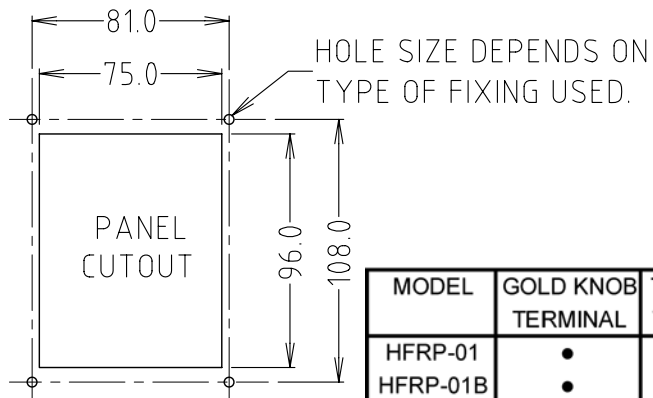
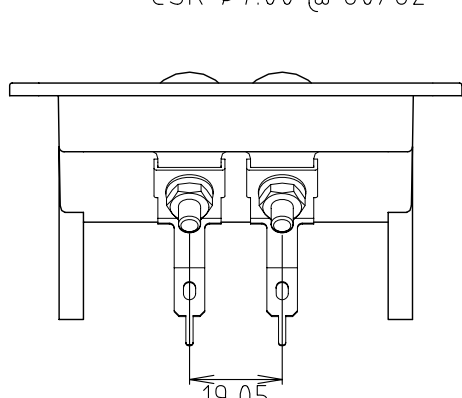
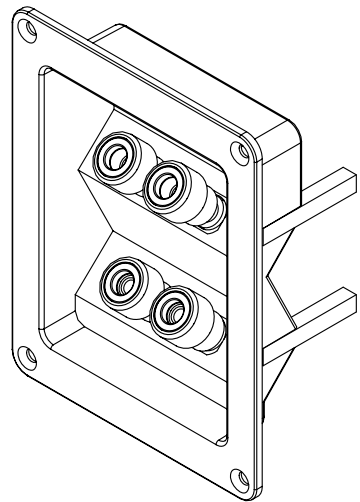


ISS.	AMEND	DATE
1	1st DRAWN	4/2/99
2	PARTS IDENTIFY	19/5/99
3	RED/BLK SWAP	3/6/99
4	FC7917 ADD	17/8/99
5	NUT ERROR	2/9/99



* HOLE DIMENSIONS FOR USING VERTICAL MOUNTING PCB.

* NOTE: 'Y' TYPE HAS TERMINAL WITH Ø3.6mm TOP HOLE. (USES INSERTS FC7915R AND FC7915B)

VARIANTS

MODEL	GOLD KNOB TERMINAL	TP/6 KNOB TERMINAL	GOLDEN BIAMP STRIP	P/No. STD TYPE	P/No. Y' TYPE
HFRP-01	•			CL2150	CL2150Y
HFRP-01B	•		•	CL2151	CL2151Y
HFRP-02		•		CL2152	CL2152Y
HFRP-02B		•	•	CL2153	CL2153Y

RoHS COMPLIANT

Tolerance

- NO DEC. PLACE ± 0.50
- 1 DEC. PLACE ± 0.20
- 2 DEC. PLACE ± 0.10
- DIA. HOLES ± 0.10
- ANGLES ± 1/2°
- UNLESS OTHERWISE STATED

WHERE USED F.R.
SCALE N.T.S.

DIMENSIONS IN MILLIMETERS UNLESS OTHERWISE STATED. WORK TO DIMENSIONS. DO NOT SCALE DRAWING. 3rd ANGLE PROJECTION. REMOVE BURRS. IF IN DOUBT ASK.