

## CREE XM-L2 U3 LED

Maximum Output 1000Lm,  
50000h Lifespan.



## 5 Modes

**Five selectable brightness levels.**

1. Press button for 1.2s to choose 1000/400/200/70Lm modes
2. Quick double-click to get 1Lm Moonlight mode.



# Lighting Modes

**Much Longer Runtime.**

Compatible with one 18650/18700 rechargeable Li-ion batteries.

With one XTAR 18650 3100mAh battery, it can last:



Moon light mode 1Lm  
Runtime 30D



Low 70Lm  
Runtime 28h



Mid 200Lm  
Runtime 10h



High 400Lm  
Runtime 4.5h



Turbo 1000Lm  
Runtime 2.9h





## Shell Material

Sturdy and durable.

Anodized aircraft 6N01 aluminum alloy,  
Premium HAIII military grade hard-anodized and anti-abrasive coating.

## Glass Lens

Ultra-clear Tempered Glass Lens with Anti-reflective Coating.

Common Glass: 89-92% Transmittance.

98.5  
%

Transmittance



## Waterproof Level

Waterproof IPX8  
(Underwater 2m)



## Light Intensity

Max Intensity 6200cd Beam distance 157m





## Low Heat Design

Excellent heat dissipation design.

Intelligent temperature control system and over-temperature protection to make sure your safety and easy operation.





## Temperature Control Technology

H3W maximizes the runtime of Turbo mode to 2.9hr(3100mAh) and **battery efficiency.**

Intelligently senses operating temperature and makes the adjustment.

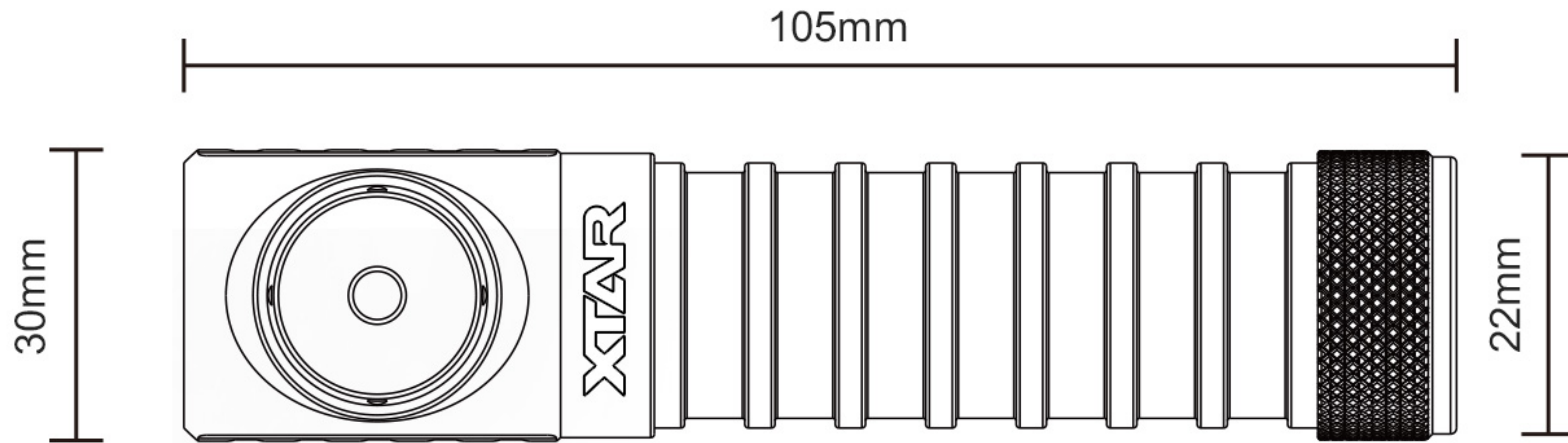


## Dual Springs Design

Gold-plated spring prevent oxidation and Poor contact.

+Reverse Polarity Protection.





## Size and Net Weight

Net Weight: 50g (Battery excluded).

Compact design and light weight.

## H3 Specification

ANSI	Gear				
Luminance	Turbo	High	Mid	Low	Moonlight
	1000 Lm	400 Lm	200 Lm	70 Lm	1 Lm
Run Time <small>(XTAR 18650 3100mAh Battery)</small>	2.9 H	4.5 H	10 H	28 H	30 D
Beam Throw Distance	157 Meters				
Max Intensity	6200 cd				
Impact Resistance	1.5 Meters				
Water Resistance	IPX8				
LED	CREE XM-L2 U3				
Battery	1*18650/18700 Lithium ion Battery				
Net Weight	50g ( Battery and Head Strap Excluded )				
Package contents	●Headlamp ●Head Strap ●Clip ●Spare O-ring ● Manual ●Warranty Card				
Optional Accessories	□Charger □ Battery				

## Packaging Contents

Headlamp, Head Strap, Clip, Spare O-ring,  
Manual, Warranty Card.

