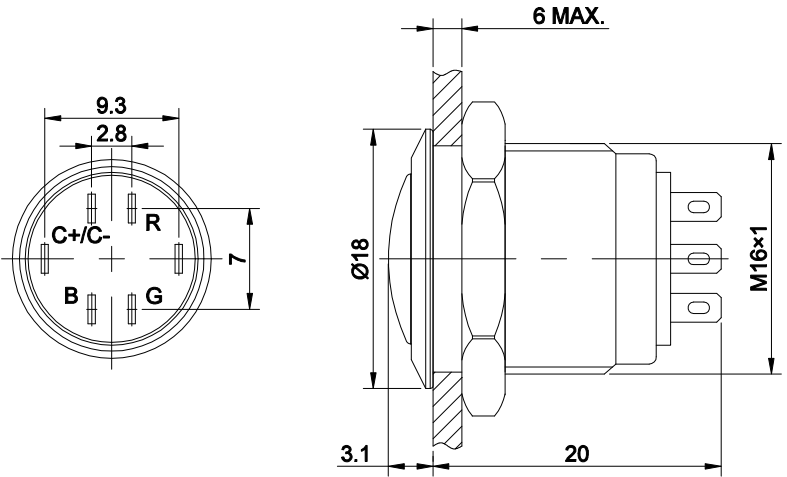
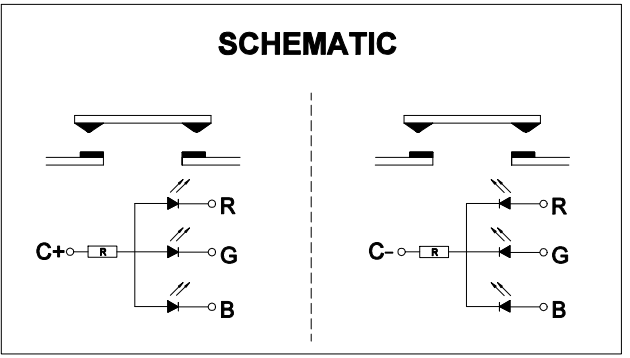
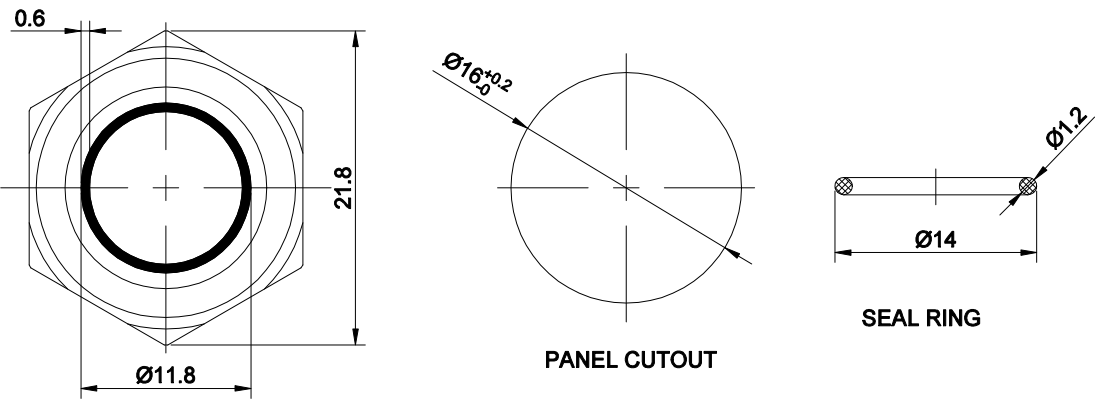


FOR 客户名称	APPROVED 客户确认签字	ATTN 销售负责人



THE SHADED AREA IS ILLUMINATED



PART NUMBER: GQ16B-10E/J/★RGB/▲/S/※

★	LED COMMON PIN	▲	LAMP VOLTAGE	※	IP CLASS
41	C-(COMMON CATHODE)	6V	DC 6V	NO LETTER	IP65
42	C+(COMMON ANODE)	12V	DC 12V	FP	IP67
		24V	DC 24V		

SPECIFICATIONS:

- SWITCH RATING: $U_i: 250V, I_{th}: 3A$.
- MECHANICAL LIFE: $\geq 1,000,000$ cycles.
- ELECTRICAL LIFE: $\geq 50,000$ cycles.
- INITIAL CONTACT RESISTANCE: $\leq 50m\Omega$.
- INSULATION RESISTANCE: $\geq 1,000M\Omega(500VDC)$.
- DIELECTRIC STRENGTH: 1,500V, RMS 50Hz, 1min.
- OPERATING TEMPERATURE: $-25^{\circ}C \sim +55^{\circ}C$ (NO FREEZING, KEEP THE AIR FLOWING AROUND PUSHBUTTON).
- OPERATING FORCE: ABOUT 4N.
- OPERATING TRAVEL: ABOUT 2mm.
- TORQUE: ABOUT 0.6Nm MAX. APPLIED TO NUT.
- PROTECTION DEGREE: IP65, (IP67 CAN BE CUSTOMIZED); IK08.
- TERMINAL TYPE: PIN TERMINAL (2 x 0.5mm).
- GENERAL TOLERANCE: 0-18mm = ± 0.25 , 18-80mm = ± 0.52 .

MATERIALS:

- CONTACT: SILVER ALLOY.
- BUTTON: STAINLESS STEEL.
- BODY: STAINLESS STEEL.
- BASE: PA.

BRAND 品牌		红波按钮制造有限公司			
ONPOW 欧宝龙®		ONPOW PUSH BUTTON MANUFACTURE CO.,LTD.			
TITLE 名称	GQ16 SERIES ANTI-VANDAL PUSH BUTTON		UNIT 单位	mm	
DWG NO. 图号	GQ16B-EJ-RGB	SCALE 比例	1.8 : 1	SIZE 图纸	A4
FILE NAME 档案名称	GQ16B-EJ-RGB .DWG	DRAWN 制图	WSB 2023/04/20	SHEET 张	1/1
				REV. 更改	1