

GN 115-NL with key



Latches

Zinc die casting / Stainless Steel,
Operation with socket key, not lockable

SPECIFICATION

Version in Zinc die casting

Types

- Type **DK**: Operation with triangular spindle (DK7)
- Type **VK7**: Operation with square spindle A/F7
- Type **VK8**: Operation with square spindle A/F8
- Type **SCH**: Operation with slot
- Type **VDE**: Operation with double bit
- Type **SK10**: Operation with hexagon A/F10

Lock housing
Zinc die casting

Locating ring

- chrome plated (Standard)
- plastic coated, black, RAL 9005, textured finish **SW**

All other parts

Steel zinc plated, blue passivated

Version in Stainless Steel

Types

- Type **DK**: Operation with triangular spindle (DK7)
- Type **VK7**: Operation with square spindle A/F7
- Type **VK8**: Operation with square spindle A/F8
- Type **SCH**: Operation with slot
- Type **VDE**: Operation with double bit

Lock housing

Stainless Steel AISI 303 **NI**

Latch

Stainless Steel AISI 304

Protection class IP 65

INFORMATION

Latches GN 115 lock by a turning operation limited to 90° which moves the locking behind the door frame. The bevels of the latch ease the closing of the door.

Latches with different cranks cover a latch distance A from 4 to 50 mm.

The operating bolt of the stainless steel version is fitted with an O-ring for sealing.

Latches GN 115 are supplied with loosely enclosed latch.

TECHNICAL INFORMATION

- List of latch types (see page 1456)
- IP Protection classes (see page A23)
- Stainless Steel characteristics (see page A26)

ACCESSORY

- Socket keys GN 119.2 (see page 1530)
- Protective caps GN 120 (see page 1486)
- Opening handles GN 120.1 (see page 1487)



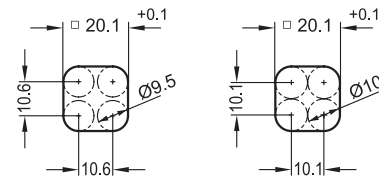
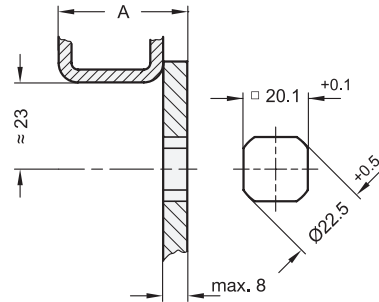
CONSTRUCTION AND ASSEMBLY INSTRUCTIONS

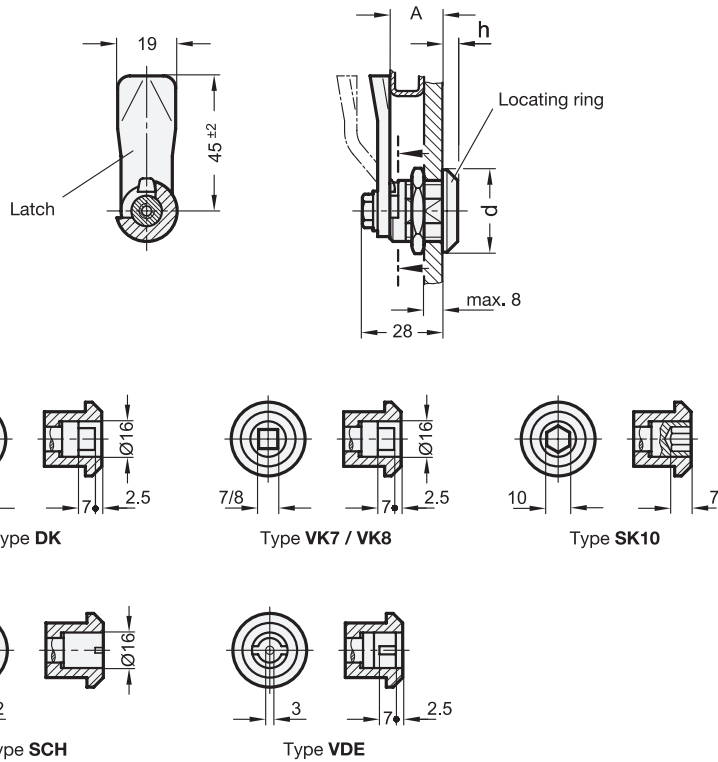
For installation, set a bore diameter in the door as shown in the outline drawing.

Once assembled, the latch is pushed through the bore diameter from the front. The hexagon nut can then be pushed over the latch from the back and bolted in place.

The **installation bore diameter** in the door leaf is usually generated by punching or laser machining in series production.

For small series and steel sheets below 2 mm thickness, the sheet metal punches GN 123 (see page 1493) are the tool of choice. The installation bore diameter can also be set by drilling / milling as shown in the outline drawings.





* Complete with type index of the latch
DK VK7 VK8 SCH VDE SK10

GN 115-NL with key

Description	Latch distance A	d	h	⚖
GN 115-*-4	4	28	4	65
GN 115-*-6	6	28	4	65
GN 115-*-8	8	28	4	70
GN 115-*-10	10	28	4	80
GN 115-*-13	13	28	4	80
GN 115-*-14	14	28	4	80
GN 115-*-16	16	28	4	80
GN 115-*-18	18	28	4	80
GN 115-*-20	20	28	4	80
GN 115-*-22	22	28	4	80
GN 115-*-24	24	28	4	80
GN 115-*-26	26	28	4	80
GN 115-*-28	28	28	4	80
GN 115-*-30	30	28	4	80
GN 115-*-32	32	28	4	80
GN 115-*-34	34	28	4	80
GN 115-*-36	36	28	4	85
GN 115-*-38	38	28	4	87
GN 115-*-40	40	28	4	87
GN 115-*-42	42	28	4	90
GN 115-*-45	45	28	4	90
GN 115-*-50	50	28	4	95

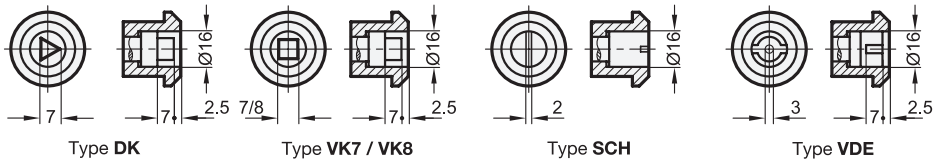
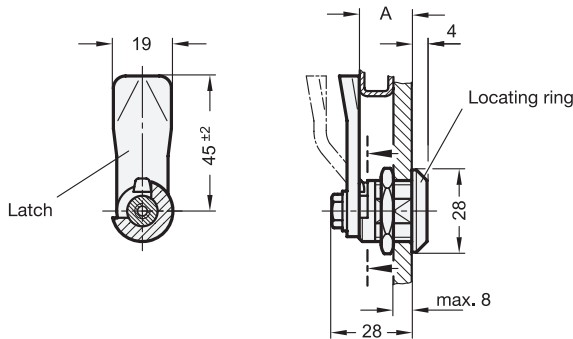
Weight type DK

GN 115-NL-SW with key

Description	Latch distance A	d	h	⚖
GN 115-*-4-SW	4	28	4	50
GN 115-*-6-SW	6	28	4	50
GN 115-*-8-SW	8	28	4	70
GN 115-*-10-SW	10	28	4	70
GN 115-*-13-SW	13	28	4	75
GN 115-*-14-SW	14	28	4	75
GN 115-*-16-SW	16	28	4	75
GN 115-*-18-SW	18	28	4	78
GN 115-*-20-SW	20	28	4	78
GN 115-*-22-SW	22	28	4	80
GN 115-*-24-SW	24	28	4	80
GN 115-*-26-SW	26	28	4	80
GN 115-*-28-SW	28	28	4	80
GN 115-*-30-SW	30	28	4	80
GN 115-*-32-SW	32	28	4	80
GN 115-*-34-SW	34	28	4	80
GN 115-*-36-SW	36	28	4	85
GN 115-*-38-SW	38	28	4	87
GN 115-*-40-SW	40	28	4	90
GN 115-*-42-SW	42	28	4	90
GN 115-*-45-SW	45	28	4	95
GN 115-*-50-SW	50	28	4	95

Weight type DK





* Complete with type index of the latch

DK VK7 VK8 SCH VDE

GN 115-NL-NI with key

STAINLESS STEEL

Description	Latch distance A	ΔΔ
GN 115-*-6-NI	6	80
GN 115-*-10-NI	10	80
GN 115-*-14-NI	14	80
GN 115-*-18-NI	18	80
GN 115-*-20-NI	20	80
GN 115-*-22-NI	22	80
GN 115-*-24-NI	24	80
GN 115-*-26-NI	26	80
GN 115-*-28-NI	28	80
GN 115-*-30-NI	30	80
GN 115-*-34-NI	34	83
GN 115-*-38-NI	38	100
GN 115-*-40-NI	40	100
GN 115-*-50-NI	50	100

Weight type DK