

Spring-loaded test probe

GKS-113 302 400 A 0602

Item GKS-113-0136

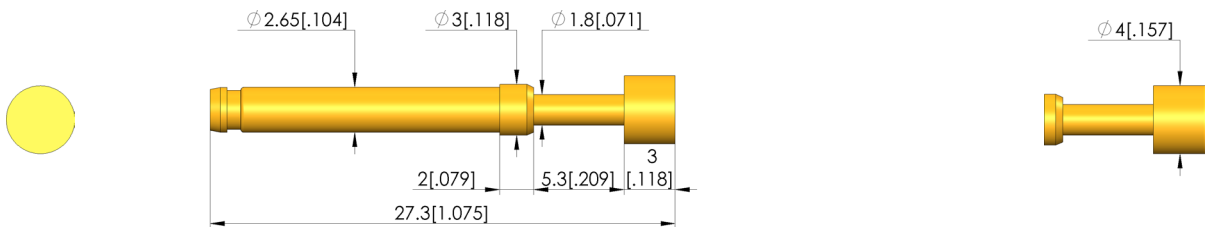
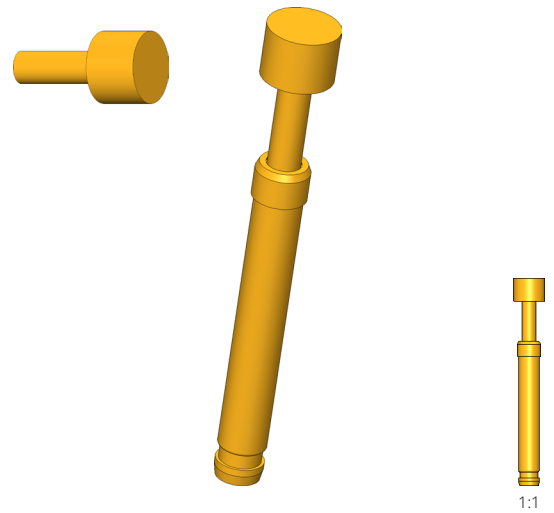


GO TO PRODUCT

ingun[®]

Partner for Future Technology

- Robust test probes with distinctive collar (stop) on the barrel
- Optimum adjustment of the stroke ratios in the test fixture: The collar is available in different heights, which, in combination with the receptacles, allows a range of installation heights
- Stainless steel versions for temperatures from -100 °C up to +200 °C available



General data

| | |
|---------------------------------|---|
| Product group: | ICT / FCT (in-circuit test and function test) |
| Sub-product group: | Metric standard |
| Series: | GKS-113 |
| Grid: | 4.5 mm [177 mil] |
| Contacting from: | Pin, Pfosten, Bead, Flachkontakt |
| Magnetic: | Yes |
| Installation type: | Plug-in |
| Quick-exchange system: | Yes |
| Adjustable installation height: | No |
| Non-rotating: | No |
| Compatible receptacle(s): | KS-113, KS-113 23 |
| Min. temperature: | - 40 °C [- 104 °F] |
| Max. temperature: | + 80 °C [+ 176 °F] |
| RoHS-compliant: | RoHS-3;6c |

Electrical data

| | |
|--|----------|
| Current load capacity / rated current: | 5 A |
| Typical resistance (Ri): | <30 mOhm |

Mechanical data

| | |
|---------------------------------|-------------------|
| Total length: | 27.3 mm [1.07 in] |
| Barrel diameter: | 2.65 mm [.104 in] |
| Maximum stroke: | 5.3 mm [.208 in] |
| Spring pre-load: | 0.21 N [.755 ozf] |
| Collar height: | 02 |
| Spring force at working stroke: | 0.6 N [2.15 ozf] |
| Recommended working stroke: | 4 mm [.157 in] |

Tip style data

| | |
|---------------------|----------------|
| Tip style: | 02 flat |
| Tip diameter: | 4 mm [.157 in] |
| Tip style surface: | A gold |
| Tip style material: | 3 CuBe |

Spring-loaded test probe GKS-113 302 400 A 0602

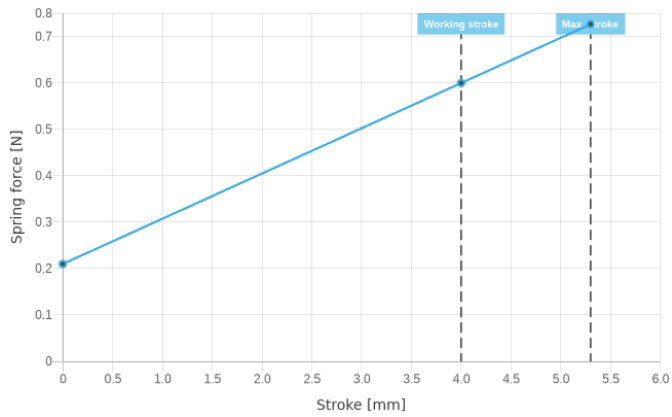
Item GKS-113-0136



GO TO PRODUCT

ingun[®]

Partner for Future Technology



INGUN Prüfmittelbau GmbH

Max-Stromeyer-Straße 162
78467, Constance, Germany
Phone +49 7531 8105-0
Customer hotline +49 7531 8105-888
Fax +49 7531 8105-65
info@ingun.com



Prices and delivery times on request.
Technical changes reserved. 03/24_GB

Learn more about
ICT/FCT Test probes



ICT/FCT TEST PROBES

ingun.com