



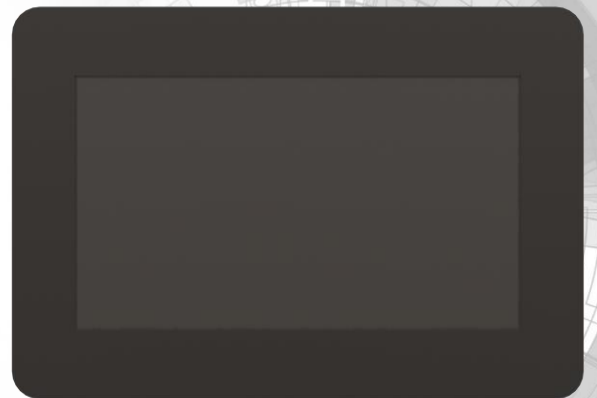
**4D SYSTEMS**  
TURNING TECHNOLOGY INTO ART

gen4-FTDI Displays Series

---

# DATASHEET

DOCUMENT DATE: 2<sup>nd</sup> November 2020  
DOCUMENT REVISION: 1.2



**gen4-FT812-43T** (4.3" Resistive touch)

**gen4-FT812-50T** (5.0" Resistive touch)

**gen4-FT812-70T** (7.0" Resistive touch)

**gen4-FT813-43CT** (4.3" Capacitive touch)

**gen4-FT813-43CT-CLB** (4.3" Capacitive touch with Cover Lens Bezel)

**gen4-FT813-50CT-CLB** (5.0" Capacitive touch with Cover Lens Bezel)

**gen4-FT813-70CT-CLB** (7.0" Capacitive touch with Cover Lens Bezel)

Uncontrolled Copy when printed or downloaded.  
Please refer to the 4D Systems website for the latest  
Revision of this document

## Table of Contents

1. Description .....	3
2. Features .....	3
3. Pin Configuration .....	4
4. Hardware Interface – Pins .....	5
4.1. Pin Detail.....	5
4.2. Connection Detail .....	6
5. Audio Filter and Amplifier Reference Circuit .....	6
6. Display Module Numbers .....	7
7. Cover Lens Bezel – Tape Spec .....	7
8. Mechanical Details 4.3” (Resistive Touch without Cover Lens Bezel) .....	8
9. Mechanical Details 5.0” (Resistive Touch without Cover Lens Bezel) .....	9
10. Mechanical Details 7.0” (Resistive Touch without Cover Lens Bezel) .....	10
11. Mechanical Details 4.3” (Capacitive Touch without Cover Lens Bezel) .....	11
12. Mechanical Details 4.3” (Capacitive Touch with Cover Lens Bezel) .....	12
13. Mechanical Details 5.0” (Capacitive Touch with Cover Lens Bezel) .....	13
14. Mechanical Details 7.0” (Capacitive Touch with Cover Lens Bezel) .....	14
15. Schematic Details (HW REV 1.3) .....	15
16. Specifications .....	16
17. LCD Timing Details .....	18
18. LCD Timing Characteristic.....	19
19. Hardware Revision History .....	21
20. Datasheet Revision History .....	21
21. Legal Notice.....	22
22. Contact Information .....	22

## 1. Description

The gen4-FT812/gen4-FT813 display is an embedded SPI display from 4D Systems. It features a Resistive Touch panel or Capacitive Touch panel display with an integrated FTDI FT81x Video Engine. The FT812 is for Resistive Touch models, and the FT813 is for Capacitive Touch models.

It is a powerful SPI Display which enables a SPI host to be connected directly to the display, providing a powerful set of graphics features to the host using the on board FTDI FT81x Video Engine.

This display provides 4 in one functionality, a TFT LCD Display (4.3"/5.0"/7.0), Audio with amplifier enable, Resistive/Capacitive Touch screen, and an integrated Video Engine. This combination built directly into the screen allows for simple integration into a number of applications.

The FT81x Video Engine runs the FTDI version of EVE (Embedded Video Engine), which targets high quality graphics displays with Widget support, designed to offload the Host Processor and provide a variety of graphics features.

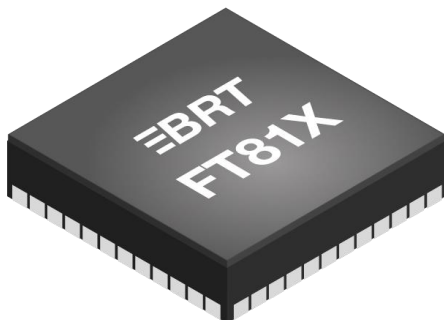
**All software support for the FT812/FT813 is provided directly from FTDI. Hardware support is provided by 4D Systems.**

**To check for the product information of the FT81x graphics controller IC, follow this link:**

<https://www.ftdichip.com/Products/ICs/FT81X.html>

**For the FT81X Embedded Video Engine Datasheet, you may follow this link:**

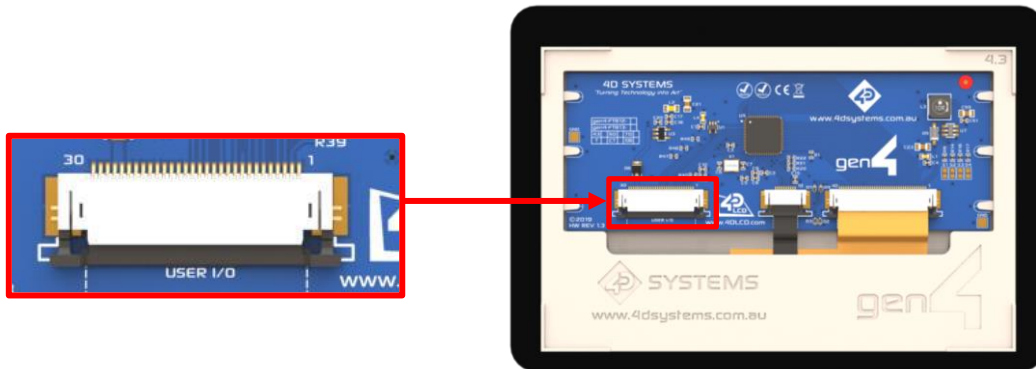
[https://brtchip.com/wp-content/uploads/Support/Documentation/Datasheets/ICs/EVE/DS\\_FT81x.pdf](https://brtchip.com/wp-content/uploads/Support/Documentation/Datasheets/ICs/EVE/DS_FT81x.pdf)



## 2. Features

- 480x272 Resolution (4.3")
- 800x480 Resolution (5.0" & 7.0")
- TFT Screen with an integrated 4-wire Resistive Touch Panel (T), or Capacitive Touch Panel (CT) with Cover Lens Bezel (CLB).
- Mono PWM Audio output with separate amplifier enable, designed to be connected directly to a simple filter and external amplifier circuit.
- On board FTDI FT81x Video Engine.
- SPI Interface to Host Processor/Controller, up to 30Mhz (Mode 0 only).
- Programmable Interrupt Controller, with dedicate Interrupt pin to Host.
- 64 voice polyphonic sound synthesizer.
- PWM dimming control for LCD backlight
- Power mode control to put the FT812/FT813 into sleep and standby modes, with dedicated power down pin to Host.
- JPEG and motion-JPEG decode
- Single 5.0V supply
- 3.3V SPI Bus, Audio Output and amplifier Enable, along with GPIO (not 5V tolerant).
- Module dimensions:
  - (4.3" T) 127.6 x 69.3 x 7.9 mm.
  - (5.0" T) 142.8 x 77.9 x 7.8 mm.
  - (7.0" T) 187 x 102.1 x 7.8 mm.
  - (4.3" CT) 127.6 x 69.3 x 8.1 mm.
  - (4.3" CT-CLB) 123 x 84.5 x 8.4 mm.
  - (5.0" CT/CLB) 140.7 x 93.8 x 8.3 mm.
  - (7.0" CT/CLB) 190.1 x 121.9 x 9 mm.
- Touch Area:
  - 4.3" - 95.04 x 53.86mm
  - 5.0" - 108 x 64.80 mm
  - 7.0" - 153.84mm x 85.63 mm
- 4 x 4.0mm Mounting holes on Resistive Touch modules. 3M Adhesive for Capacitive Touch modules on the rear of the CLB (Cover Lens Bezel) periphery.
- RoHS and CE compliant.

### 3. Pin Configuration



gen4-FT81x 30-way FFC interface

Pin	Symbol	I/O	Description
1	GND	P	Power Ground
2	SPI_PD	I	Power Down Input from Host
3	SPI_INT	O	Configurable Interrupt to Host
4	SPI_CS	I	SPI Chip Select from Host
5	GND	P	Power Ground
6	SPI_MOSI	I	SPI Data Input from Host
7	SPI_MISO	O	SPI Data Output to Host
8	SPI_SCK	I	SPI Clock Input from Host
9	GND	P	Power Ground
10	AUD_PWM	O	Audio Output PWM, requires simple filter and then to Amplifier
11	GND	P	Power Ground
12	AUD_PD	O	Audio Shutdown Output to Amplifier
13	GND	P	Power Ground
14	GPIO0	I/O	General Purpose IO pin
15	GPIO2	I/O	General Purpose IO pin
16	GPIO3	I/O	General Purpose IO pin
17	GND	P	Power Ground
18	-	-	Not Connected
19	-	-	Not Connected
20	-	-	Not Connected
21	GND	P	Power Ground
22	-	-	Not Connected
23	-	-	Not Connected
24	GND	P	Power Ground
25	GND	P	Power Ground
26	+5V	P	+5V Supply Pin
27	+5V	P	+5V Supply Pin
28	-	-	Not Connected
29	-	-	Not Connected
30	GND		Power Ground

## 4. Hardware Interface – Pins

The gen4-FT81x Display uses 30-way pin FFC which you can breakout to communicate with a microcontroller.

### 4.1. Pin Detail

#### Pin 1,5,9,11,13,17,21,24,25,30: GND – Power Ground

This is the Power Ground for the gen4-FT81x Display. This should be connected to the GND associated with the Pin 26/27 5V Power Input pin.

#### Pin 2: SPI\_PD – Power Down Input

This is the Power Down Input for the Display, which can be triggered by the Host Processor if the display is required to be powered down, either from a standby state or from its active state.

This is pulled high to 3.3V by the display module and is Active Low.

Holding this pin low for >5mS will cause the FT81x Video Engine to shut down and go into a powered down state. Releasing this low or driving the pin High will cause the display to start up again.

It is also possible to reset the display using this pin, by driving it low for 5mS and then high again.

#### Pin 3: SPI\_INT – Configurable Interrupt Output

This is the Configurable Interrupt Output from the display, which can be configured to be trigger by a number of events and is used to interrupt the Host Processor when the interrupt event occurs.

This is an Open Drain output, which is pulled high to 3.3V by the display module and is Active Low.

#### Pin 4: SPI\_CS – SPI Chip Select Input

This is the SPI Chip Select Input for the Display, which comes from the Host processor. This is 3.3V logic and is not 5V tolerant, please only connect 3.3V compatible devices to this pin.

#### Pin 6: SPI\_MOSI – SPI Data Input

This is the SPI Data Input for the Display, which comes from the Host processor. This is 3.3V logic and is not 5V tolerant, please only connect 3.3V compatible devices to this pin.

#### Pin 7: SPI\_MISO – SPI Data Output

This is the SPI Data Output from the Display, which goes to the Host processor. This is 3.3V logic and is not 5V tolerant, please only connect 3.3V compatible devices to this pin.

#### Pin 8: SPI\_SCK – SPI Clock

This is the Clock Input for the SPI Bus which comes from the host. This is 3.3V logic and is not 5V tolerant, please only connect 3.3V compatible devices to this pin. The FT812/FT813 can run up to a maximum of 30Mhz on the SPI Bus.

#### Pin 10: AUDIO\_PWM – Audio Output

This is the Audio Output from the FT81x Video Engine, which is a Push/Pull PWM Output capable of Source/Sink of 16mA of current.

This pin is designed to be passed into a simple filter circuit and then passed to an amplifier for best results.

**Note:** The gen4-FT81x display module does not have a built-in amplifier. It needs to be connected to an external amplifier to utilize the sound functionality.

Please refer to the example schematic in Section 5 which provides the recommended circuit to connect to this pin.

#### Pin 12: AUDIO\_PD – Audio Shutdown

This is the Audio Shutdown output from the FT81x Video Engine, which is designed to enable/disable an external audio amplifier based on the events occurring on the FT812/FT813.

This pin is actually the GPIO01 General Purpose I/O on the FT812/FT813, so could be used for an alternative function if required.

#### Pin 14: GPIO0 – General Purpose Pin

#### Pin 15: GPIO2 – General Purpose Pin

#### Pin 16: GPIO3 – General Purpose Pin

#### Pin 26,27: 5V - Power Input

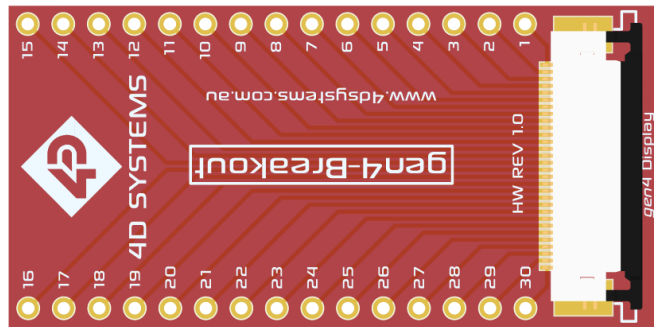
Module supply voltage input pins This pin should be connected to a stable supply voltage in the range of 4.5 Volts to 5.5 Volts DC. Nominal operating voltage is 5.0 Volts. A 5V to 3.3V regulator is connected to the FT81x Video chip.

**Please refer to the FT81x Datasheet from FTDI, which is linked from the gen4-FT812/FT813 Product Page on the 4D Systems website, for more information.**

## 4.2. Connection Detail

The gen4-FT81x Display module features a 30-way flexible FPC, which is designed to connect into a custom board that maps the signal according to the pin configuration specified above.

The user can also use the breakout board which the 4D Systems has made and connect it on their own Host Processor / MCU.

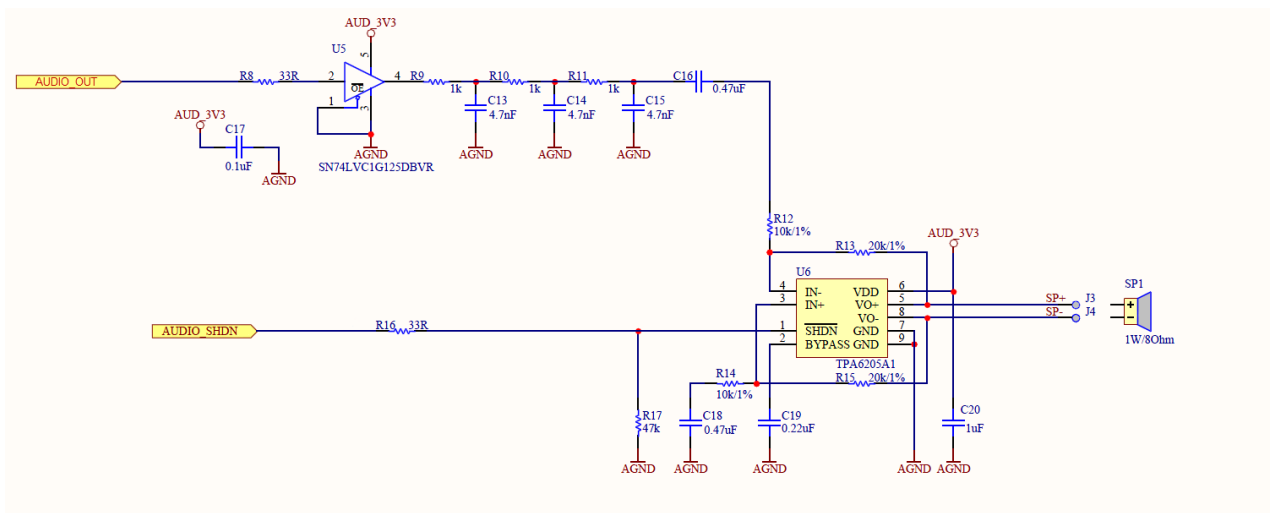


The gen4-FT81x Display module with a breakout board connects to a target Host Processor / MCU using a 3.3V SPI Bus, and also features an Interrupt Pin and Shutdown Pin for applications which can make use of them.

The Display can generate PWM audio, both Mono PCM and Polyphonic MIDI, which exits the display module via the 30-way FPC and should then be fed into a simple filter and amplifier circuit. This circuit is shown in Section 5.0 and should be treated as the recommended circuit, however alternative circuits are also possible.

Please refer to the FTDI FT81x Datasheet and website for more specific information on how to utilize these features.

## 5. Audio Filter and Amplifier Reference Circuit



## 6. Display Module Numbers

The following is a breakdown on the part numbers and what they mean.

### Example:

gen4-FT812-43T

gen4-FT813-70CT-CLB

gen4	- gen4 Display Family
FT812	- Touch Display Controller IC
FT813	- Touch Display Controller IC
43	- Display size (4.3")
70	- Display size (7.0")
T	- Resistive Touch
CT	- Capacitive Touch
CLB	- Cover Lens Bezel

- Cover Lens Bezels (CLB) are glass fronts for the display module with overhanging edges, which allow the display module to be mounted directly into a panel using special adhesive on the overhanging glass. These are available for Capacitive Touch only.
- Resistive Touch models are not available in CLB, as a CLB is made of glass and resistive touch relies on mechanical flexing of a membrane to trigger touch.

## 7. Cover Lens Bezel – Tape Spec

The perimeter of the CLB display modules features double sided adhesive tape, designed to stick directly onto a panel, enclosure, box etc without the need for any mounting screws or hardware.

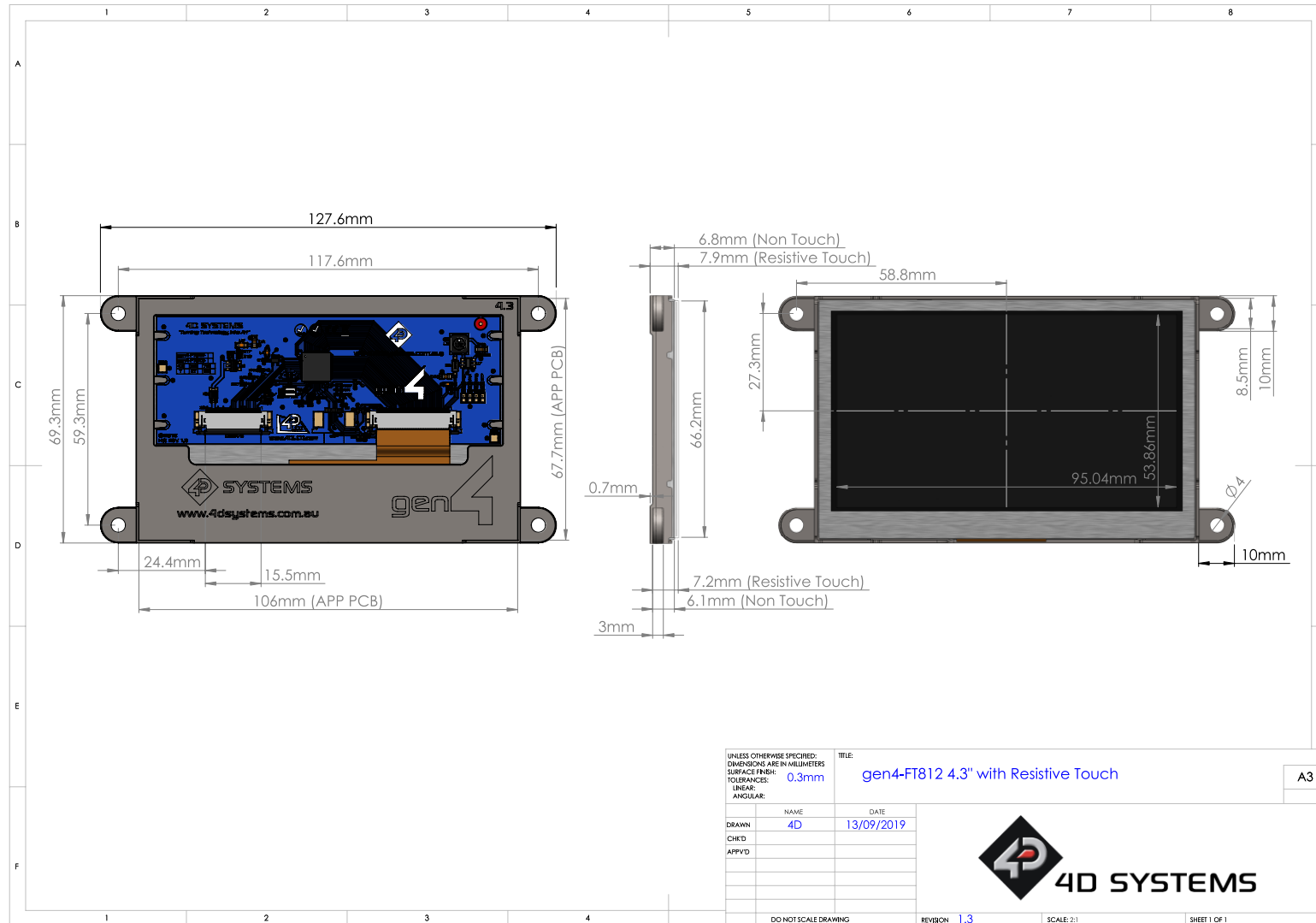
The tape used is 3M 9495LE tape, which uses the well-known and strong 3M 300LSE adhesive.

The double sided adhesive has a thickness of 0.17mm once the backing has been removed.

More information on this adhesive can be found on the 3M website.

<http://multimedia.3m.com/mws/media/7716830/3mtm-double-coated-tapes-9474le-9495le.pdf>

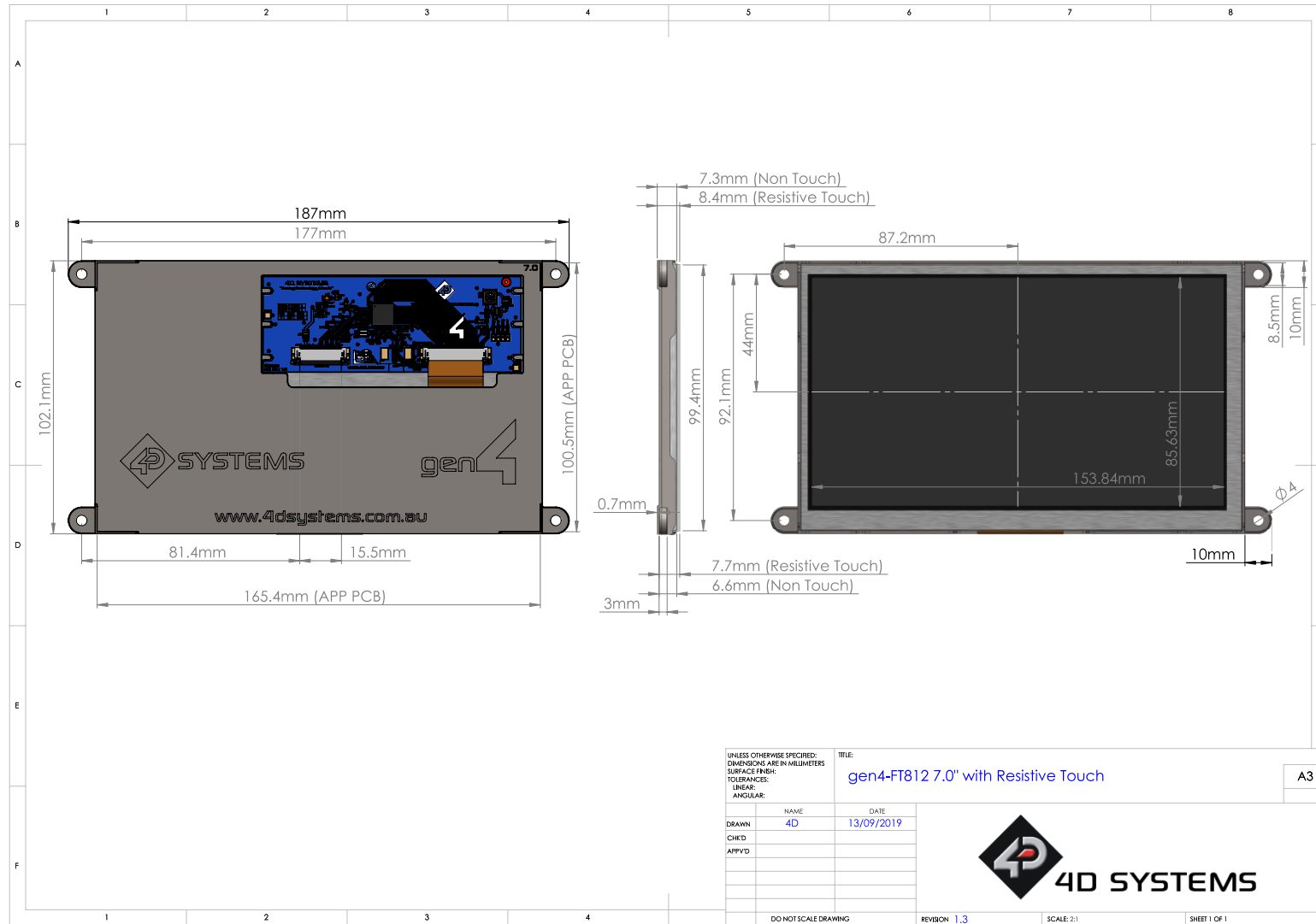
8. Mechanical Details 4.3" (Resistive Touch without Cover Lens Bezel)



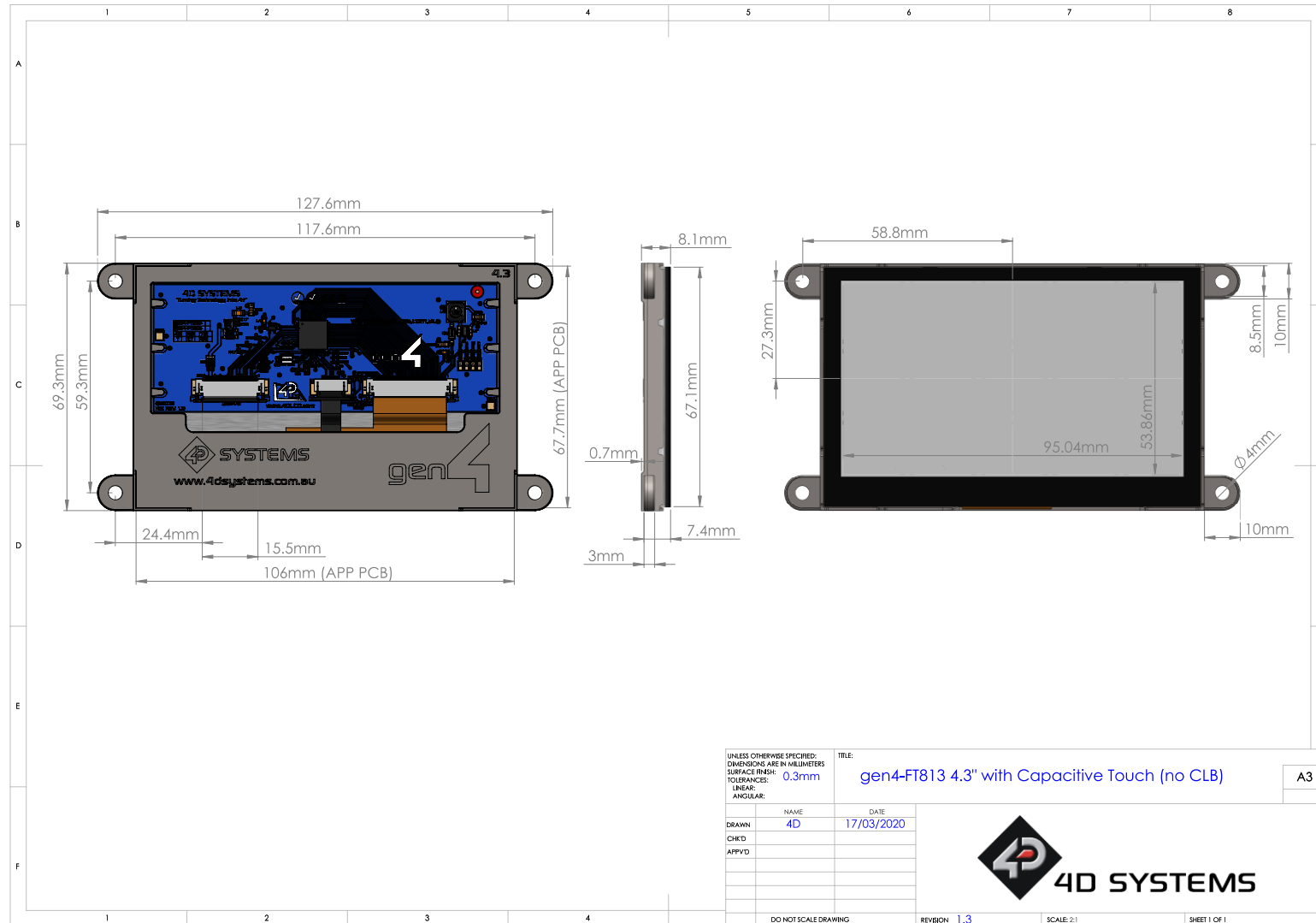




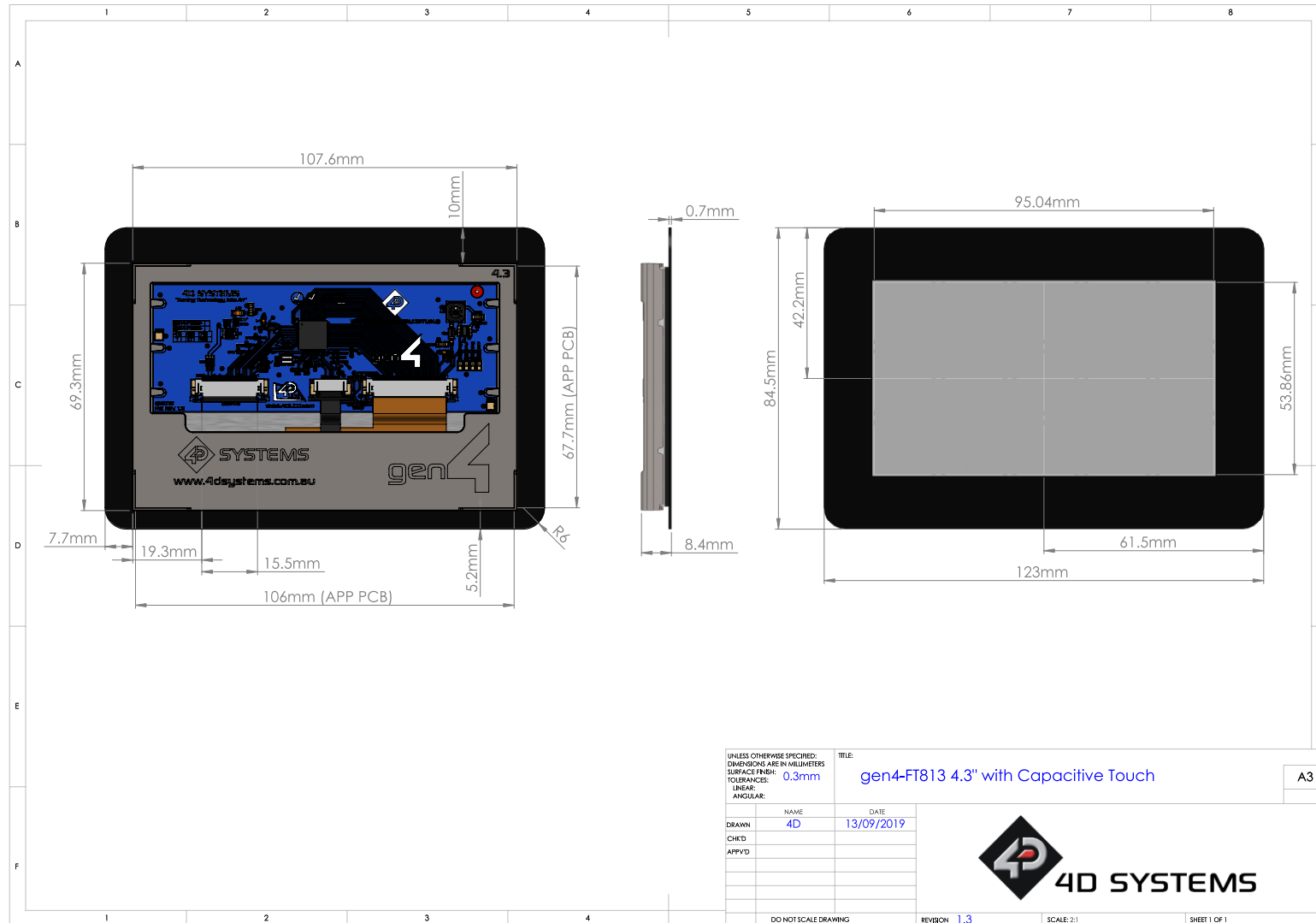
10. Mechanical Details 7.0" (Resistive Touch without Cover Lens Bezel)



11. Mechanical Details 4.3" (Capacitive Touch without Cover Lens Bezel)



12. Mechanical Details 4.3" (Capacitive Touch with Cover Lens Bezel)

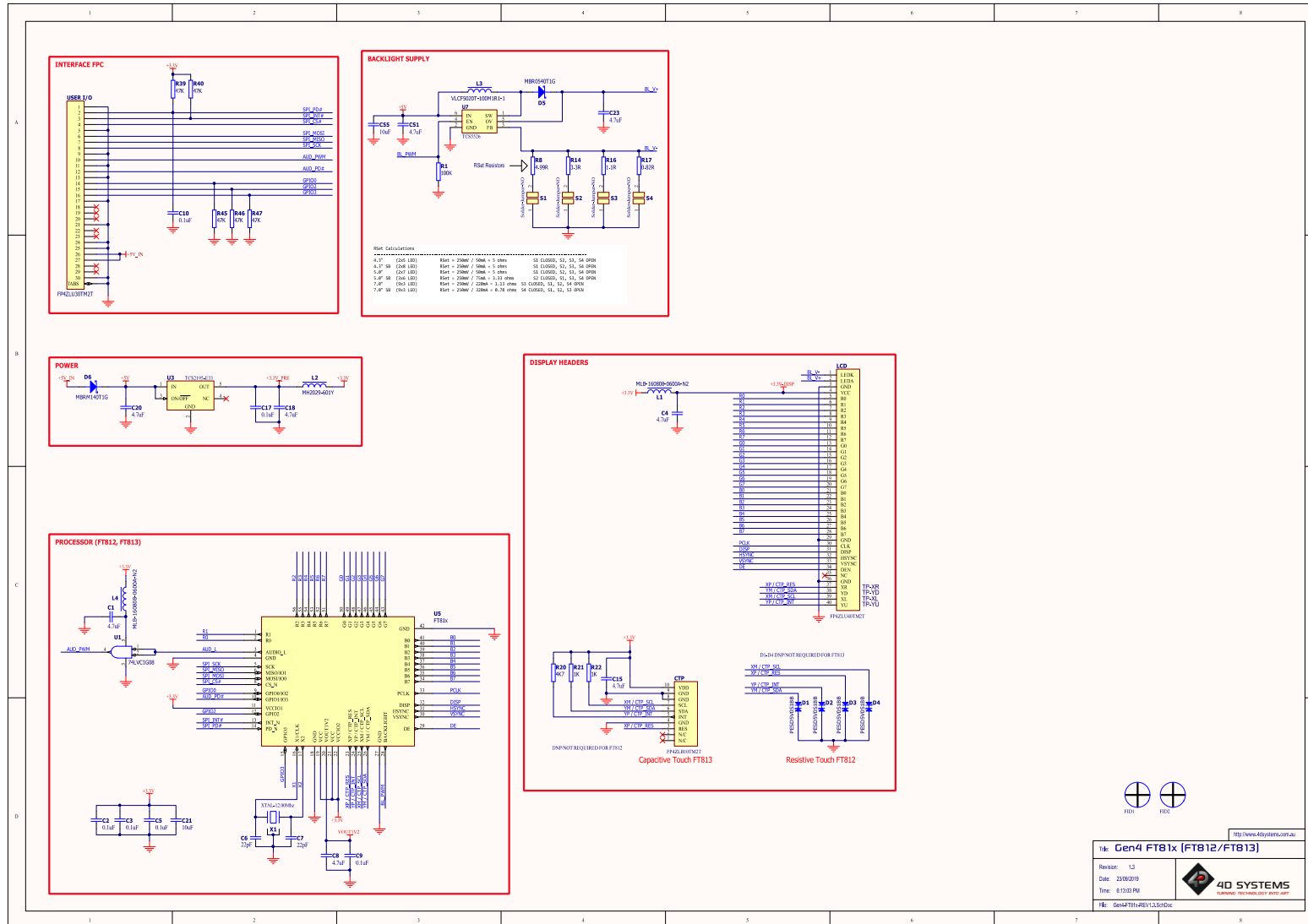


13. Mechanical Details 5.0" (Capacitive Touch with Cover Lens Bezel)





15. Schematic Details (HW REV 1.3)



## 16. Specifications

### ABSOLUTE MAXIMUM RATINGS

Operating ambient temperature .....	-20°C to +70°C
Storage temperature .....	-30°C +80°C

**NOTE:** Stresses above those listed here may cause permanent damage to the device. This is a stress rating only and functional operation of the device at those or any other conditions above those indicated in the recommended operation listings of this specification is not implied. Exposure to maximum rating conditions for extended periods may affect device reliability.

### RECOMMENDED OPERATING CONDITIONS

Parameter	Conditions	Min	Typ	Max	Units
Supply Voltage (VCC)		4.5	5.0	6.0	V
Operating Temperature		-10	--	+60	°C
Input Low Voltage	Refer FT81x Datasheet	--	--	0.8	V
Input High Voltage	Refer FT81x Datasheet	2.0	--	--	V
Output Low Voltage	Iol = 5mA (Refer FT81x Datasheet)	--	--	0.4	V
Output High Voltage	Ioh = 5mA (Refer FT81x Datasheet)	2.9	--	--	V

### GLOBAL CHARACTERISTICS BASED ON OPERATING CONDITIONS

Parameter	Conditions	Min	Typ	Max	Units
Supply Current (ICC) (5V Supply used based on the gen4-FT81x-xxx module)	gen4-FT812-43T	--	360	--	mA
	gen4-FT813-43CT	--	365	--	mA
	gen4-FT813-43CT-CLB	--	365	--	mA
	gen4-FT812-50T	--	520	--	mA
	gen4-FT813-50CT-CLB	--	525	--	mA
	gen4-FT812-70T	--	830	--	mA
	gen4-FT813-70CT-CLB	--	835	--	mA
Display Endurance	Hours of operation, measured to when display is 50% original brightness	30000	--	--	H
Touch Screen Endurance (Resistive Touch)	Number of touches/hits with a 12.55mm tip at a rate of 2x per second with 250gf force	--	1M	--	Touches
	Slide stylus on screen, 100gf force, 60mm/s speed with a 0.8mm polyacetal tip stylus pen	--	100K	--	Slides
Touch Screen Transparency	Resistive Touch	82	--	--	%
	Capacitive Touch	90	--	--	%
Touch Screen Operational Force (Resistive Touch)	Only use Finger or Stylus, do not use anything sharp or metal	20	--	100	Gf

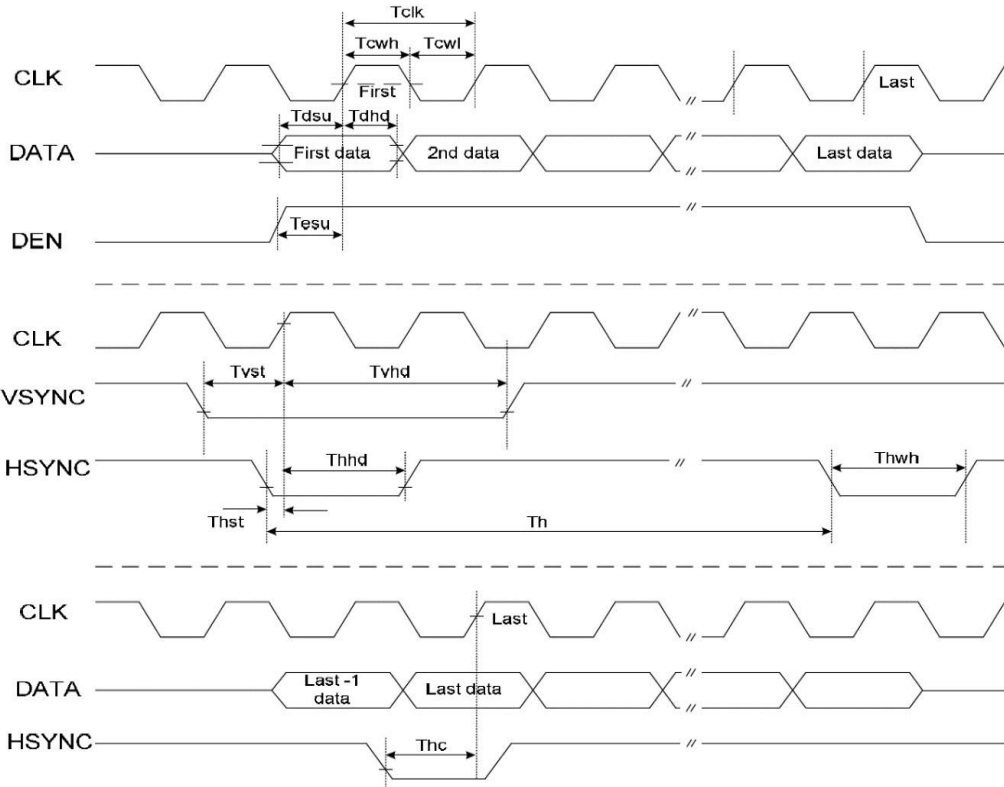


LCD DISPLAY INFORMATION		
Parameter	Conditions	Specification
Display Type		TFT Transmissive LCD
Display Size		4.3", 5.0", 7.0" Diagonal
Display Resolution	4.3"	480 x 272 (Landscape Viewing)
	5" & 7"	800 x 480 (Landscape Viewing)
Display Brightness (Max. Brightness)	gen4-FT812-43T	400 cd/m <sup>2</sup>
	gen4-FT813-43CT	475 cd/m <sup>2</sup>
	gen4-FT813-43CT-CLB	475 cd/m <sup>2</sup>
	gen4-FT812-50T	400 cd/m <sup>2</sup>
	gen4-FT813-50CT-CLB	475 cd/m <sup>2</sup>
	gen4-FT812-70T	400 cd/m <sup>2</sup>
	gen4-FT813-70CT-CLB	475 cd/m <sup>2</sup>
Display Contrast Ratio	Typical	500:1
Display Viewing Angles	Above Centre	70 Degrees
	Below Centre	60 Degrees/50 Degrees for 5.0"
	Left of Centre	70 Degrees
	Right of Centre	70 Degrees
Display Viewing Direction		12 o'clock Display (Optimal viewing is from above when in Landscape/Wide mode)
Display Backlighting	gen4-FT81x-43xx Model	2x5 Parallel LED's
	gen4-FT81x-50xx Model	2x6 Parallel LED's
	gen4-FT81x-70xx Model	9x3 Parallel LED's
Pixel Pitch	4.3"	0.198 x 0.198mm (Square pixels)
	5.0"	0.135 x 0.135mm (Square pixels)
	7.0"	0.1925 x 0.179mm (non-Square pixels)
Pixel Density	4.3"	128 DPI/PPI
	5.0"	183 DPI/PPI
	7.0"	132 DPI/PPI (Horizontal) 142 DPI/PPI (Vertical)

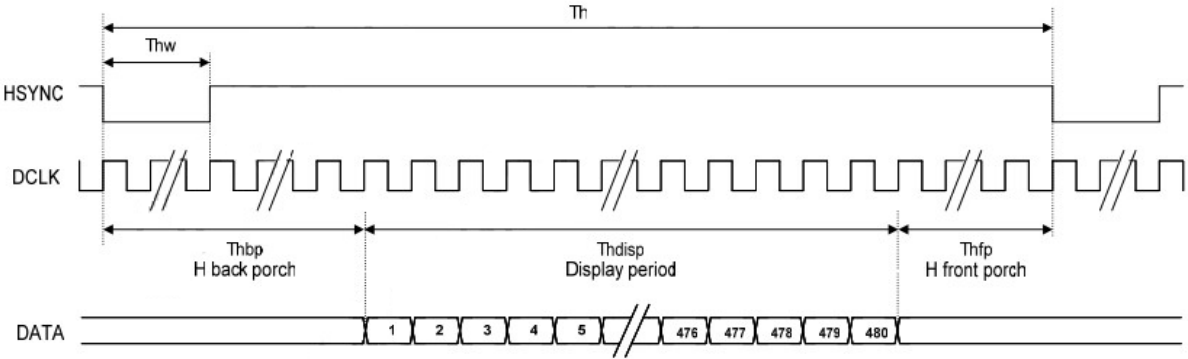
17. LCD Timing Details

LCD Timing Chart						
Parameter	Symbol	Min	Typ	Max	Units	Conditions
CLK Clock Time	Tclk	1/Max(FCLK)	-	1/Min(FCLK)	ns	-
CLK Pulse Duty	Tchw	40	50	60	%	TCLK
HSYNC to CLK	Thc	-	-	1	CLK	-
HSYNC Width	Thwh	1	-	-	CLK	-
VSYNC Width	Tvwh	1	-	-	ns	-
HSYNC Period Time	Th	-	-	-	ns	-
VSYNC Set-up Time	Tvst	12	-	-	ns	-
VSYNC Hold Time	Tvhd	12	-	-	ns	-
HSYNC Setup Time	Thst	12	-	-	ns	-
HSYNC Hold Time	Thhd	12	-	-	ns	-
Data Set-up Time	Tdsu	12	-	-	ns	D00~D23 to CLK
Data Hold Time	Tdhd	12	-	-	ns	D00~D23 to CLK
DEN Set-up Time	Tesu	12	-	-	ns	DEN to CLK

Timing parameter (VDD=3.3V, GND=0V, Ta=25°C)



18. LCD Timing Characteristic



Sync Mode Timing Diagram

4.3" LCD Timing Characteristic							
ITEM	SYMBOL	MIN	TYP	MAX	UNIT		
DCLK Frequency	Fclk	8	9	12	MHz		
DCLK Period	Tclk	83	111	125	ns		
Hsync	Period Time	$T_h$	485	531	598	DCLK	
	Display Period	$T_{hdisp}$	-	480	-	DCLK	
	Back Porch	$T_{hbp}$	3	43	43	DCLK	By H Blanking Setting
	Front Porch	$T_{hfp}$	2	8	75	DCLK	
	Pulse Width	$T_{hw}$	2	4	43	DCLK	
Vsync	Period Time	$T_v$	276	292	321	H	
	Display Period	$T_{vdisp}$	-	272	-	H	
	Back Porch	$T_{vbp}$	2	12	12	H	By V Blanking Setting
	Front Porch	$T_{vfp}$	2	8	37	H	
	Pulse Width	$T_{vw}$	2	4	12	H	

5.0" LCD Timing Characteristic							
ITEM	SYMBOL	MIN	TYP	MAX	UNIT		
DCLK Frequency	Fclk	-	33.3	50	MHz		
DCLK Period	Tclk	-	-	-	ns		
Hsync	Period Time	$T_h$	862	1056	1200	DCLK	
	Display Period	$T_{hdisp}$	-	800	-	DCLK	
	Back Porch	$T_{hbp}$	46	46	46	DCLK	By H Blanking Setting
	Front Porch	$T_{hfp}$	16	210	354	DCLK	
	Pulse Width	$T_{hw}$	1	2	40	DCLK	
Vsync	Period Time	$T_v$	510	525	650	H	
	Display Period	$T_{vdisp}$	-	480	-	H	
	Back Porch	$T_{vbp}$	23	23	23	H	By V Blanking Setting
	Front Porch	$T_{vfp}$	7	22	147	H	
	Pulse Width	$T_{vw}$	1	10	20	H	

7.0" LCD Timing Characteristic							
ITEM	SYMBOL	MIN	TYP	MAX	UNIT		
DCLK Frequency	Fclk	20	33.3	50	MHz		
DCLK Period	Tclk	-	-	-	ns		
Hsync	Period Time	Th	908	928	1088	DCLK	
	Display Period	Thdisp	-	800	-	DCLK	
	Back Porch	Thbp	1	40	87	DCLK	By H Blanking Setting
	Front Porch	Thfp	20	40	200	DCLK	
	Pulse Width	Thw	1	4	43	DCLK	
Vsync	Period Time	Tv	517	525	712	H	
	Display Period	Tvdisp	-	480	-	H	
	Back Porch	Tvbp	29	31	31	H	By V Blanking Setting
	Front Porch	Tvfp	5	13	200	H	
	Pulse Width	Tvw	1	1	3	H	



## 21. Legal Notice

### Proprietary Information

The information contained in this document is the property of 4D Systems Pty. Ltd. and may be the subject of patents pending or granted, and must not be copied or disclosed without prior written permission.

4D Systems endeavours to ensure that the information in this document is correct and fairly stated but does not accept liability for any error or omission. The development of 4D Systems products and services is continuous and published information may not be up to date. It is important to check the current position with 4D Systems. 4D Systems reserves the right to modify, update or make changes to Specifications or written material without prior notice at any time.

All trademarks belong to their respective owners and are recognised and acknowledged.

### Disclaimer of Warranties & Limitation of Liability

4D Systems makes no warranty, either expressed or implied with respect to any product, and specifically disclaims all other warranties, including, without limitation, warranties for merchantability, non-infringement and fitness for any particular purpose.

Information contained in this publication regarding device applications and the like is provided only for your convenience and may be superseded by updates. It is your responsibility to ensure that your application meets with your specifications.

Images and graphics used throughout this document are for illustrative purposes only. All images and graphics used are possible to be displayed on the 4D Systems range of products, however the quality may vary.

In no event shall 4D Systems be liable to the buyer or to any third party for any indirect, incidental, special, consequential, punitive or exemplary damages (including without limitation lost profits, lost savings, or loss of business opportunity) arising out of or relating to any product or service provided or to be provided by 4D Systems, or the use or inability to use the same, even if 4D Systems has been advised of the possibility of such damages.

4D Systems products are not fault tolerant nor designed, manufactured or intended for use or resale as on line control equipment in hazardous environments requiring fail – safe performance, such as in the operation of nuclear facilities, aircraft navigation or communication systems, air traffic control, direct life support machines or weapons systems in which the failure of the product could lead directly to death, personal injury or severe physical or environmental damage ('High Risk Activities'). 4D Systems and its suppliers specifically disclaim any expressed or implied warranty of fitness for High Risk Activities.

Use of 4D Systems' products and devices in 'High Risk Activities' and in any other application is entirely at the buyer's risk, and the buyer agrees to defend, indemnify and hold harmless 4D Systems from any and all damages, claims, suits, or expenses resulting from such use. No licenses are conveyed, implicitly or otherwise, under any 4D Systems intellectual property rights.

## 22. Contact Information

For Technical Support: [www.4dsystems.com.au/support](http://www.4dsystems.com.au/support)

For Sales Support: [sales@4dsystems.com.au](mailto:sales@4dsystems.com.au)

Website: [www.4dsystems.com.au](http://www.4dsystems.com.au)

Copyright 4D Systems Pty. Ltd. 2000-2020