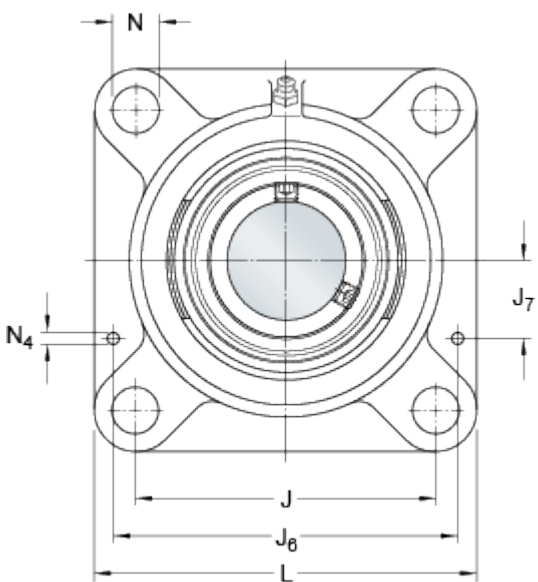
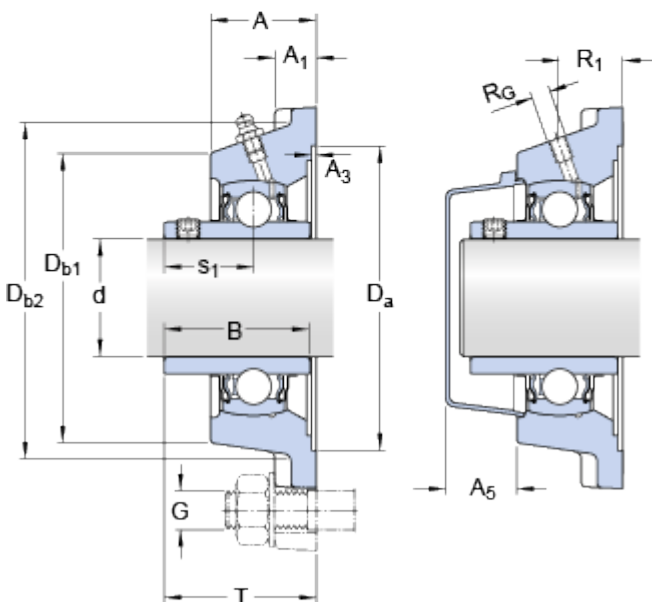
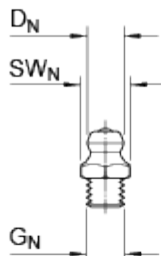


FY 35 TF

Housing material

Cast iron

Dimensions



d	35	mm
A	34.5	mm
A ₁	13	mm
A ₃	H 3.2	mm
	14	
A ₅	22	mm
B	42.9	mm
D _a	H 106.4	mm
	11	
D _{b1}	87	mm
D _{b2}	95	mm
J	92	mm
L	118	mm
N	14	mm
s ₁	25.4	mm
T	46.4	mm

Threaded hole

R _G	1 / 4 - 28 UNF	
	22.5	mm

R **1**

Grease fitting

D_N **6.5** mm

SW_N **7** mm

G_N **1 / 4 - 28 SAE-LT**

Dowel pins

J₆ **106** mm

J₇ **29** mm

N₄ **4** mm

Calculation data

Basic dynamic load rating	C	25.5	kN
Basic static load rating	C ₀	15.3	kN
Fatigue load limit	P _u	0.655	kN
Limiting speed		5300	r/min

(with shaft tolerance h 6)

Mass

Mass bearing unit		1.3	kg
-------------------	--	------------	----

Mounting information

Thread grub screw	G ₂	M 6 x 0.75	
Hexagonal key size for grub screw	N	3	mm
Recommended tightening torque for grub screw		4	N·m
Recommended diameter for attachment bolts, mm	G	12	mm
Recommended diameter for attachment bolts, inch	G	0.5	in

Appertaining products

Housing		FY 507 M
Bearing		YAR 207-2F

Appropriate products

End cover		ECY 207
-----------	--	---------

