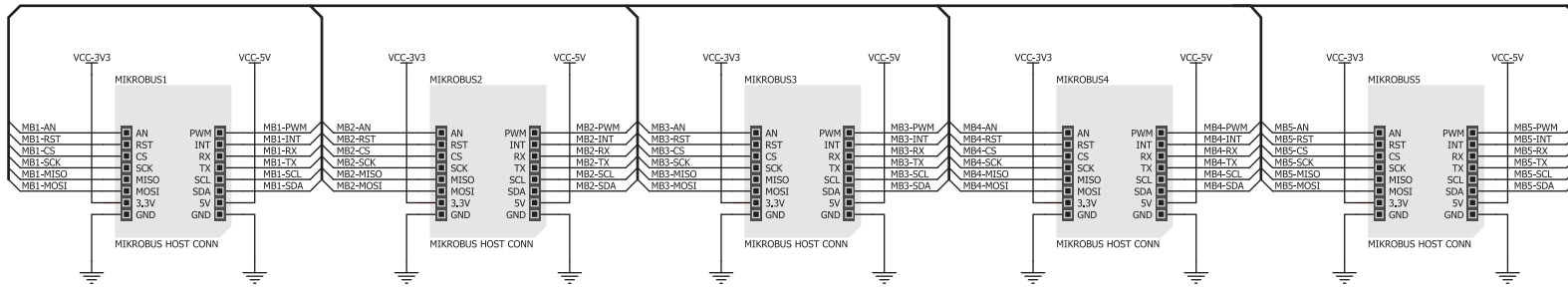


FUSION

for STM32 v8 DEVELOPMENT BOARD

SCHEMATIC

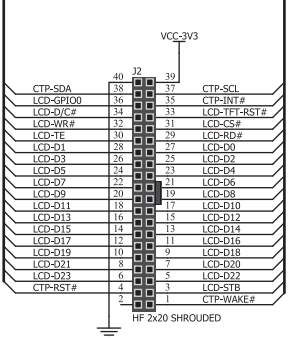
mikroBUS sockets



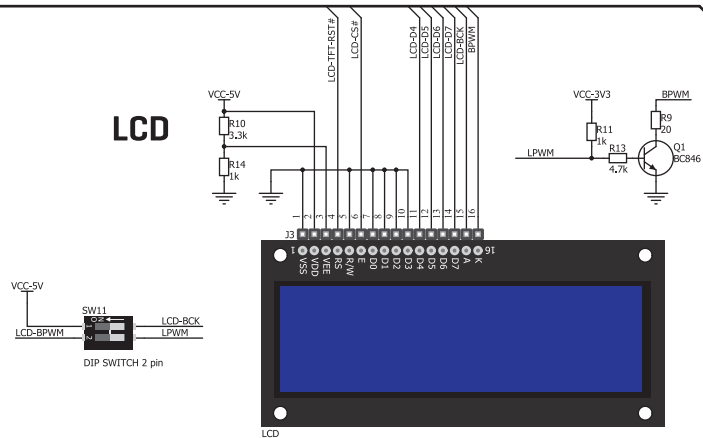
CODEGRIP PDU



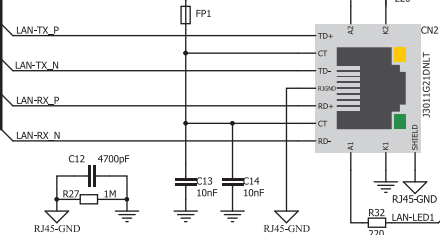
TFT Connector



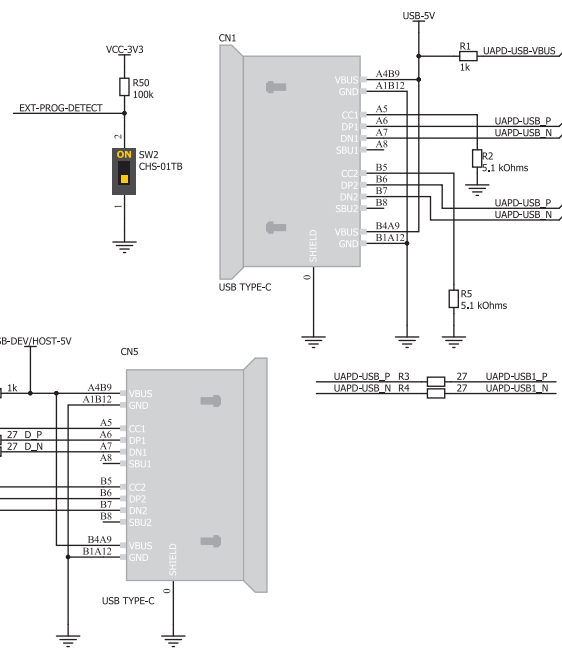
LCD



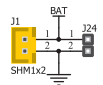
Ethernet



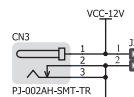
USB POWER/DEBUG



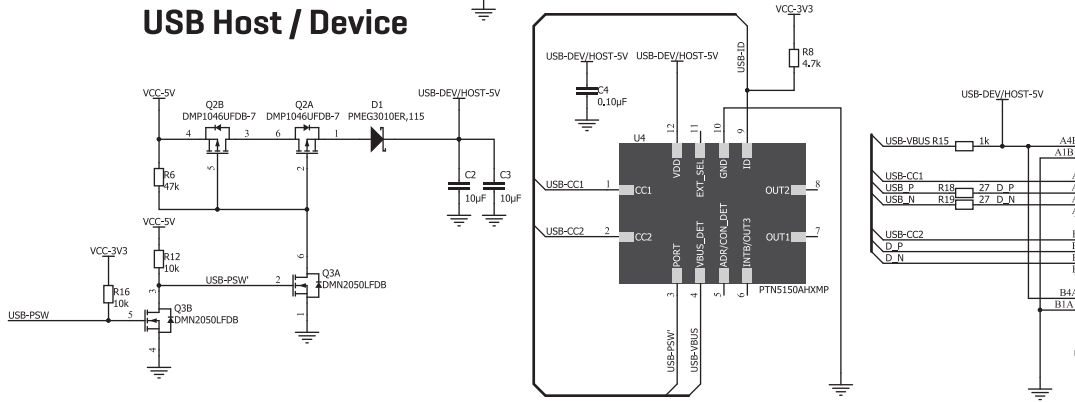
BATTERY



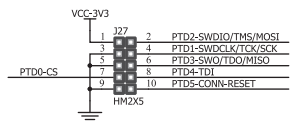
POWER 12VDC



USB Host / Device

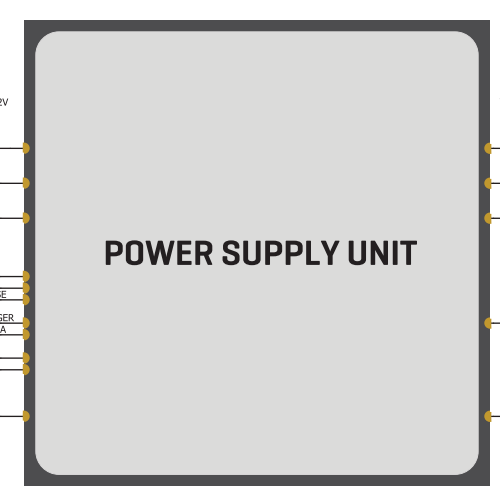


DBG SELECTION



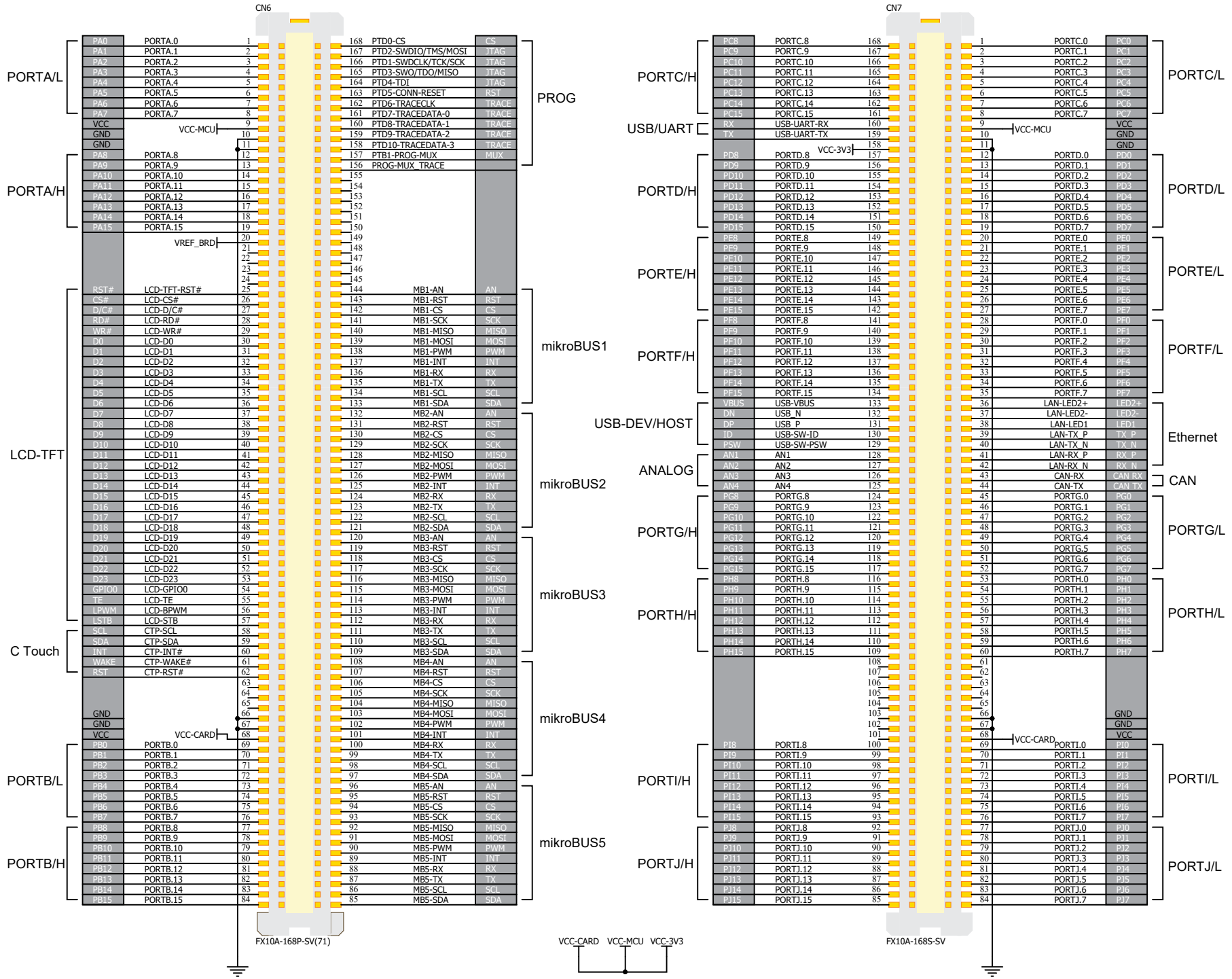
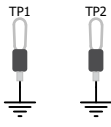
PWR_TPAD

RST_TPAD



POWER SUPPLY UNIT

- PTB2-I2C0-SCL
- PTB3-I2C0-SDA
- PTB4-DAC-SENSE
- PTB6-EN-CHARGER
- PTB7-100/500mA
- PWR_TPAD
- RST_TPAD



HW. REV. 1.1.11

