

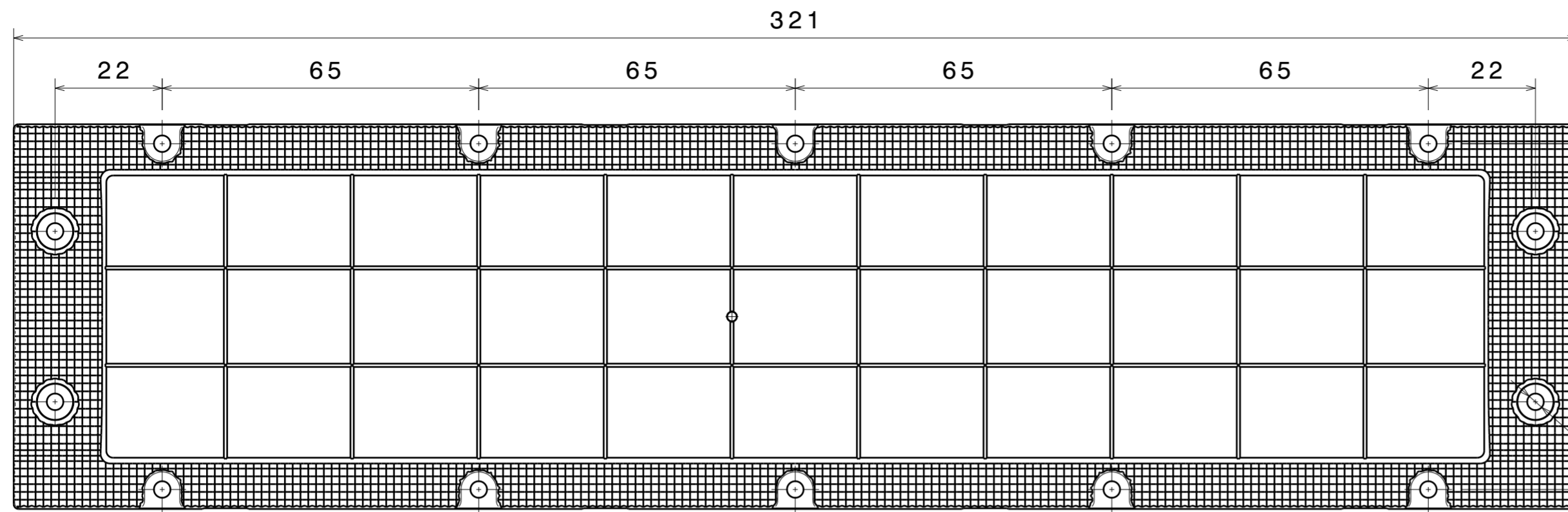
DETAILS

Product Number	FS15626_FLORENCE-3R-IP-Z90
Family	Florence
Type	Assembly
Color	clear
Diameter	321 + 79 mm
Height	9,72 mm
Style	rectang
Optic Material	Silicone,PC
Holder Material	
Fastening	
Status	production ready
ROHS Compliant	Yes
Date Updated	20/04/2017

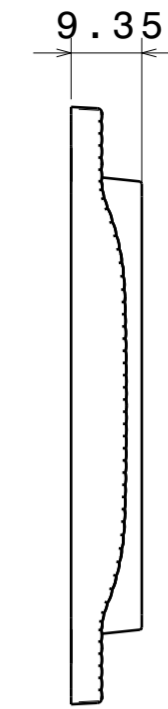


OPTICAL PROPERTIES

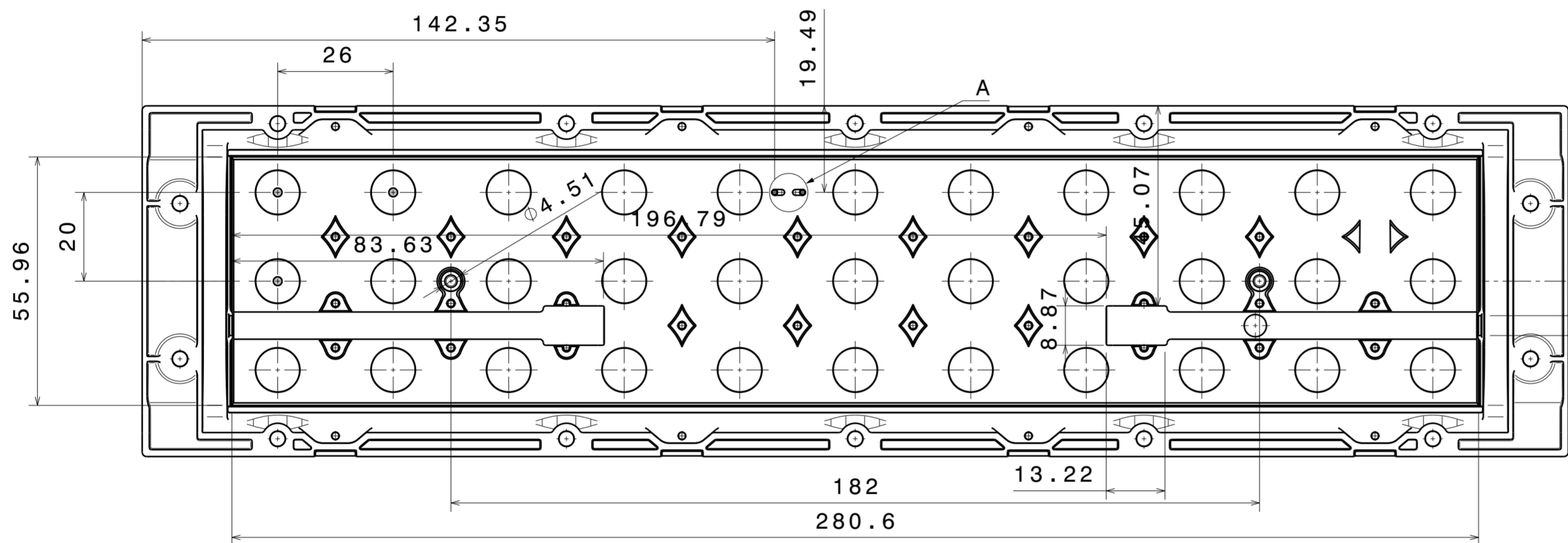
LED	Viewing Angle	Light Beam	Efficiency	cd/lm	Connector
XP-E	sim: 89		sim: 91 %	sim: 0.460	-
LG 6030	90 deg		89 %	0.440	-
Oslo Square Gen3	89 deg		88 %	0.420	-



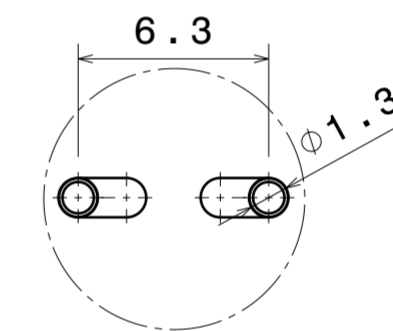
Top view
Scale: 1:1



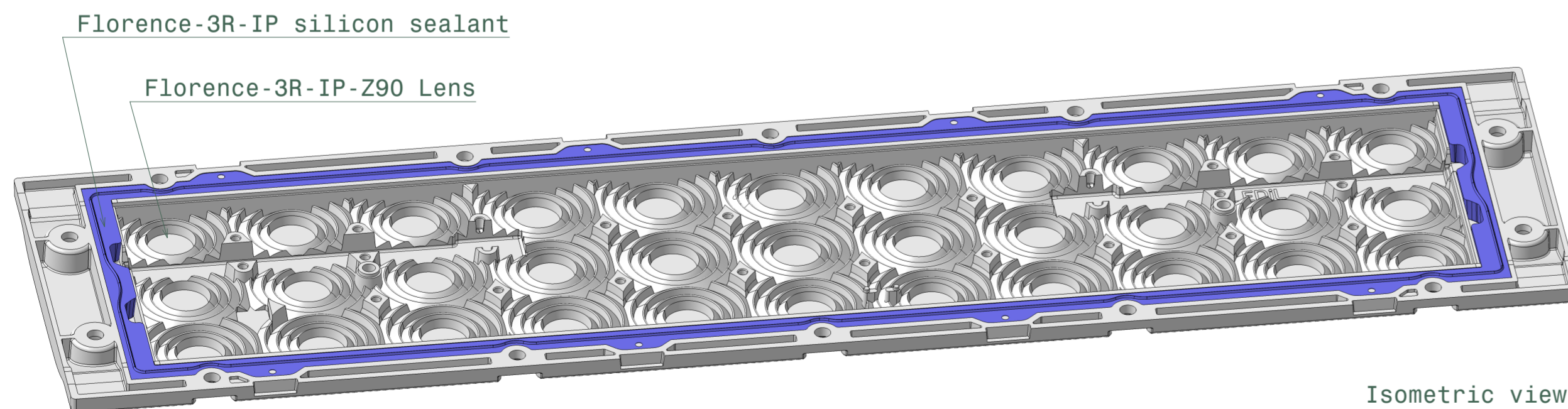
Left view
Scale: 1:1



Bottom view
Scale: 1:1



Detail A
Scale: 4:1



Isometric view
Scale: 1:1

Assembly Guide F15542_FLORENCE-3R-IP-Z90

1. Insert Silicone sealant into bottom of FLORENCE-3R-IP-Z90 lens
2. Set lens and silicone sealant on top of PCB
3. Fasten lens to heatsink with 14pcs of M3 screws

Screw type DIN 7985 M3, Max torque 0.6Nm

Tolerances if not otherwise shown
According to DIN ISO 2768-1
Linear measures:
Up to 30mm class M, otherwise class C.
According to DIN ISO 2768-2
Form and position: class L

LEDiL Ledil Oy
Salorankatu 10
FIN 24240 SALO
Finland

THIRD ANGLE PROJECTION:

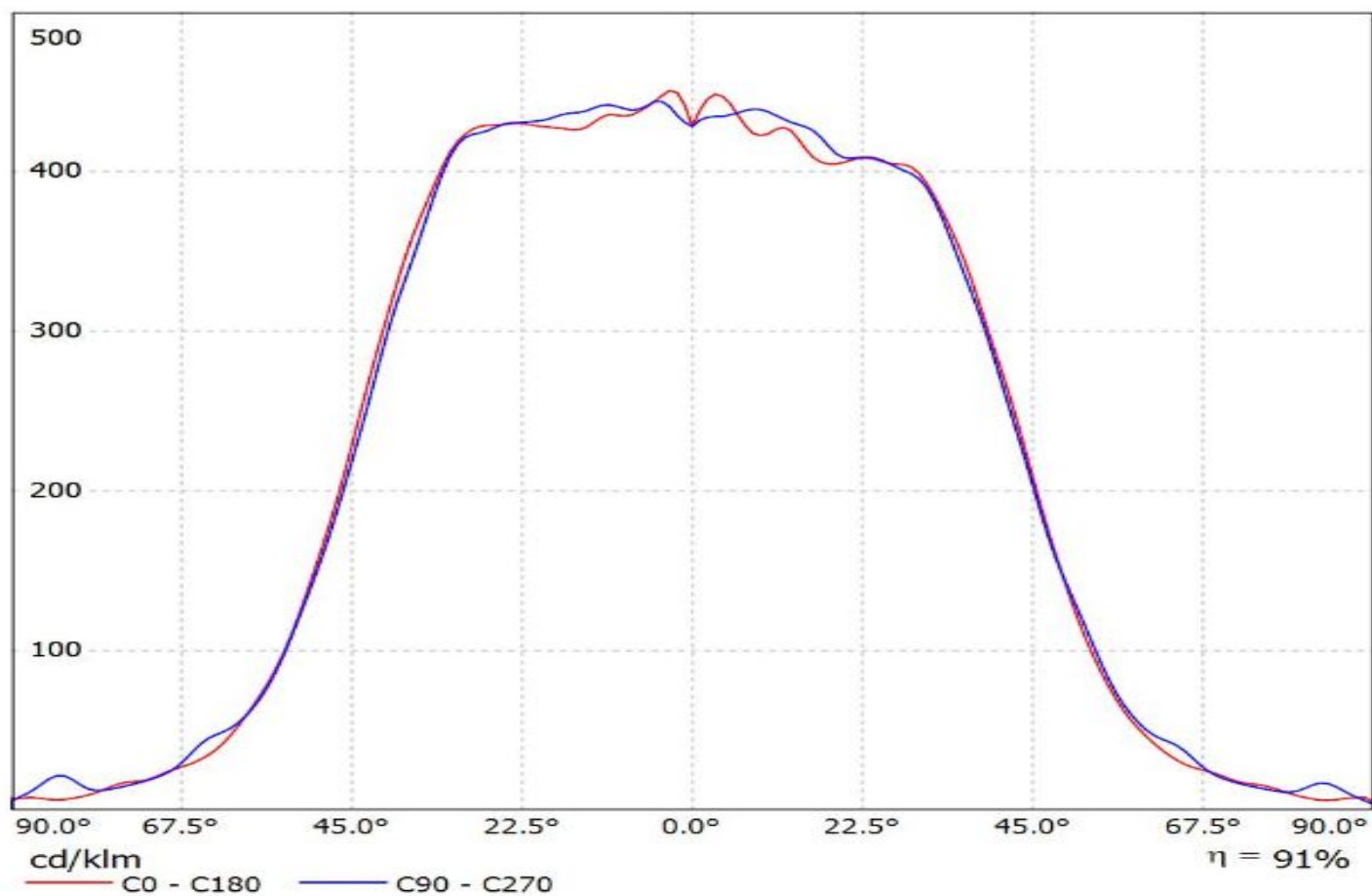
DRAWING TITLE
Datasheet_FLORENCE-3R-IP-Z90

This drawing is the property
of LEDiL Oy. It may not be
reproduced, copied or
communicated without a written
agreement with LEDiL Oy.

SIZE	PART NUMBER
A2	F15542

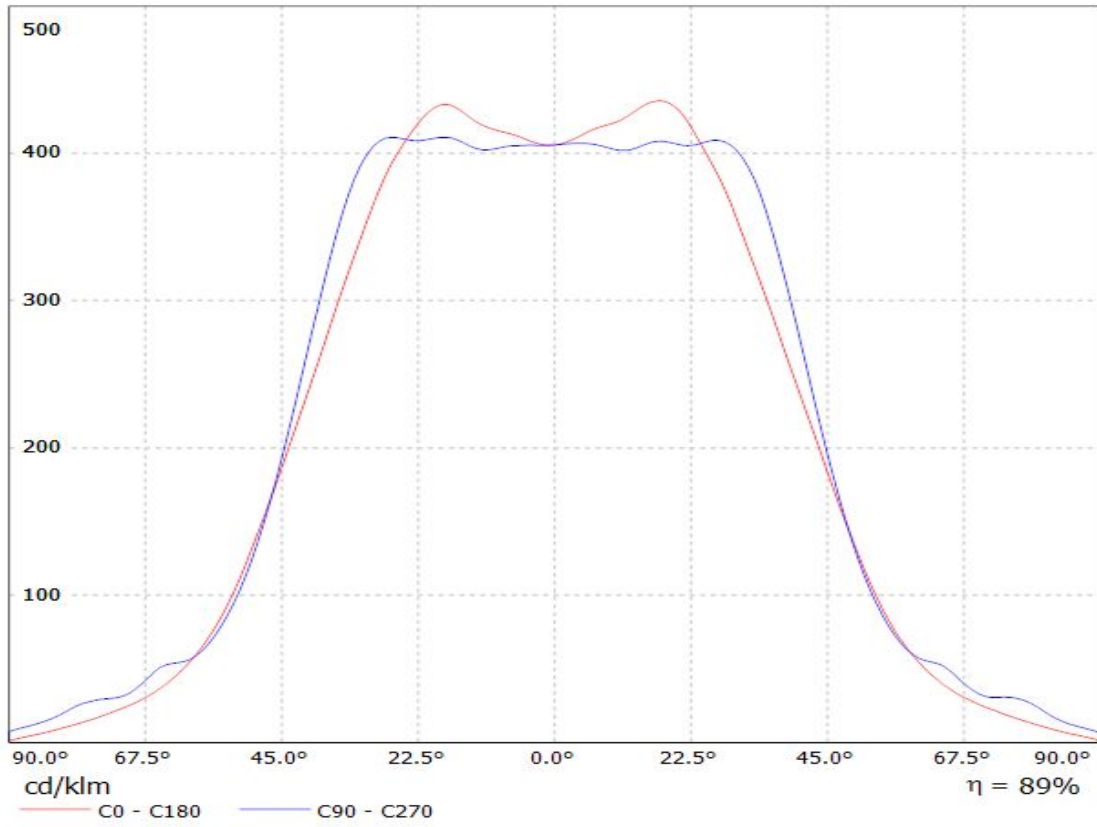
SCALE	1:1	WEIGHT	g	SHEET	1/1
-------	-----	--------	---	-------	-----

Luminaire: Ledil Oy FS15626_FLORENCE-3R-IP-Z90_(XP-E)_SIMULATED
Lamps: 1 x Cree XP-E

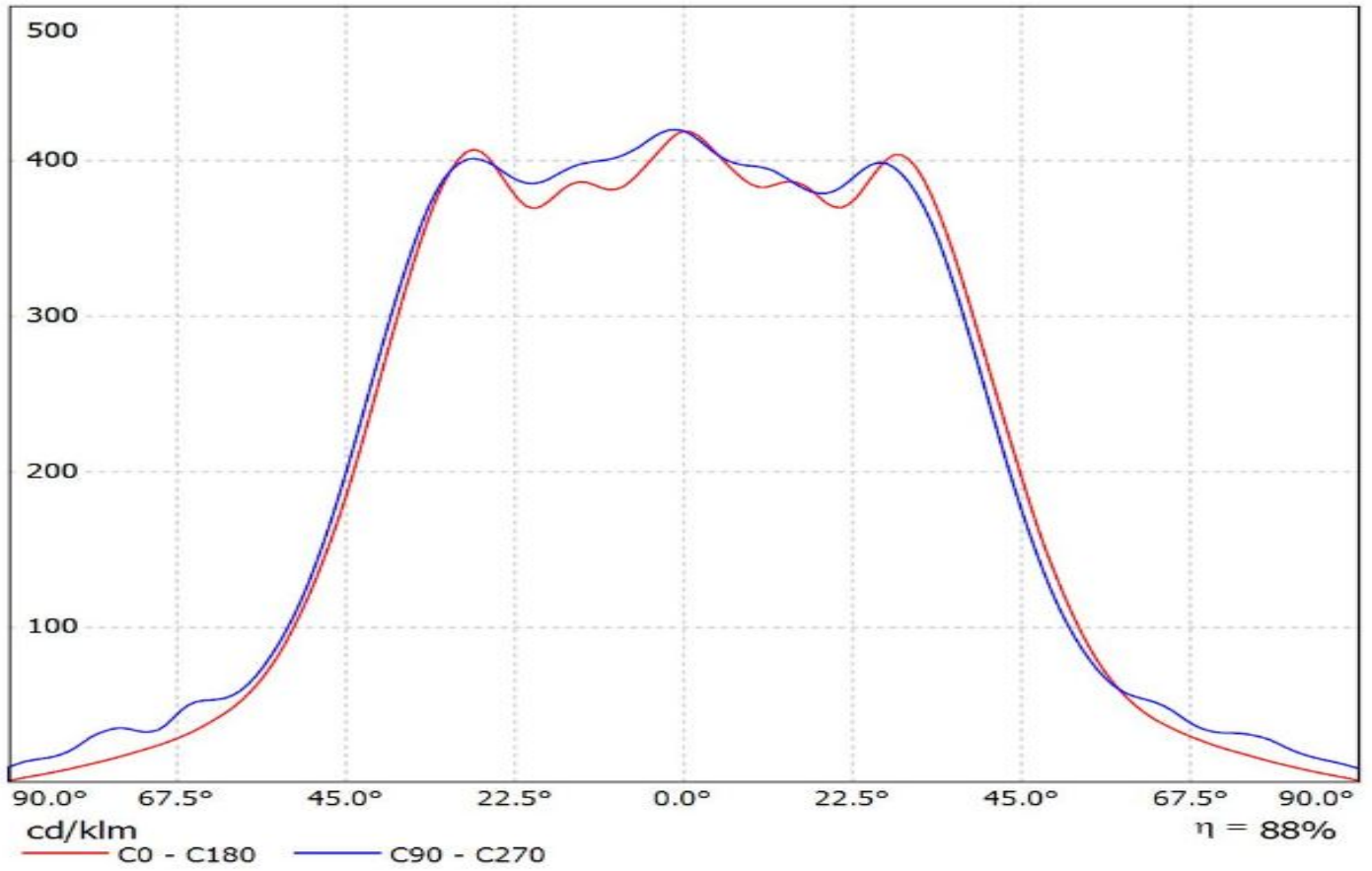


Luminaire: LEDiL Oy FS15626_FLORENCE-3R-IP-Z90_(LG_6030)

Lamps: 1 x Philips_Fortimo_LED_Line_1ft_1100lm_840_3R_HV2_(LG_6030)_1043.51lm@250mA_P=7.9259W_I=0.25A

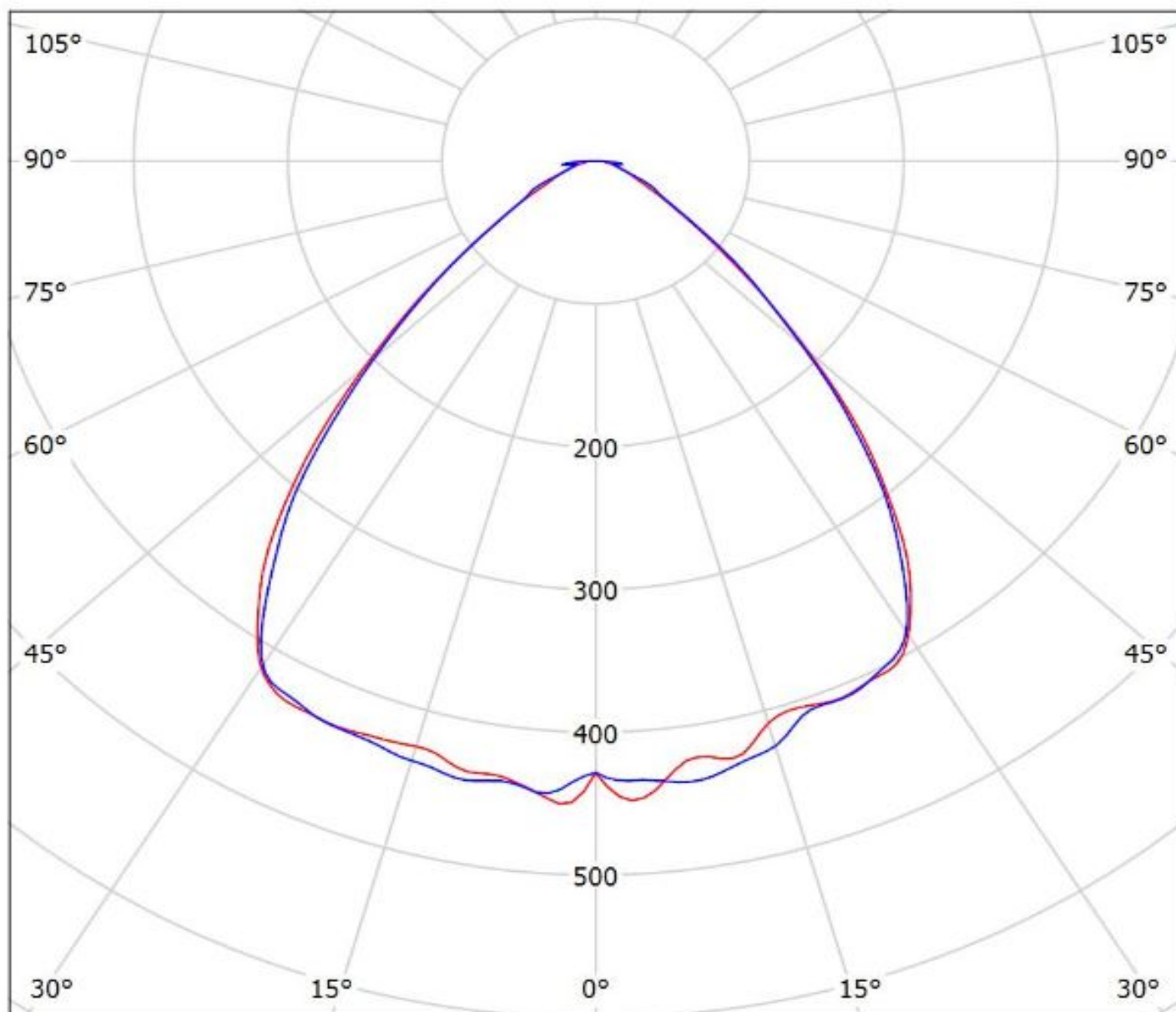


Luminaire: LEDiL Oy FS15626_FLORENCE-3R-IP-Z90_(Oslon_Square_Gen3)
Lamps: 1 x Osram_Oslon_Square_Gen3_(GW_CSSRM2.EM)
_1246.56lm@250mA_P=7.4303W_I=0.250A



Luminaire: Ledil Oy FS15626_FLORENCE-3R-IP-Z90_(XP-E)_SIMULATED

Lamps: 1 x Cree XP-E



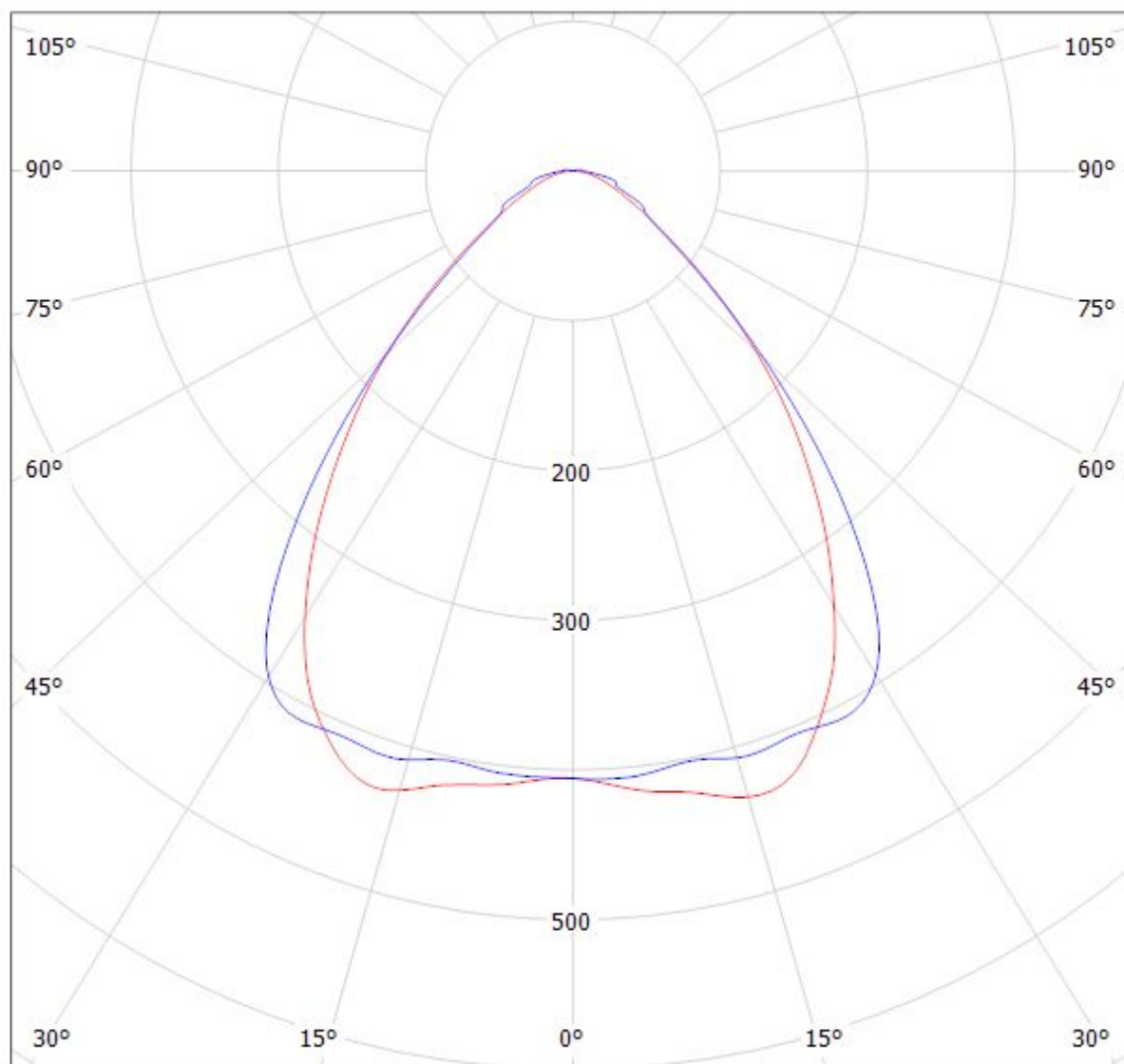
cd/klm

— C0 - C180 — C90 - C270

$\eta = 91\%$

Luminaire: LEDiL Oy FS15626_FLORENCE-3R-IP-Z90_(LG_6030)

Lamps: 1 x Philips_Fortimo_LED_Line_1ft_1100lm_840_3R_HV2_(LG_6030)_1043.51lm@250mA_P=7.9259W_I=0.25A

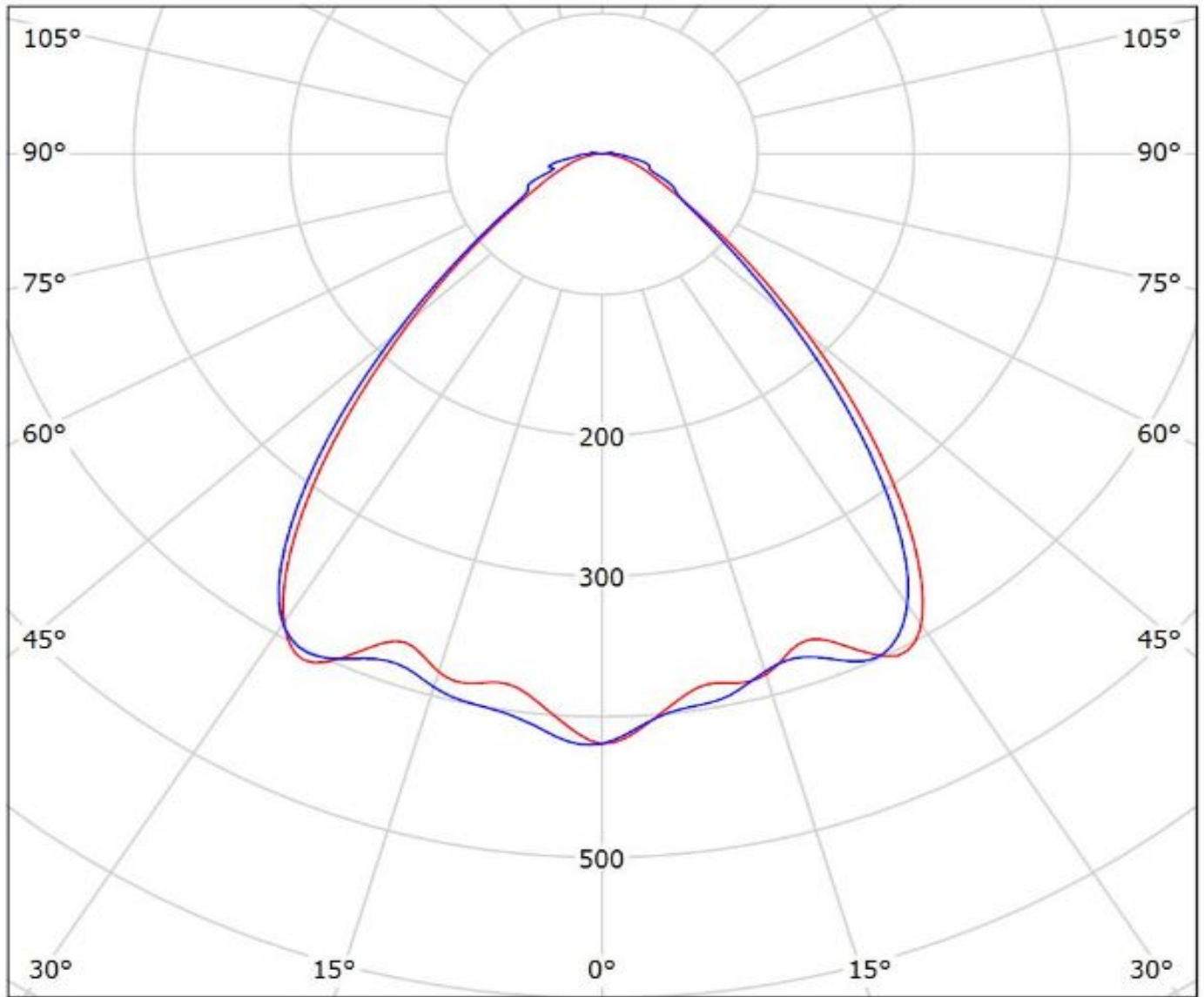


cd/klm

— C0 - C180 — C90 - C270

$\eta = 89\%$

Luminaire: LEDiL Oy FS15626_FLORENCE-3R-IP-Z90_(Oslon_Square_Gen3)
Lamps: 1 x Osram_Oslon_Square_Gen3_(GW_CSSRM2.EM)
_1246.56lm@250mA_P=7.4303W_I=0.250A



cd/klm

— C0 - C180 — C90 - C270

$\eta = 88\%$

NOTE: The typical divergence will be changed by different color, chip size and chip position tolerance. The typical total divergence is the full angle measured where the luminous intensity is half of the peak value.