



PRODUCT DATASHEET

Konntakt series

last update 10/1/2018

DETAILS

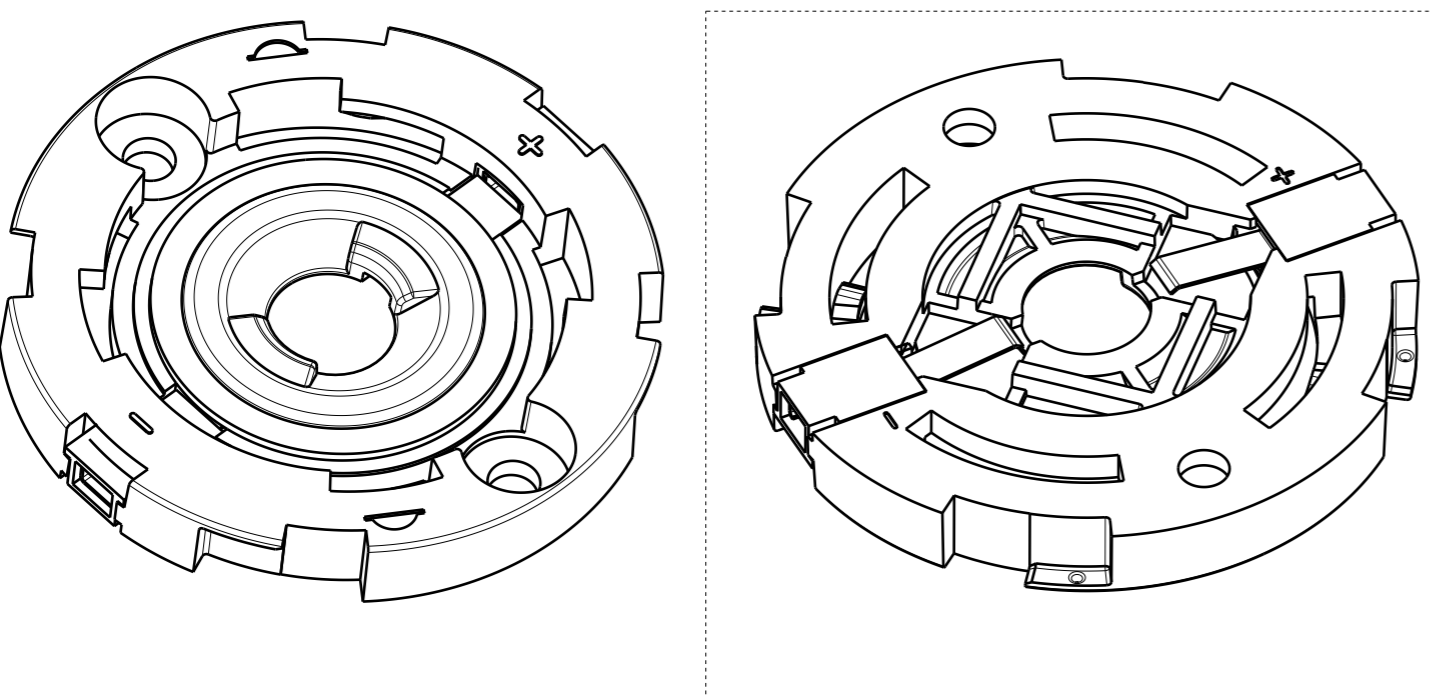
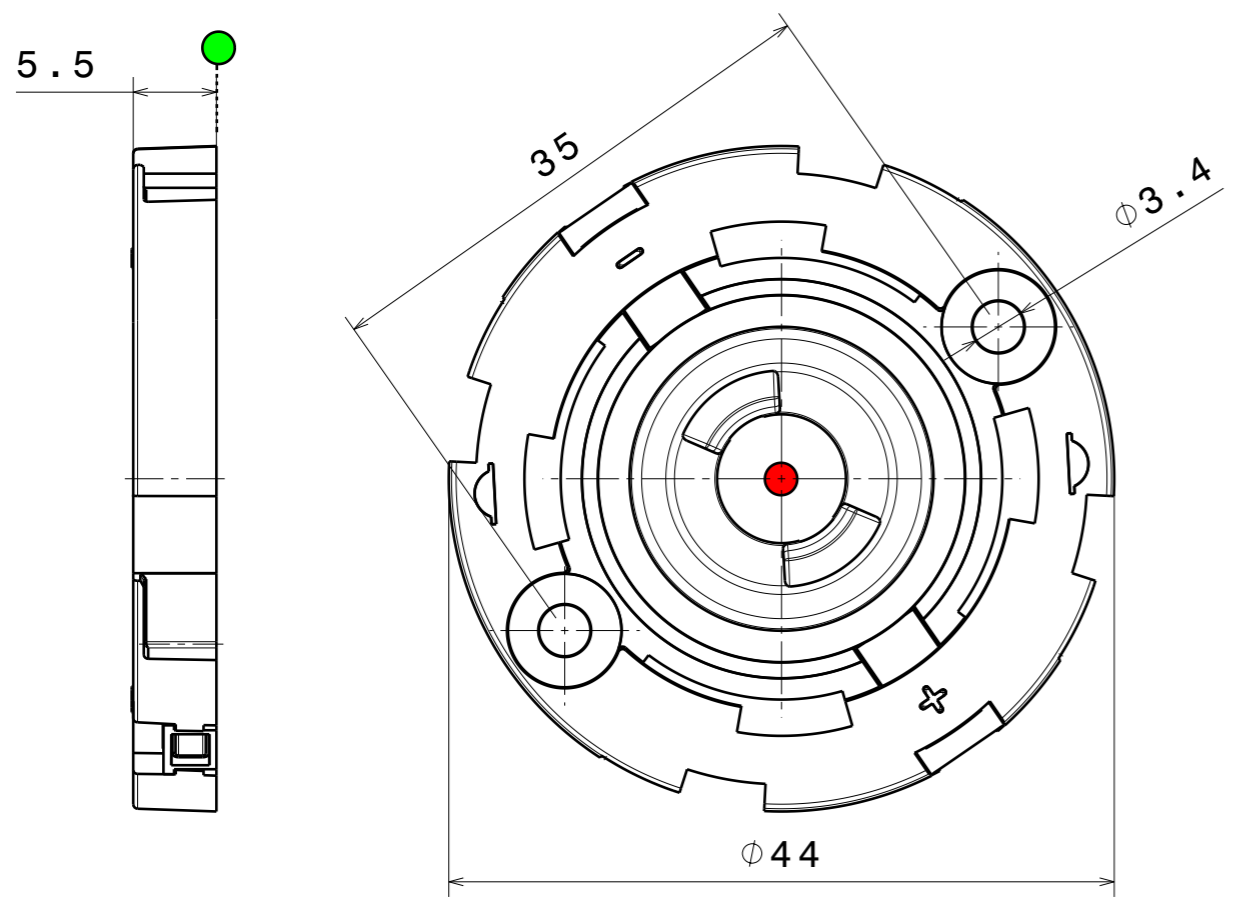
| | |
|------------------------|------------------|
| Product Number | FP15957_HEKLA-J |
| Family | Konntakt |
| Type | Base part |
| Color | clear |
| Diameter | 44 mm |
| Height | 5,5 mm |
| Style | round |
| Optic Material | |
| Holder Material | PBT |
| Fastening | |
| Status | production ready |
| ROHS Compliant | Yes |
| Date Updated | 10/01/2018 |



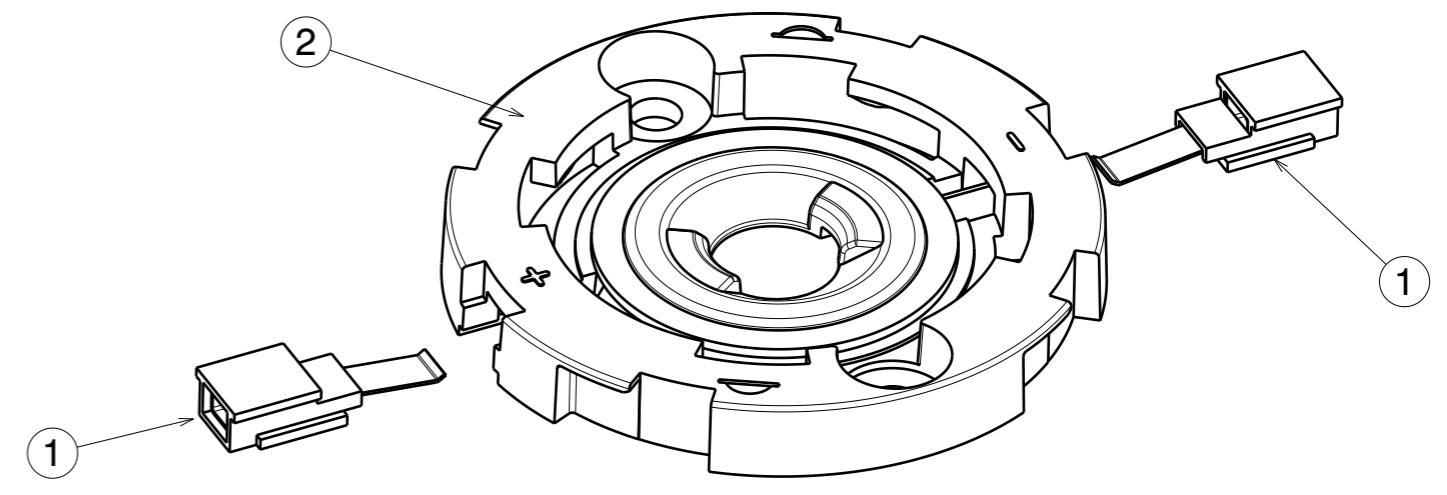
OPTICAL PROPERTIES

| LED | Viewing Angle | Light Beam | Efficiency | cd/lm | Connector |
|------------|---------------|------------|------------|------------|-----------|
| CXA/B 13xx | NA deg | | - | sim: 0.000 | - |

H G F E D C B A



- Notes**
- PCB or Heat Sink level
 - Led location
 - Ensure LED fitting, see our web site and/or 3D model for part detail.



Code table

| HEKLA CONNECTOR | COB SIZE [mm] | LES MAX. [mm] | HEKLA-SOCKET |
|-----------------|---------------|---------------|-----------------------|
| FP15490_HEKLA-A | 12,5X12,5 | Ø9,0 | F15253_HEKLA-SOCKET-A |
| FP15500_HEKLA-B | 17,85X17,85 | Ø14,2 | F15254_HEKLA-SOCKET-B |
| FP15501_HEKLA-C | 13,5X13,5 | Ø11,6 | F15255_HEKLA-SOCKET-C |
| FP15502_HEKLA-D | 15,85X15,85 | Ø10,7 | F15256_HEKLA-SOCKET-D |
| FP15503_HEKLA-E | 15,8X15,8 | Ø14,3 | F14988_HEKLA-SOCKET-E |
| FP15947_HEKLA-G | 12X15 | Ø10 | F15848_HEKLA-SOCKET-G |
| FP15948_HEKLA-H | 16X19 | Ø14 | F15858_HEKLA-SOCKET-H |
| FP15949_HEKLA-I | 19X19 | Ø17 | F15859_HEKLA-SOCKET-I |
| FP15957_HEKLA-J | 13,35X13,35 | Ø7,5 | F15956_HEKLA-SOCKET-J |
| | | | F15616_HEKLA-SOCKET-F |

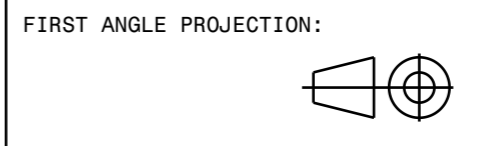
COMPONENTS

| INDEX | PRODUCT | TYPE | MATERIAL | COLOUR/COATING |
|-------|---------------------|-------------------------|----------|----------------|
| 1 | FPXXXXX_HEKLA-PIC-X | CONTACT SPRING ASSEMBLY | PBT+BeCu | White+gold |
| 2 | See code table | SOCKET | PBT | White |
| 3 | See code table | CONNECTOR | PBT+BeCu | White+gold |

MECHANICAL DRAWING

PRODUCT
HEKLA-family

Tolerances if not otherwise shown
According to DIN ISO 2768-1
Linear measures:
Up to 30mm class M, otherwise class C.
According to DIN ISO 2768-2
Form and position: class L



This drawing is the property of LEDiL Oy. It may not be reproduced, copied or communicated without a written agreement with LEDiL Oy.

| | | | | | |
|-------|-----|------|----|-------|-----|
| SCALE | 2:1 | SIZE | A3 | SHEET | 1/2 |
|-------|-----|------|----|-------|-----|

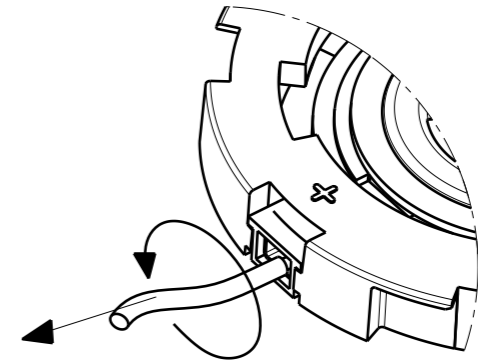
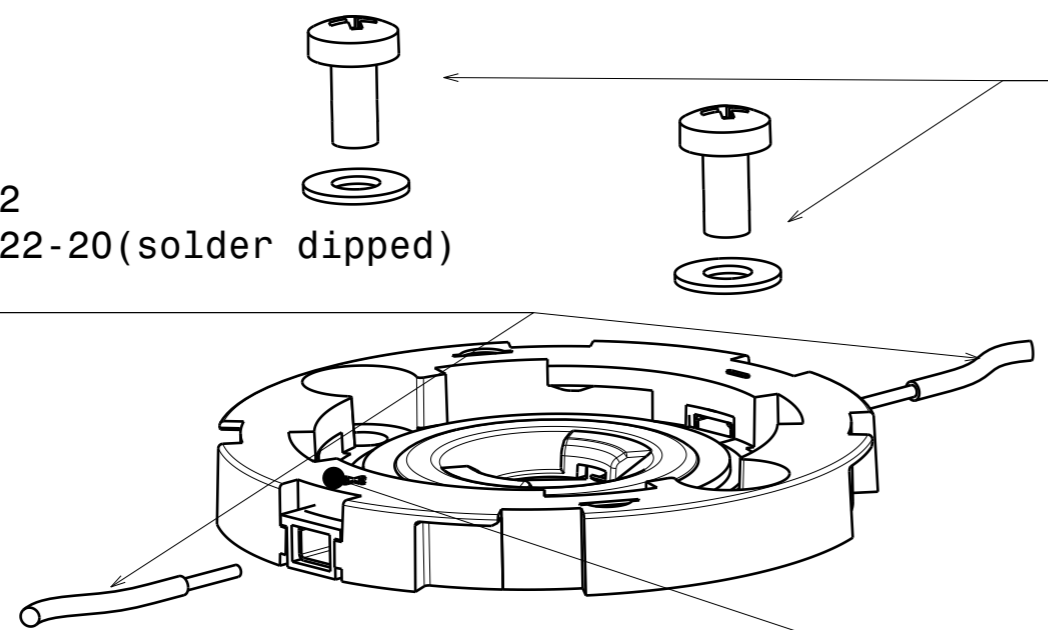
H G B A

| | |
|-------------------------|--|
| GENERAL INFORMATION | |
| RATED VOLTAGE/CURRENT | 50VDC/3A FOR USE IN SELV AND CLASS 2 (USA) APPLICATIONS ONLY |
| WIRE TYPE AND SIZE | SOLID WIRE 22 AWG ($\phi 0,64\text{mm}$); TINNED WIRE 22-20 AWG(SOLDER DIPPED) |
| WIRE STRIP LENGTH | 5 +/- 0,5 mm |
| FASTENING | SCREWS 2XM3, WASHER 2XM3 |
| MAX.SCREW FIXING TORQUE | 0,6Nm |
| MAX.TIM THICKNESS | 0,25mm |
| RATED TEMPERATURE | 110°C |

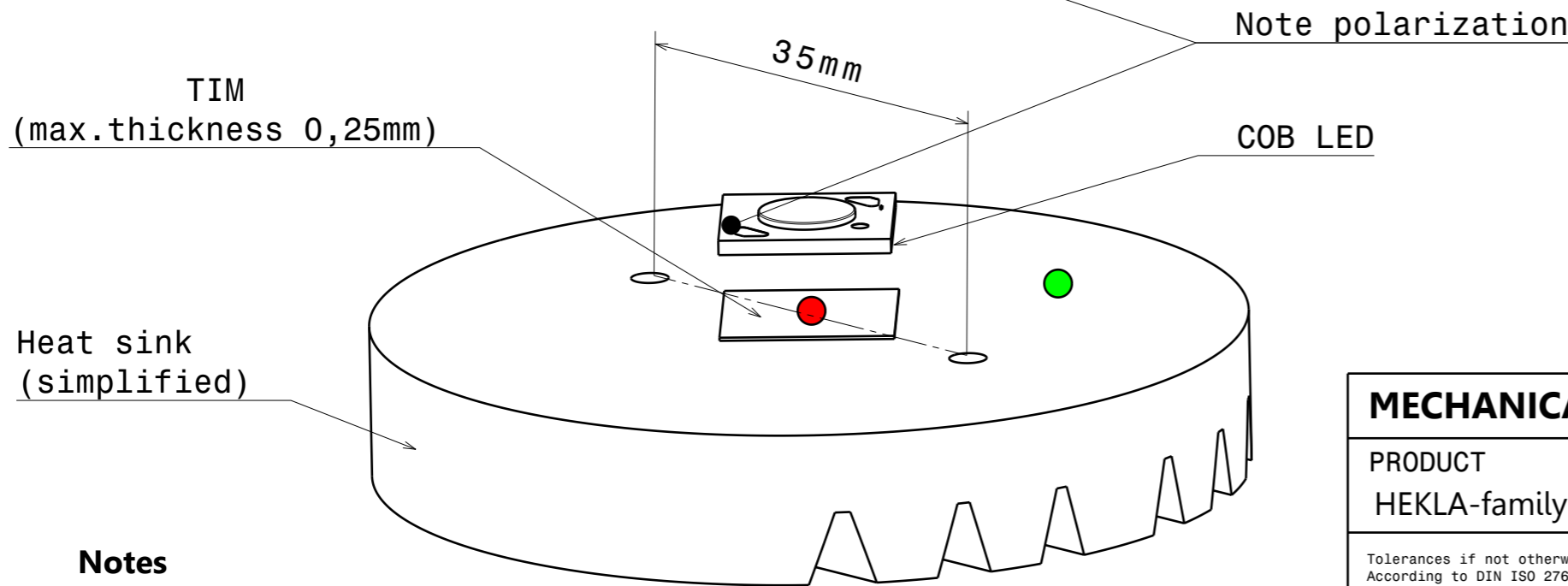
GENERAL ASSEMBLY INSTRUCTION

Screws M3+Washers
(DIN125/DIN127)
Max.torque 0,6Nm

Solid wire AWG 22
Tinned wire AWG 22-20(solder dipped)
Strip length 5mm



Remove the wire by slightly pulling and rotating at the same time.
A new wire is recommended after removing the old one and check the functionality of the connector.



- Notes**
- PCB or Heat Sink level
 - Led location
 - Ensure LED fitting, see our web site and/or 3D model for part detail.

| | | | | | |
|---|-----------------------------|---|----|-------|-----|
| MECHANICAL DRAWING | | LEDiL[®] | | | |
| PRODUCT HEKLA-family | | | | | |
| Tolerances if not otherwise shown According to DIN ISO 2768-1 Linear measures: Up to 30mm class M, otherwise class C. According to DIN ISO 2768-2 Form and position: class L | FIRST ANGLE PROJECTION: | This drawing is the property of LEDiL Oy. It may not be reproduced, copied or communicated without a written agreement with LEDiL Oy. | | | |
| SCALE | 2:1 | SIZE | A3 | SHEET | 2/2 |

NOTE: The typical divergence will be changed by different color, chip size and chip position tolerance. The typical total divergence is the full angle measured where the luminous intensity is half of the peak value.

GENERAL INFORMATION

- Product series especially designed & optimized for series of LEDs.
- Special care taken to make light distribution as uniform as possible.

Note! Due to use of high power COB's with this product, special attention to proper thermal design is highly recommended. LEDiL has no liability for direct, indirect or consecutive damages arising from the LEDiL products being used outside of the recommended temperature range.