



# PRODUCT DATASHEET

## Ronda series

last update 10/7/2017

### DETAILS

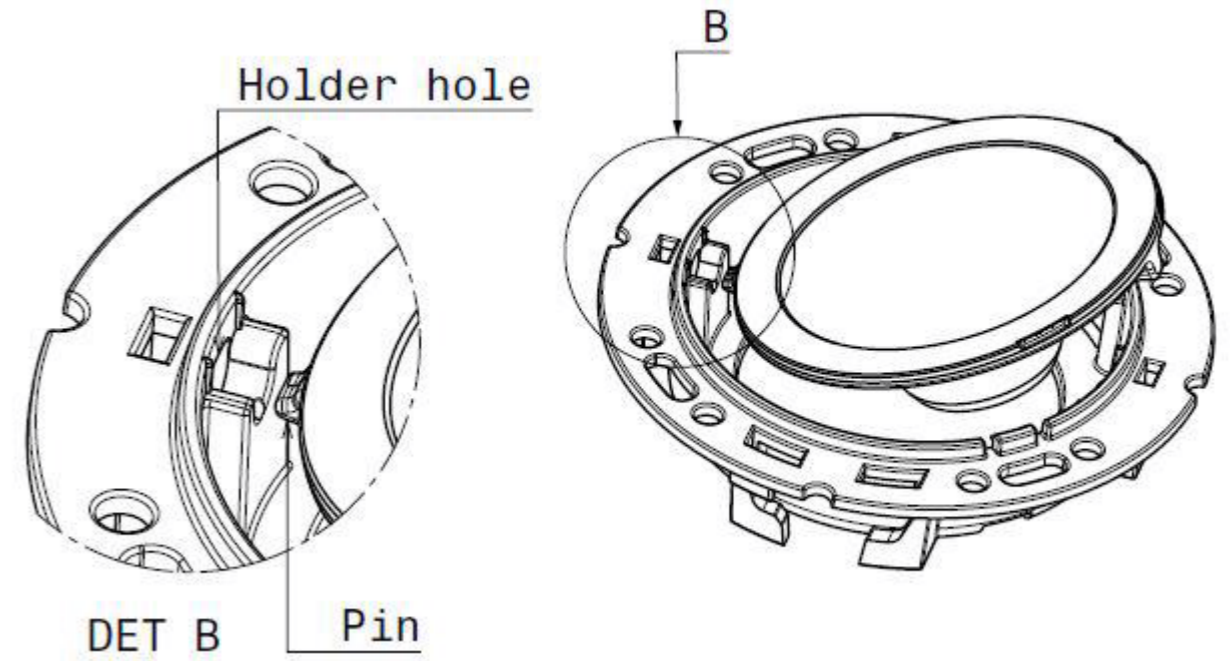
<b>Product Number</b>	FN15977_RONDA-WAS2
<b>Family</b>	Ronda
<b>Type</b>	Assembly
<b>Color</b>	white
<b>Diameter</b>	69,9 mm
<b>Height</b>	14,6 mm
<b>Style</b>	round
<b>Optic Material</b>	PMMA
<b>Holder Material</b>	
<b>Fastening</b>	socket
<b>Status</b>	production ready
<b>ROHS Compliant</b>	Yes
<b>Date Updated</b>	10/07/2017



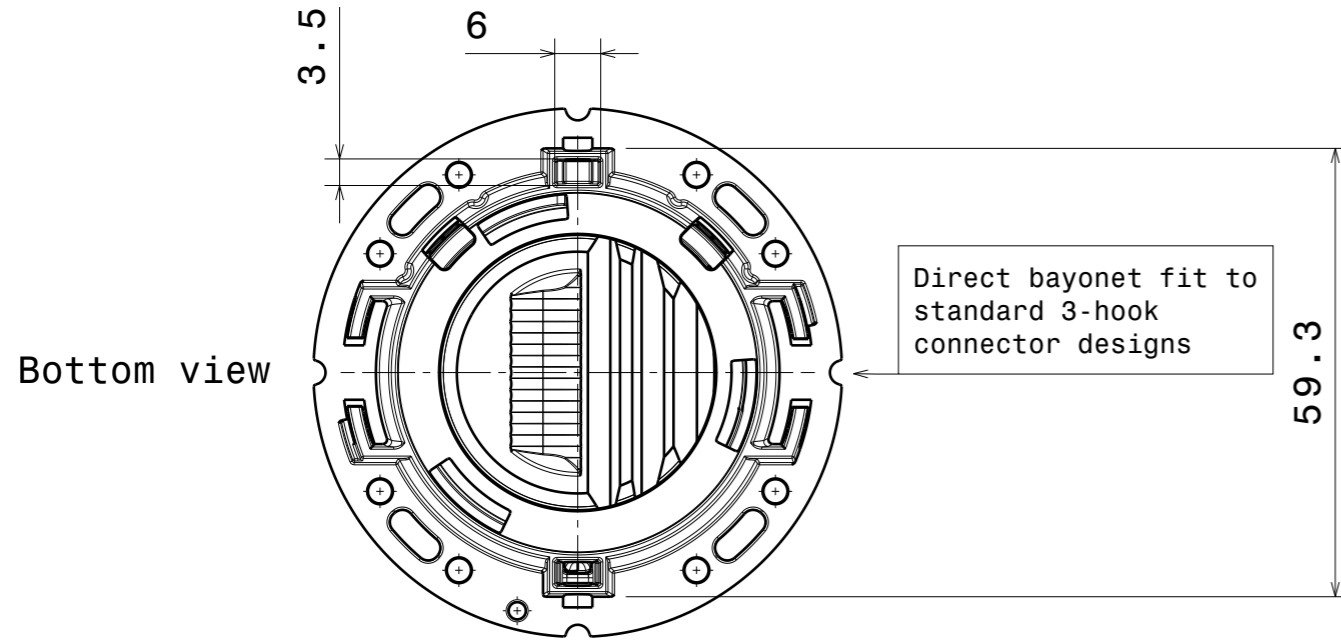
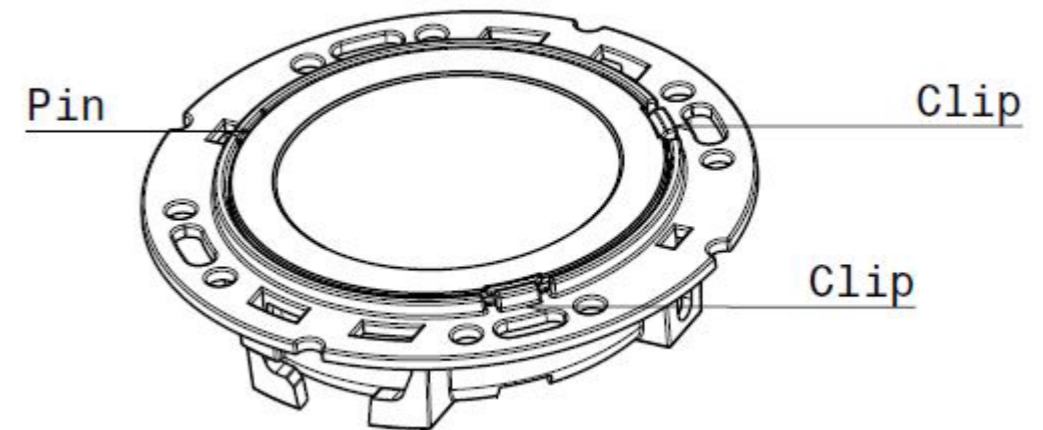
### OPTICAL PROPERTIES

LED	Viewing Angle	Light Beam	Efficiency	cd/lm	Connector
V10 Gen7	sim: Asymmetric	Asymmetric	-	sim: 0.800	Bender Wirth: 434 Typ L1
CLL02x/CLU02x (LES10)	sim: Asymmetric	Asymmetric	-	sim: 0.750	Bender Wirth: 434 Typ L1
CXA/B 15xx	sim: Asymmetric	Asymmetric	sim: 86 %	sim: 1.100	-

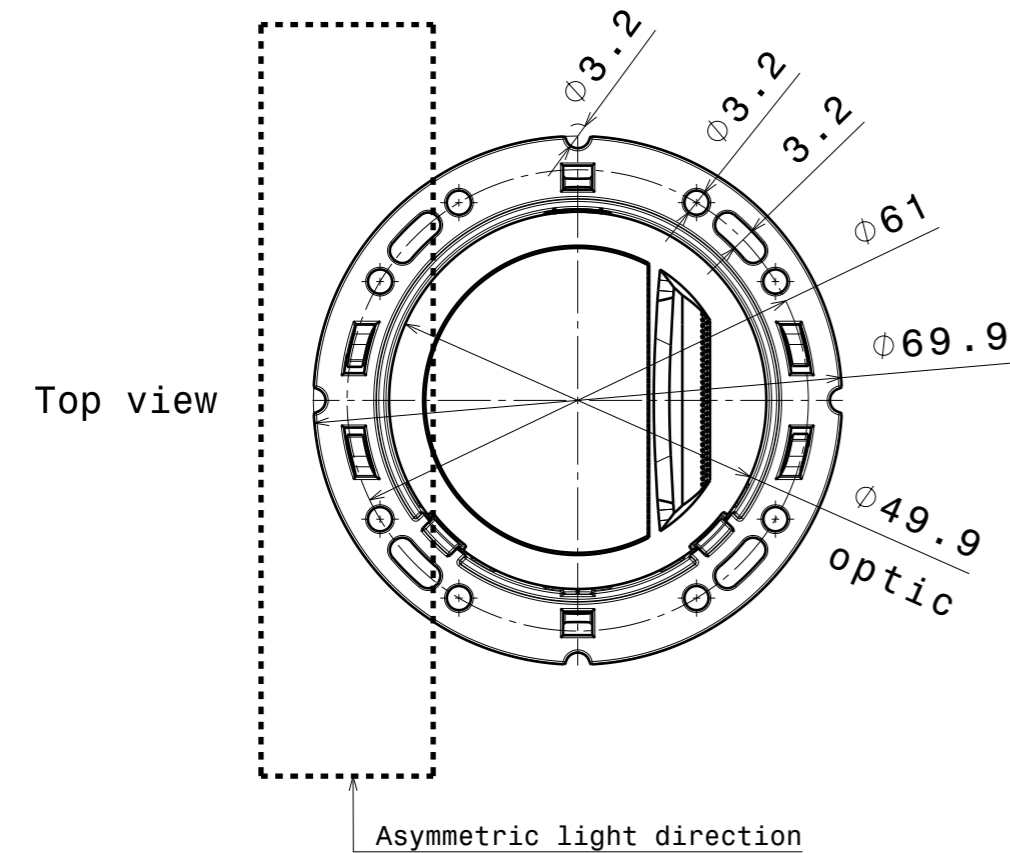
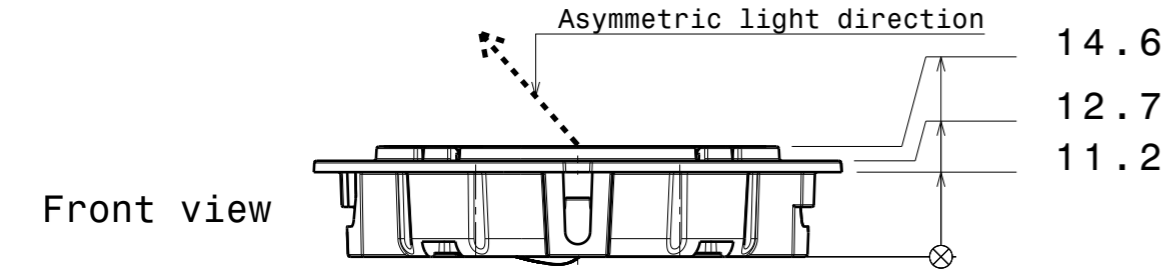
1. Place pin on the side of the lens into relative hole on the holder



2. Press the lens under clips on the holder, ensuring both clips are fixed



Direct bayonet fit to standard 3-hook connector designs



INDEX	PART NO	DESCRIPTION	MATERIAL	COLOUR
1	FN15977	RONDA-WAS2	Optic PMMA, Holder PC	

Tolerances if not otherwise shown  
According to DIN ISO 2768-1  
Linear measures:  
Up to 30mm class M, otherwise class C.  
According to DIN ISO 2768-2  
Form and position: class L

**LEDiL** LediL Oy  
Salorankatu 10  
FIN 24240 SALO  
Finland

THIRD ANGLE PROJECTION:

DRAWING TITLE  
**FN15977\_RONDA-WAS2**

This drawing is the property of LEDiL Oy. It may not be reproduced, copied or communicated without a written agreement with LEDiL Oy.

SIZE	PART NUMBER
<b>A3</b>	<b>FN15977</b>

SCALE	1:1	WEIGHT	- g	SHEET	1/1
-------	-----	--------	-----	-------	-----

**NOTE: The typical divergence will be changed by different color, chip size and chip position tolerance. The typical total divergence is the full angle measured where the luminous intensity is half of the peak value.**

### **GENERAL INFORMATION**

- Product series especially designed & optimized for series of LEDs.
- Special care taken to make light distribution as uniform as possible.

Note! Due to use of high power COB's with this product, special attention to proper thermal design is highly recommended. LEDiL has no liability for direct, indirect or consecutive damages arising from the LEDiL products being used outside of the recommended temperature range.