

DETAILS

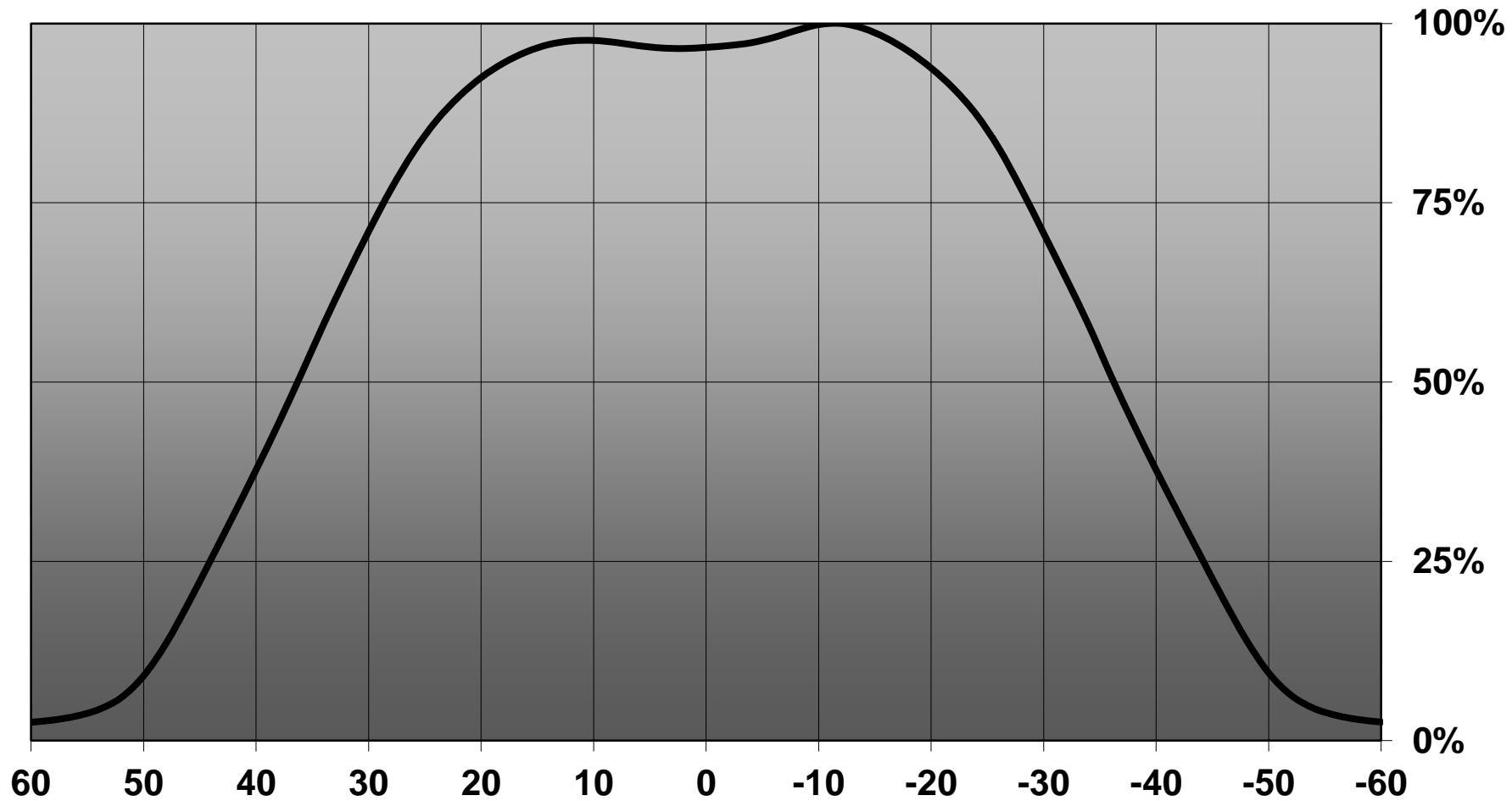
Product Number	FN14074_STELLA-HB
Family	STELLA
Type	Lens
Color	clear
Diameter	90 mm
Height	19.5 mm
Style	round
Optic Material	Silicone
Holder Material	PA66GF30
Fastening	screw
Status	ready
ROHS Compliant	Yes
Date Updated	17/04/2014



OPTICAL PROPERTIES

LED	Viewing Angle	Light Beam	Efficiency	cd/lm	Connector
CLL04x/CLU044	sim: 61	HighBay	-	sim: 0.000	-
CLL05x/CLU054	65 deg	HighBay	94 %	0.740	Bender Wirth: 458 Typ L4
VERO29	69 deg	HighBay	94 %	0.708	-
CXA35	72 deg	HighBay	93 %	0.682	-
CXM-22	73 deg	HighBay	93 %	0.700	-
CLL05x/CLU054	73 deg	HighBay	93 %	0.630	-
VERO18	75 deg	HighBay	93 %	0.700	-
CXA30	78 deg	HighBay	93 %	0.630	-
CXM-18	80 deg	HighBay	93 %	0.600	-
CXA25xx	83 deg	HighBay	93 %	0.566	-
Soleriq S19	84 deg	HighBay	92 %	0.570	-

Relative intensity of FN14074_STELLA-HB_(CXM-22)

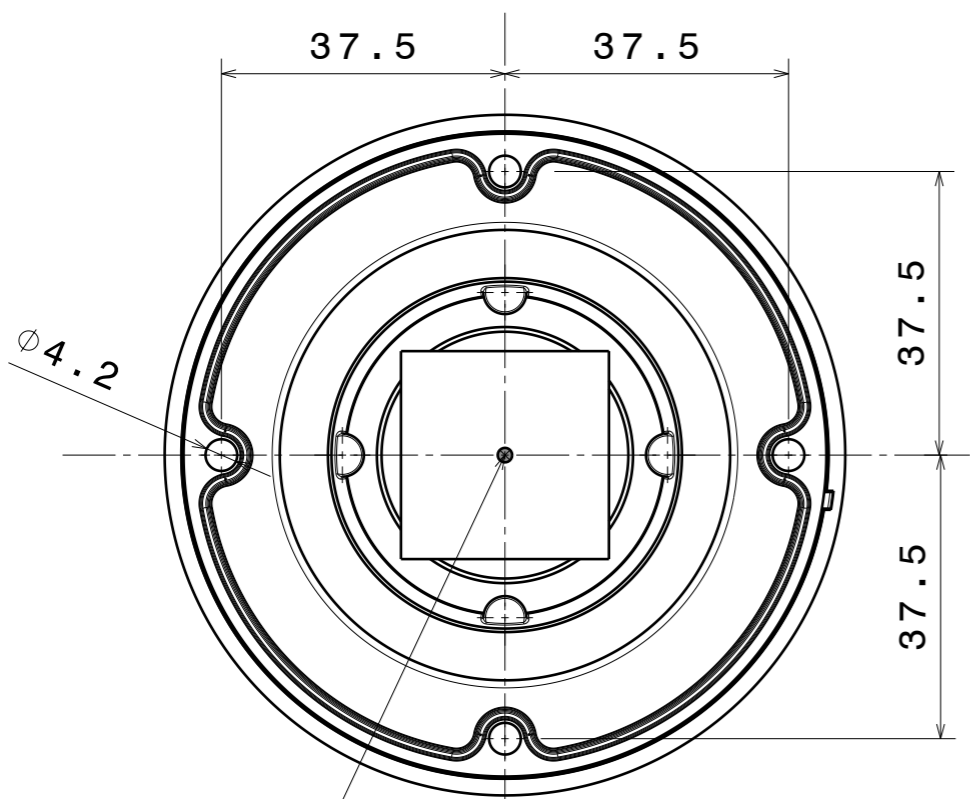


— 1: 0-180

H G F E D C B A

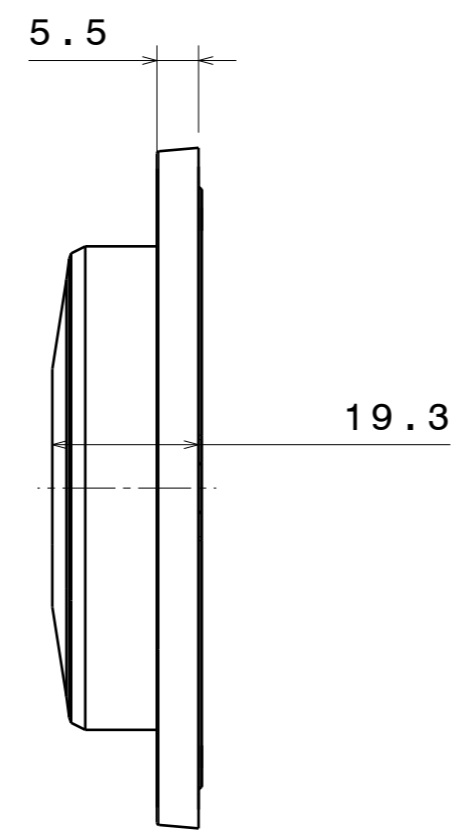
4

4

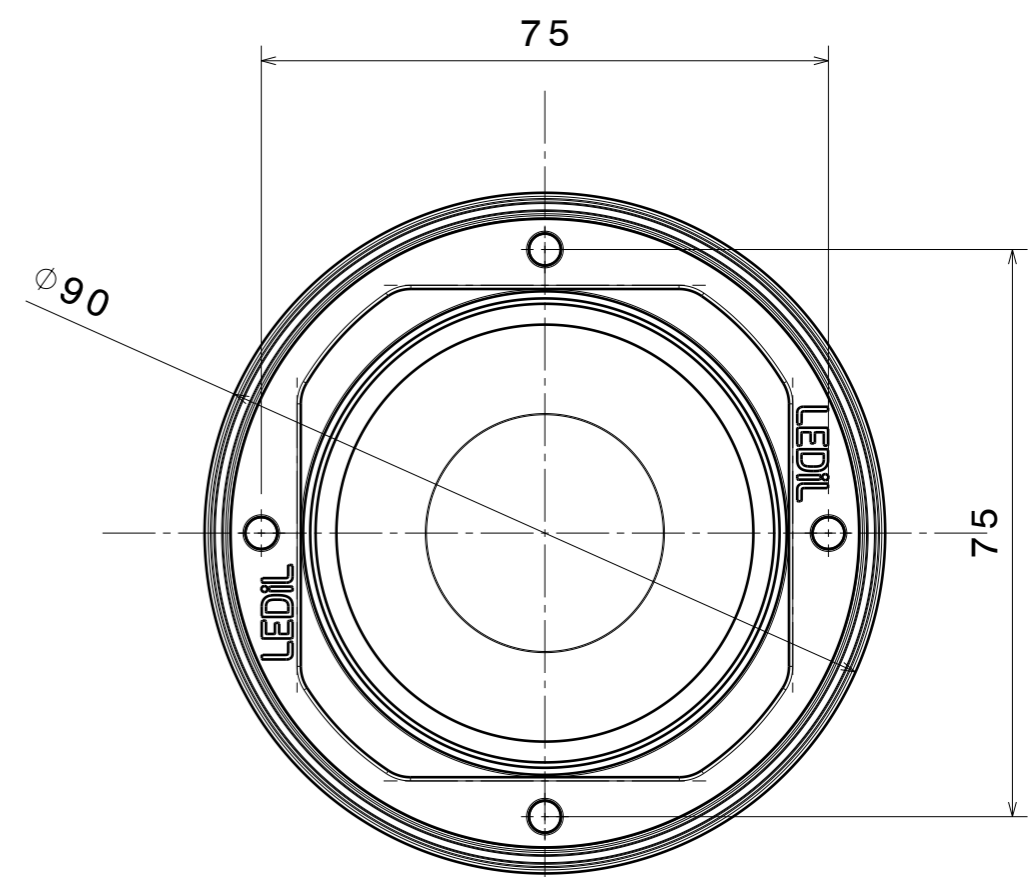


LED Center position

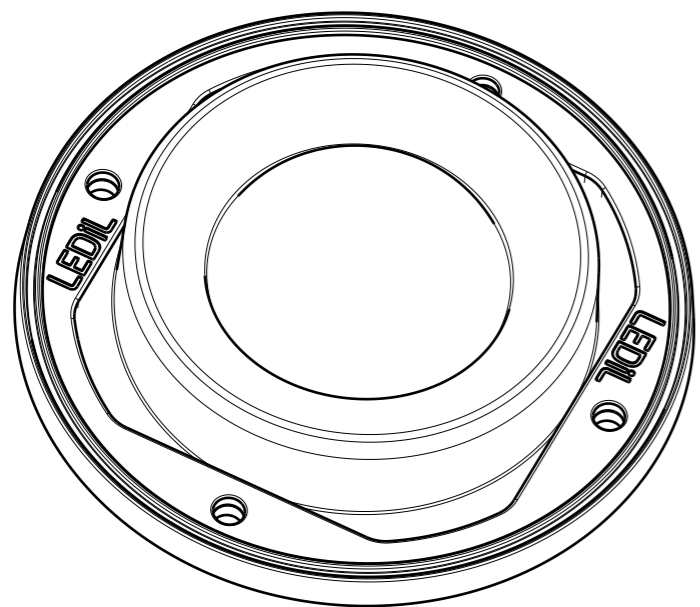
Bottom view



Right view



Front view



Isometric view

Lens Material: Optical grade LSR
Frame material: PC black

Tolerances if not otherwise shown
According to DIN ISO 2768-1
Linear measures:
Up to 30mm class M, otherwise class C.
According to DIN ISO 2768-2
Form and position: class L

LEDiL LediL Oy
Salorankatu 10
FIN 24240 SALO
Finland

THIRD ANGLE PROJECTION:

DRAWING TITLE
STELLA-HB datasheet

This drawing is the property of LEDiL Oy. It may not be reproduced, copied or communicated without a written agreement with LEDiL Oy."

SIZE	PART NUMBER
A3	FN14074

SCALE	1:1	WEIGHT	(g)	SHEET	1/1
-------	-----	--------	-----	-------	-----

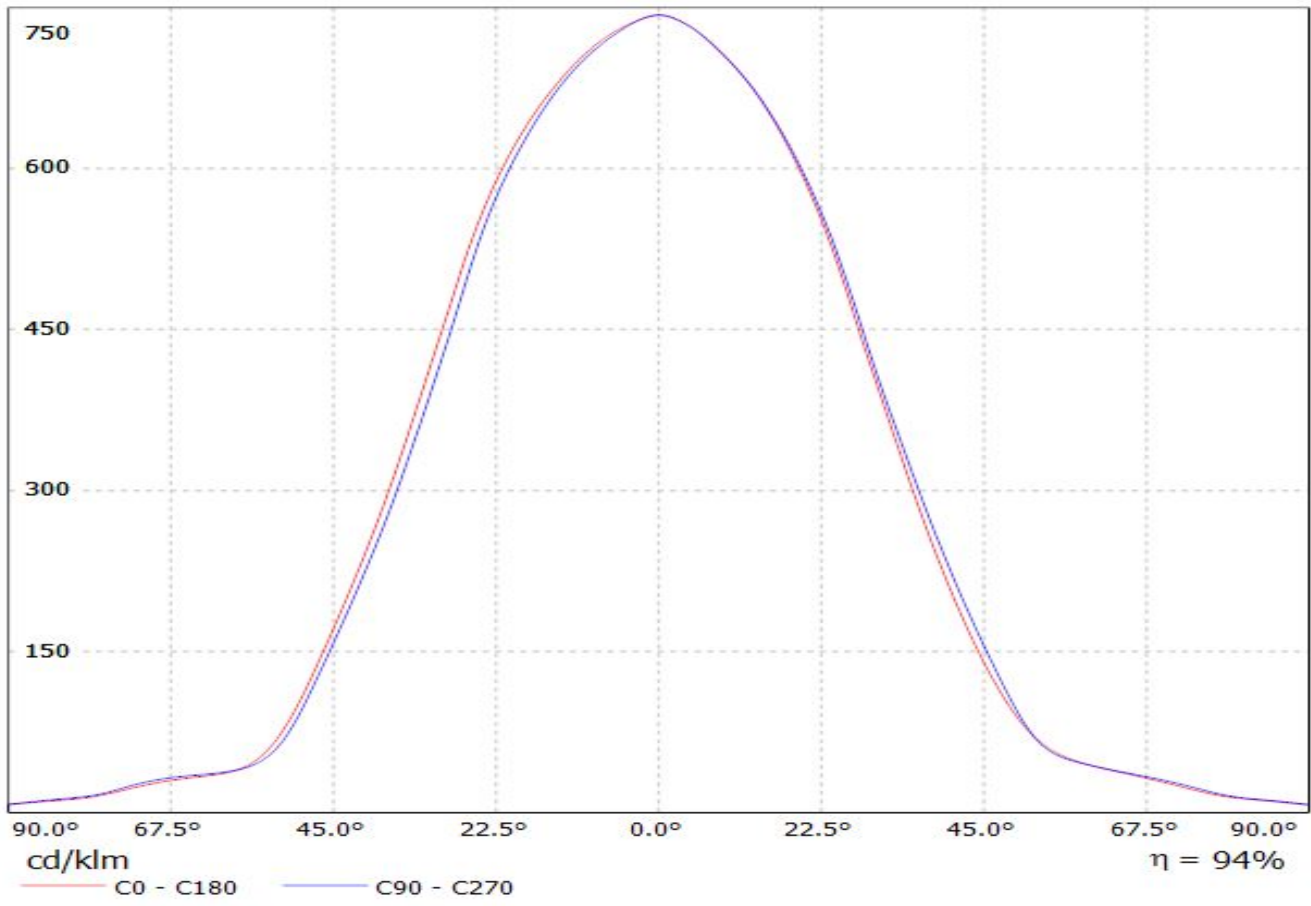
1

1

H G B A

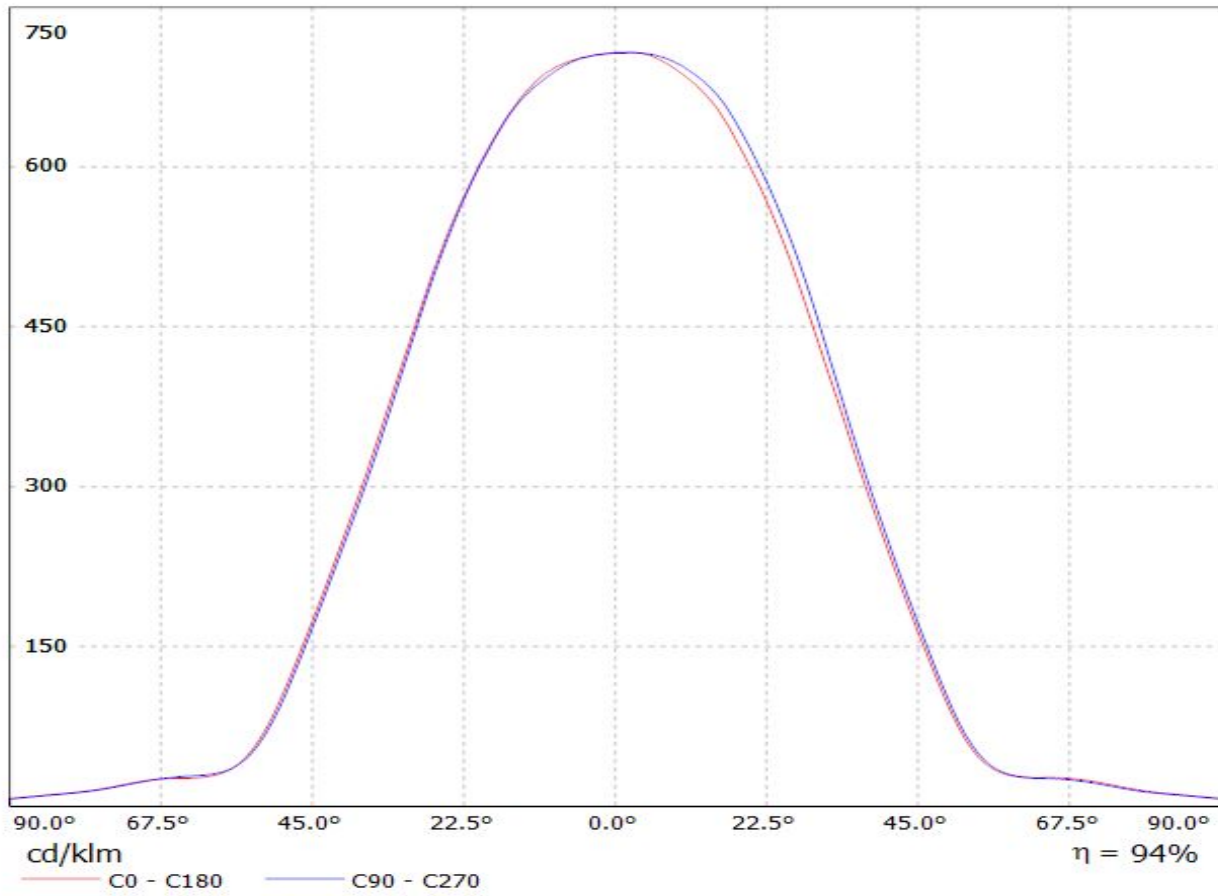
Luminaire: LEDiL Oy FN14074_STELLA-HB_(CLL050)

Lamps: 1 x CLL050+_B+W_458_Typ_L4_1471.17lm@250mA_P=12.0411W_I=250mA



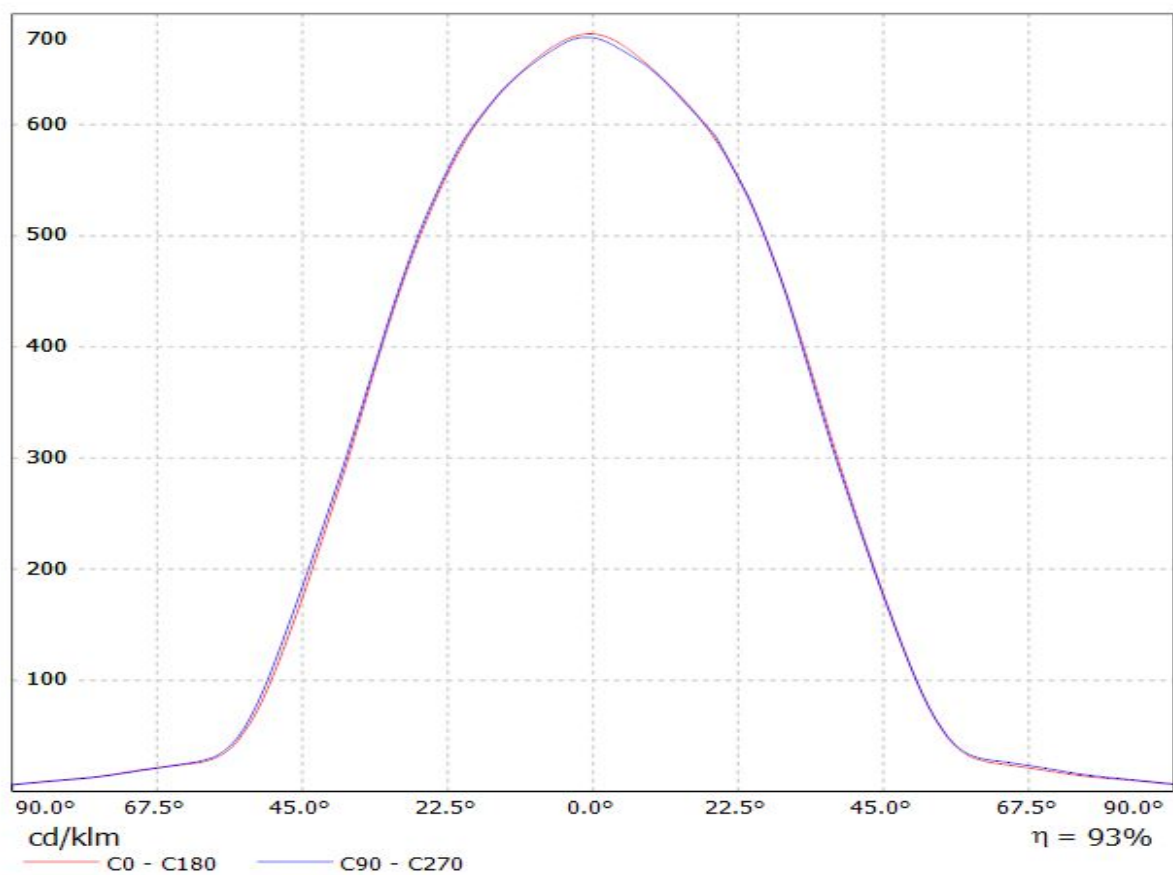
Luminaire: LEDiL Oy FN14074_STELLA-HB_(VERO29)

Lamps: 1 x Bridgelux_VERO29_(BXRC-50C10K0-L-04)_568.615lm@100mA_CCT=1399K_P=3.4015W_I=100.1mA



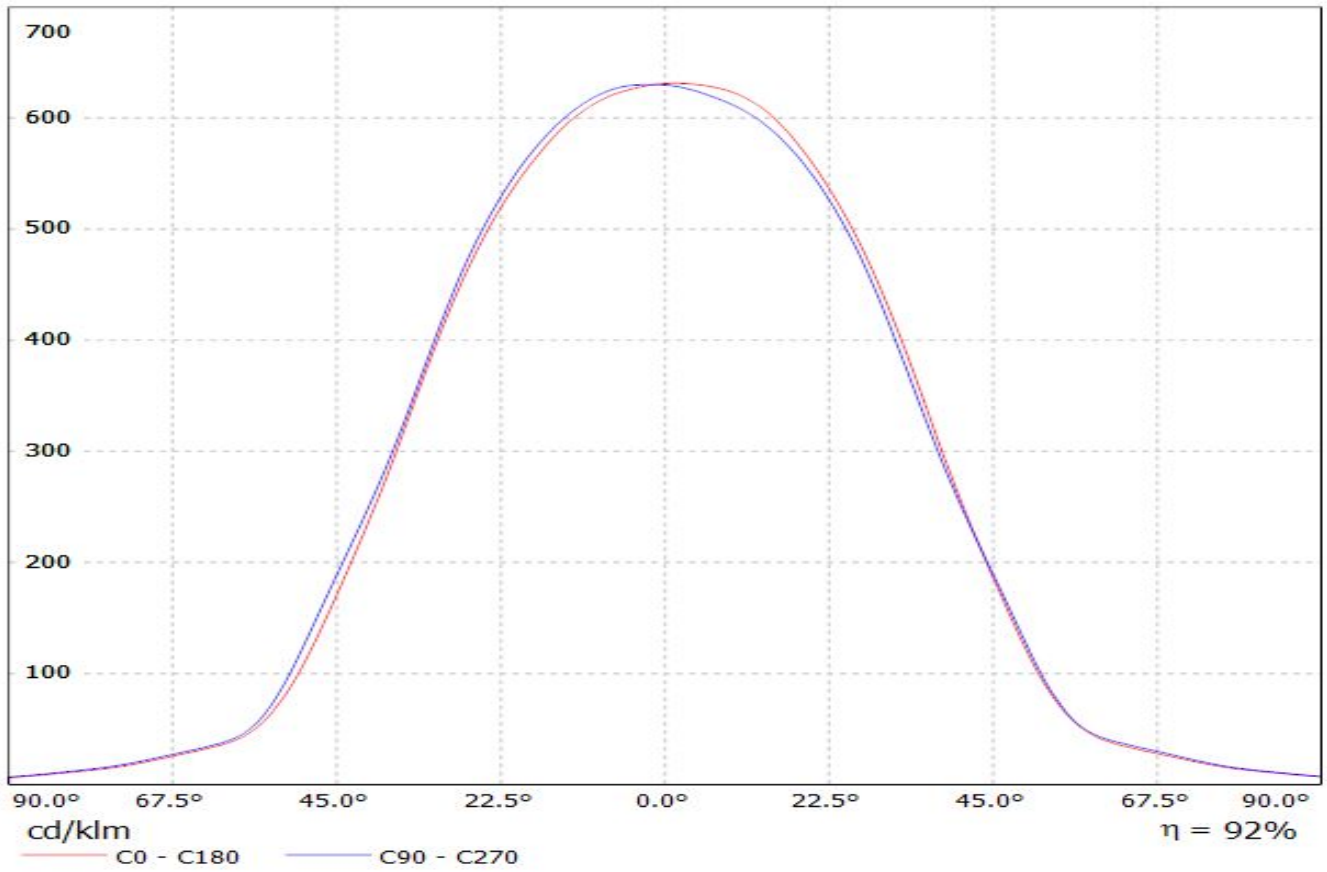
Luminaire: LEDiL Oy FN14074_STELLA-HB_(CXA3590)

Lamps: 1 x Cree_CXA3590_(CXA3590-30F-BD-R0H-0002)_2639.65lm@250mA_CCT=3000K_P=16.3039W_I=249.8mA

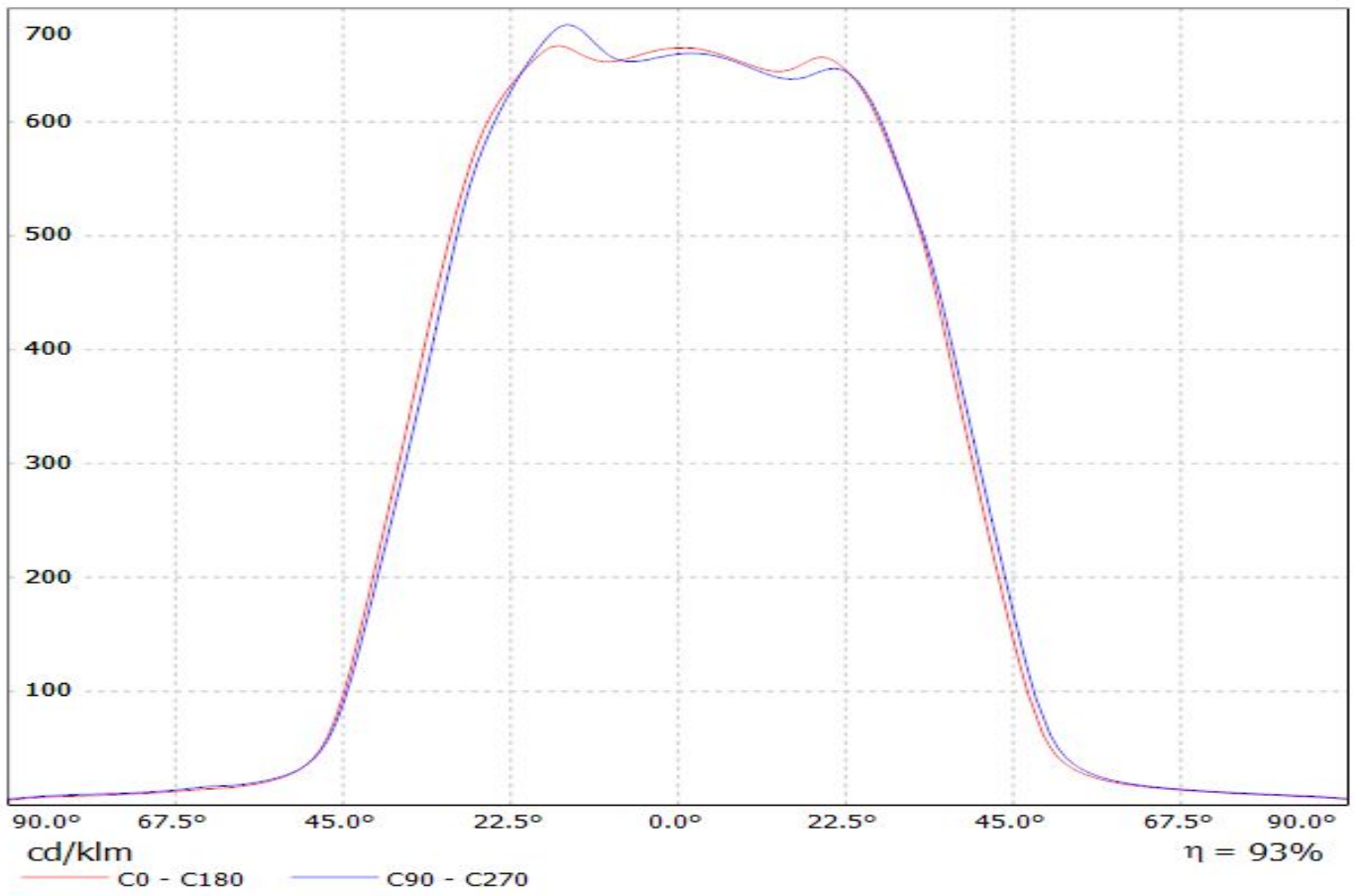


Luminaire: LEDiL Oy FN14074_STELLA-HB_(CLL050) Eff.92.5%

Lamps: 1 x CITIZEN_CLL050_(1825A1-50KL1A1)_1941.5lm@250mA_CCT=5000K_P=11.9872W_I=249.8mA

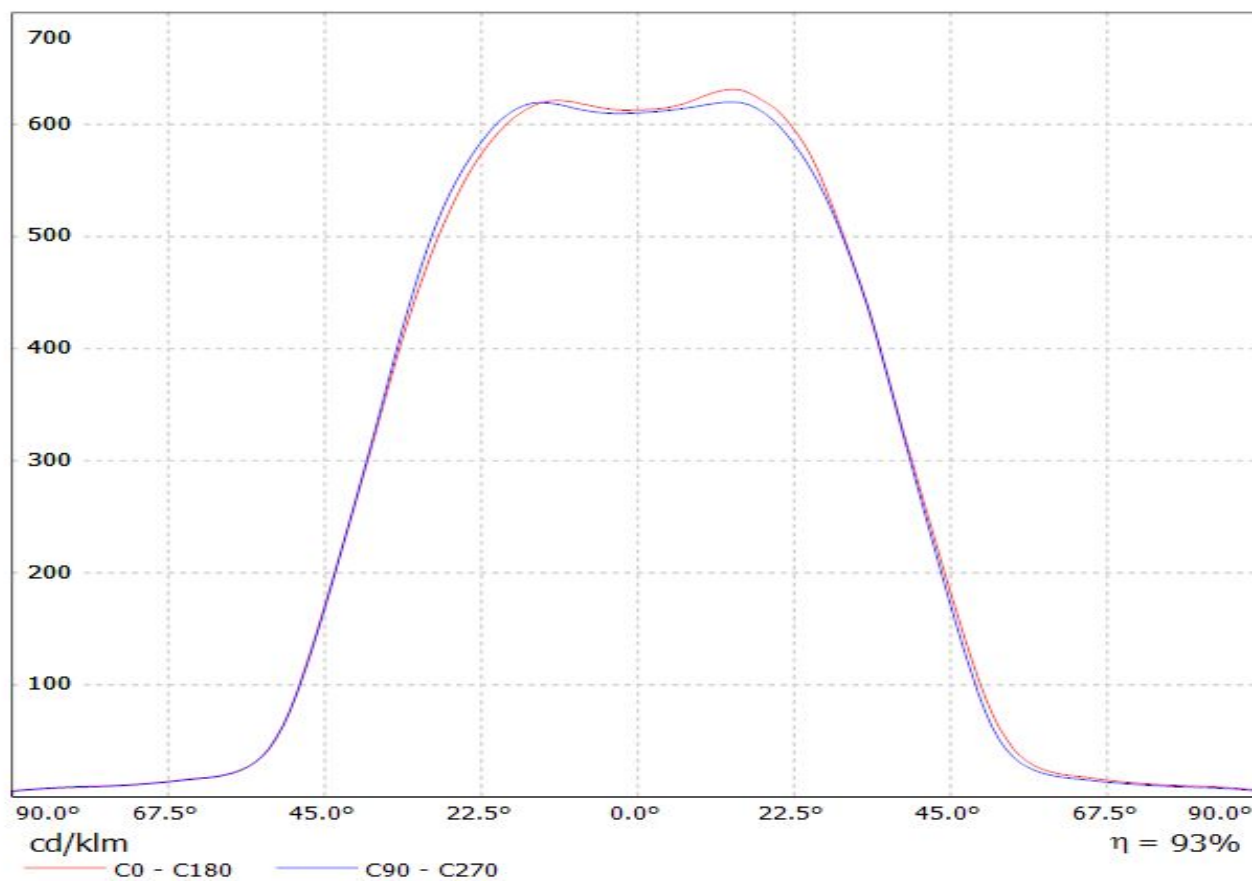


Luminaire: LEDiL Oy FN14074_STELLA-HB_(VERO18) Eff.93%
Lamps: 1 x VERO18_(BXRC30E4000F)_904.503lm@250mA P=6.79928W I=249.9mA

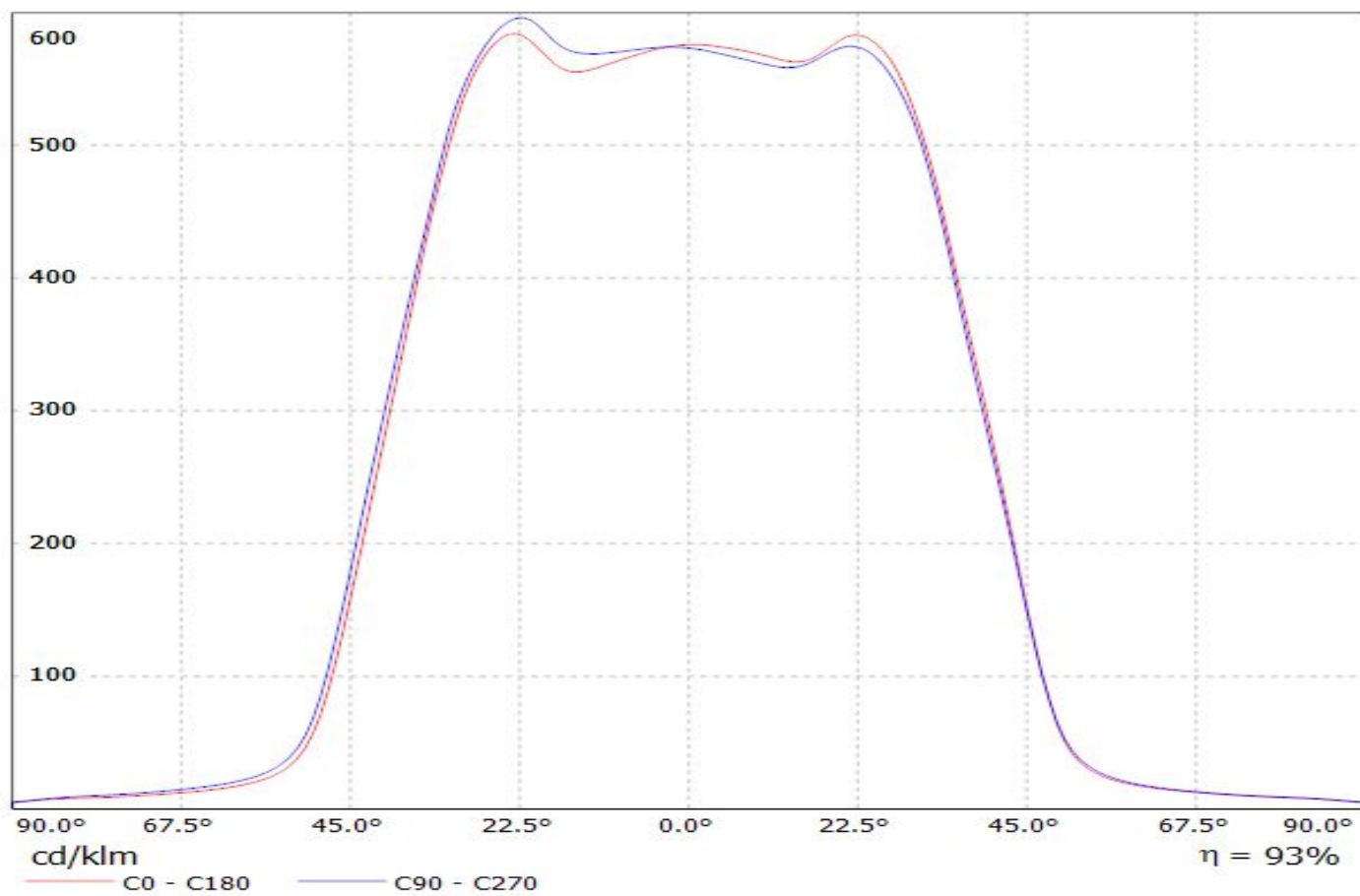


Luminaire: LEDiL Oy FN14074_STELLA-HB_(CXA3050)

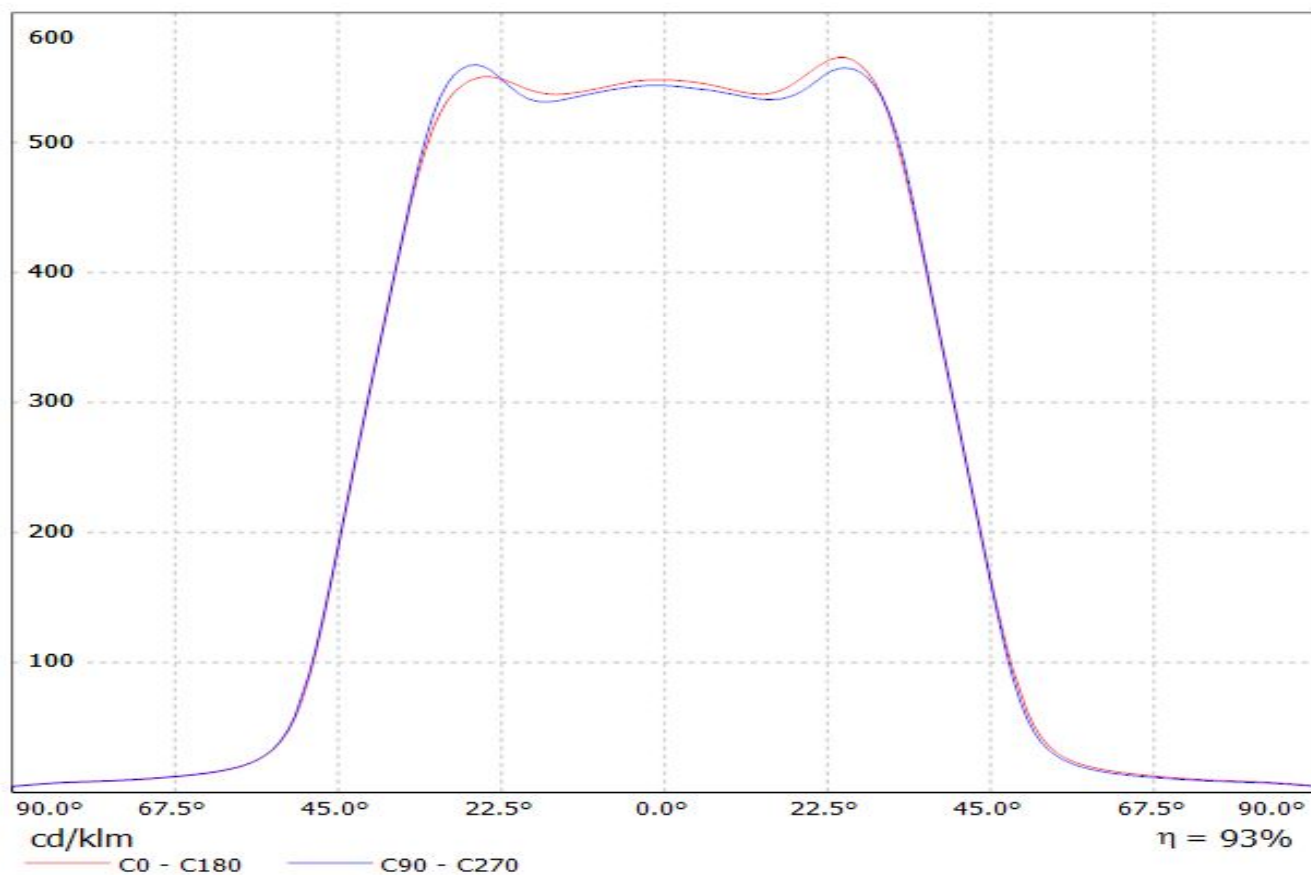
Lamps: 1 x Cree_CXA30_(CXA3050-3C0-Y2-N0H)_1369.14lm@250mA_CCT=5000K_P=8.14498W_I=249.8mA



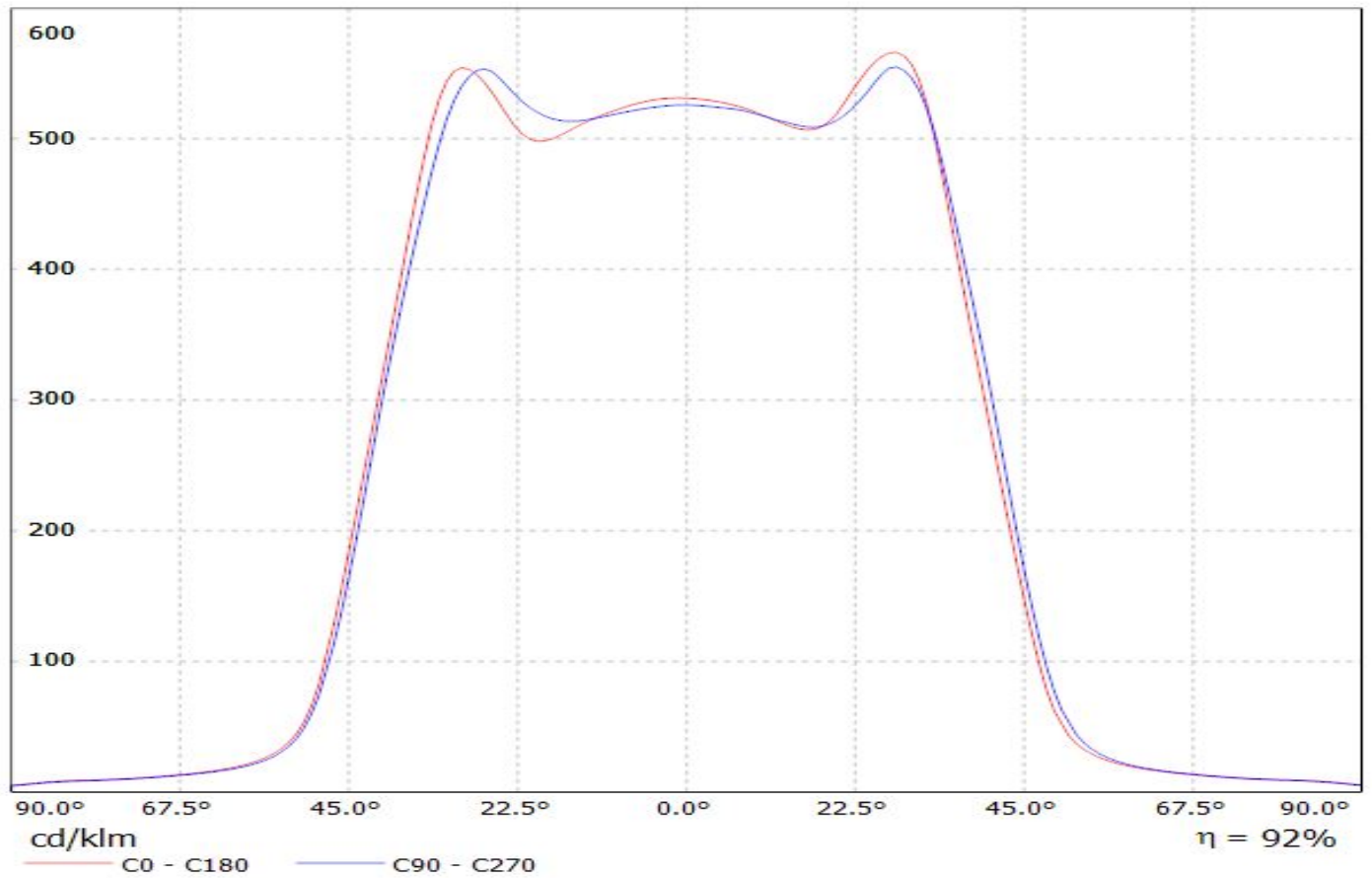
Luminaire: LEDiL Oy FN14074_STELLA-HB_(CXM-18) Eff.92.8%
Lamps: 1 x LUMINUS_XNOVA_CXM-18_897.842lm@250mA_P=8.12425W_I=249.9mA



Luminaire: LEDiL Oy FN14074_STELLA-HB_(CXA25)
Lamps: 1 x CREE_CXA25_(2520-7A-N4-N0U)_872.554lm@250mA_CCT=3000K_P=8.53567W_I=249.8mA

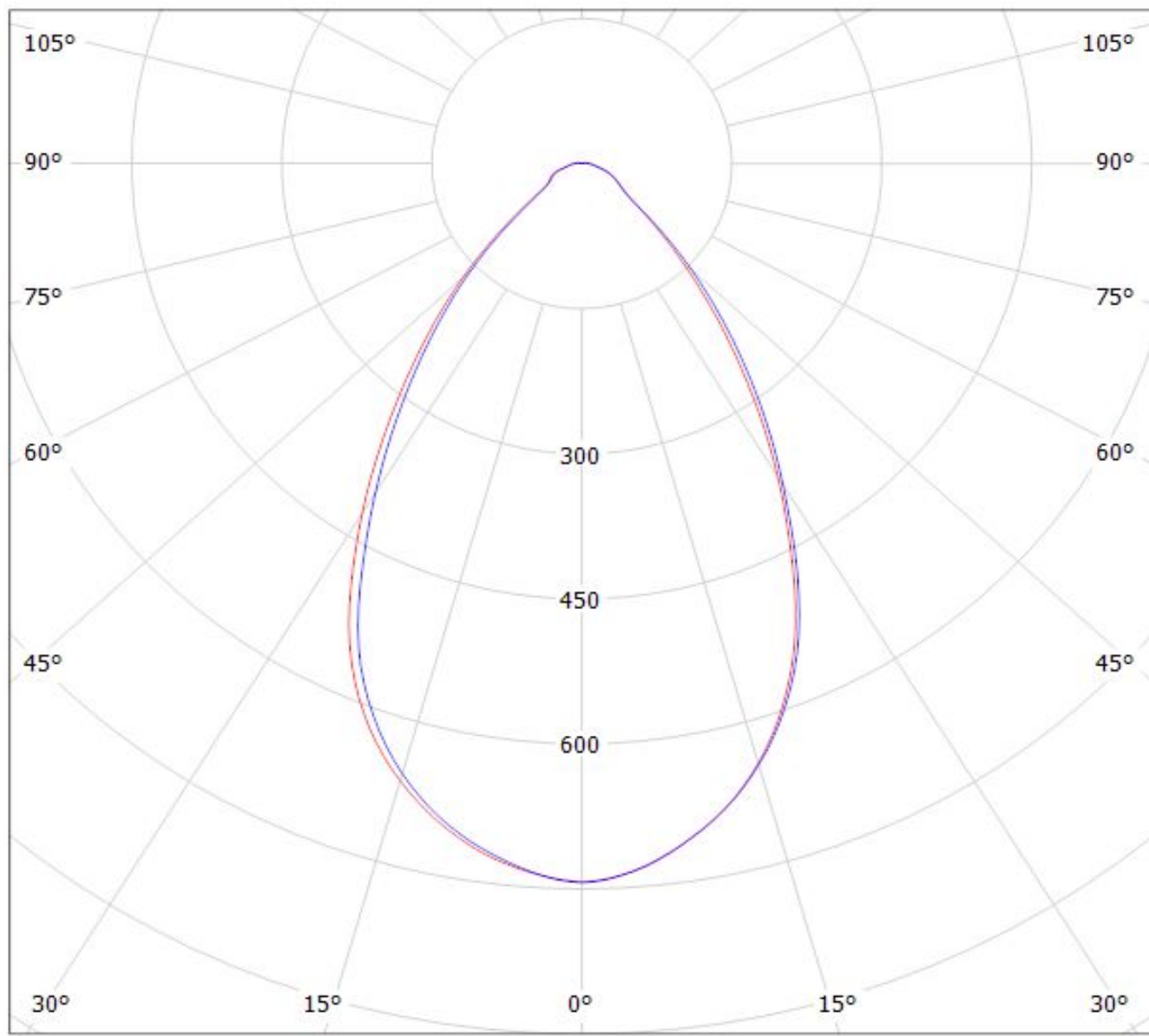


Luminaire: LEDiL Oy FN14074_STELLA-HB_(SOLERIQ_S19) Eff.92.3%
Lamps: 1 x OSRAM_SOLERIQ_S19_(GW_KAHJB1.EM)
_1401.57lm@250mA_CCT=3000K_P=10.4274W_I=249.8mA



Luminaire: LEDiL Oy FN14074_STELLA-HB_(CLL050)

Lamps: 1 x CLL050+_B+W_458_Typ_L4_1471.17lm@250mA_P=12.0411W_I=250mA



cd/klm

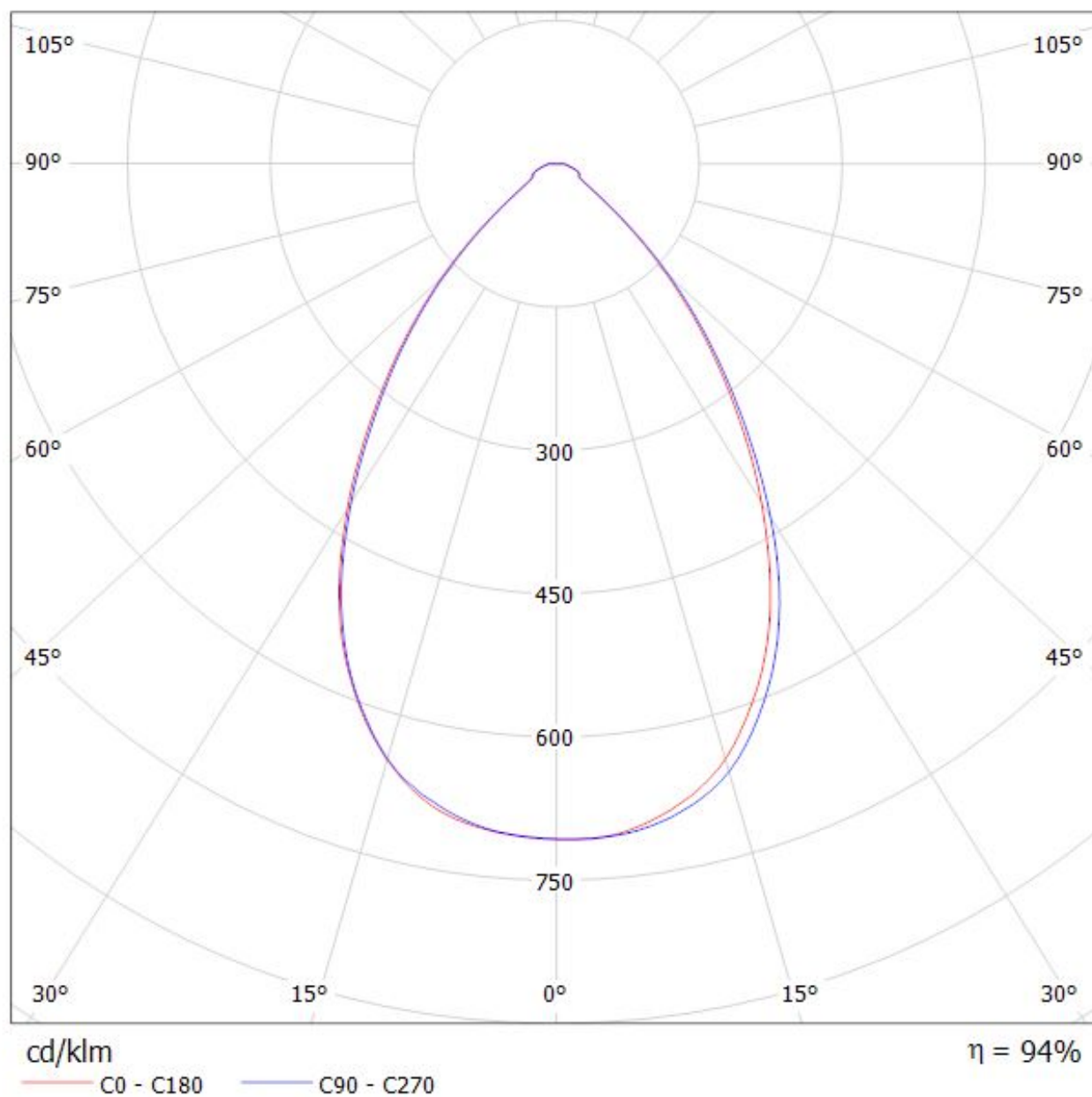
— C0 - C180

— C90 - C270

$\eta = 94\%$

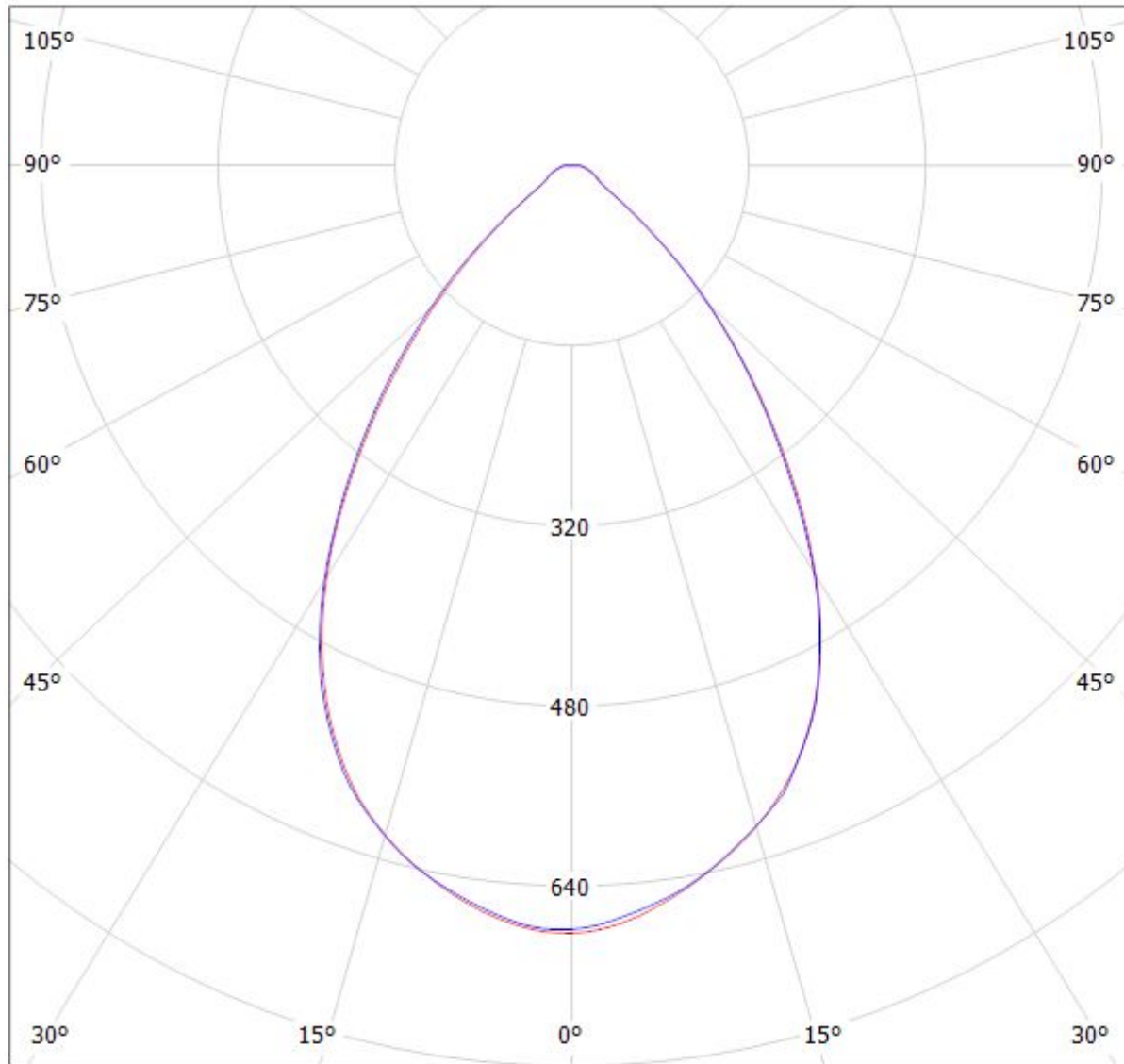
Luminaire: LEDiL Oy FN14074_STELLA-HB_(VERO29)

Lamps: 1 x Bridgelux_VERO29_(BXRC-50C10K0-L-04)_568.615lm@100mA_CCT=1399K_P=3.4015W_I=100.1mA



Luminaire: LEDiL Oy FN14074_STELLA-HB_(CXA3590)

Lamps: 1 x Cree_CXA3590_(CXA3590-30F-BD-R0H-0002)_2639.65lm@250mA_CCT=3000K_P=16.3039W_I=249.8mA



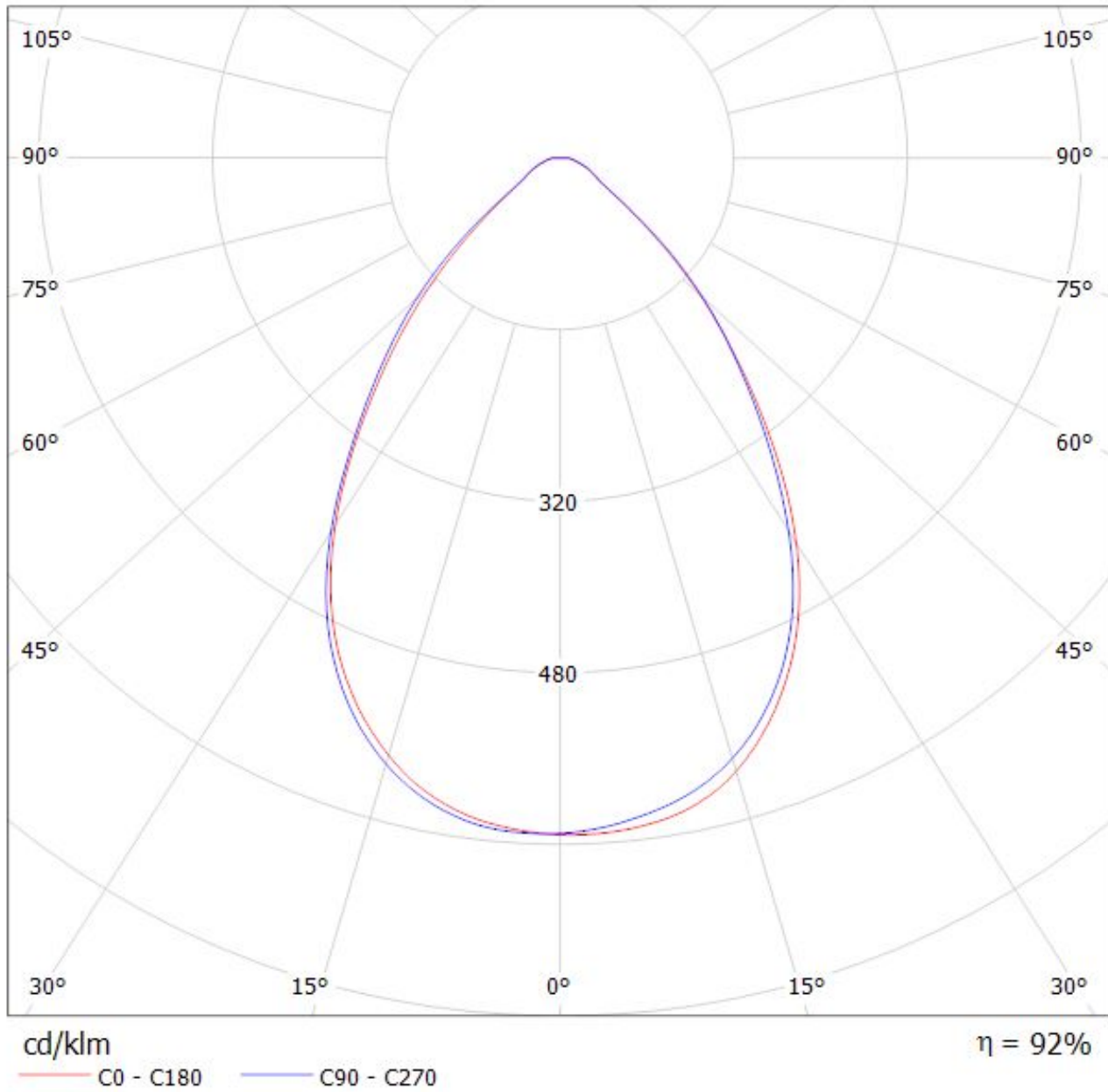
cd/klm

— C0 - C180 — C90 - C270

$\eta = 93\%$

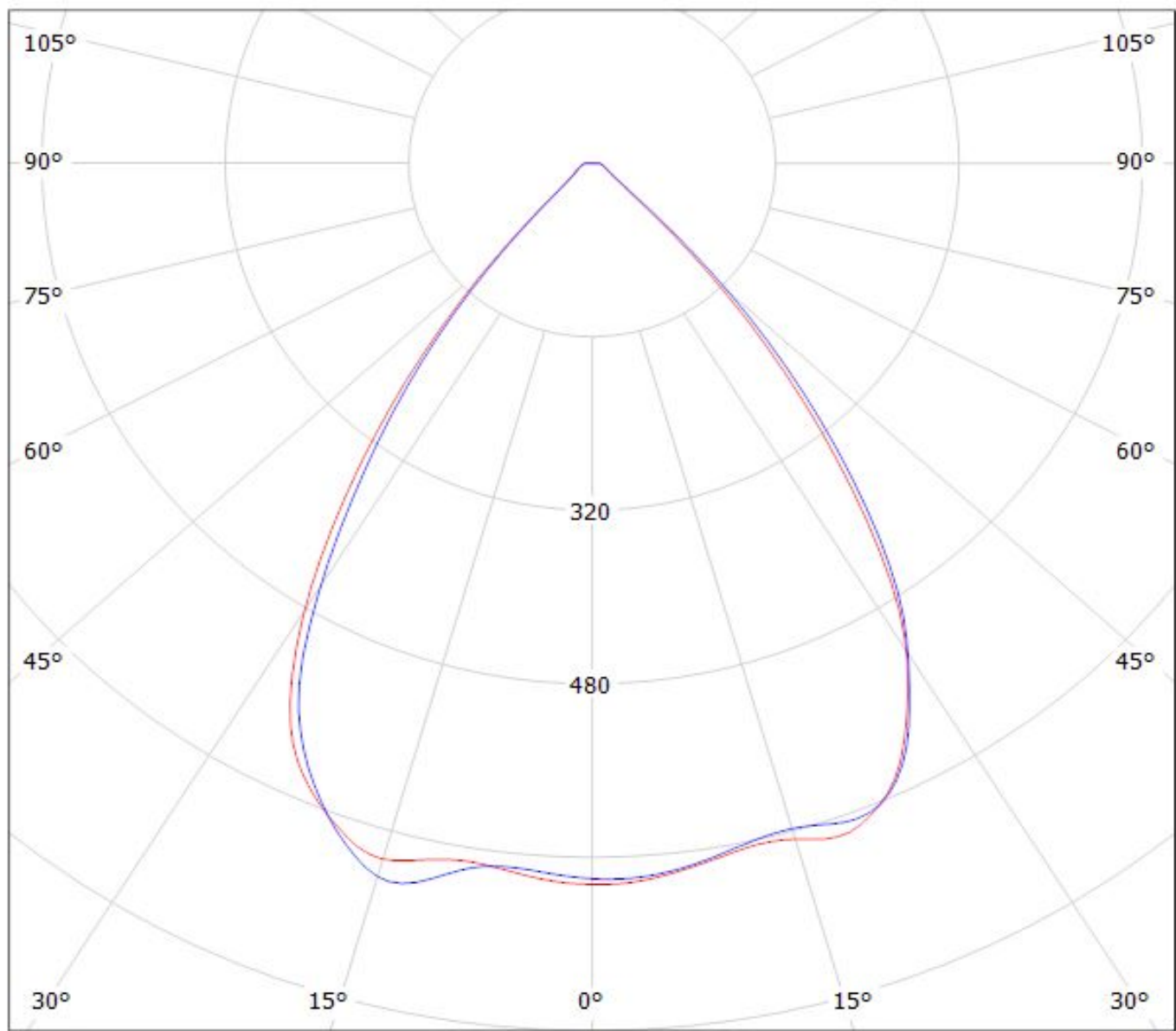
Luminaire: LEDiL Oy FN14074_STELLA-HB_(CLL050) Eff.92.5%

Lamps: 1 x CITIZEN_CLL050_(1825A1-50KL1A1)_1941.51lm@250mA_CCT=5000K_P=11.9872W_I=249.8mA



Luminaire: LEDiL Oy FN14074_STELLA-HB_(VERO18) Eff.93%

Lamps: 1 x VERO18_(BXRC30E4000F)_904.503lm@250mA P=6.79928W I=249.9mA



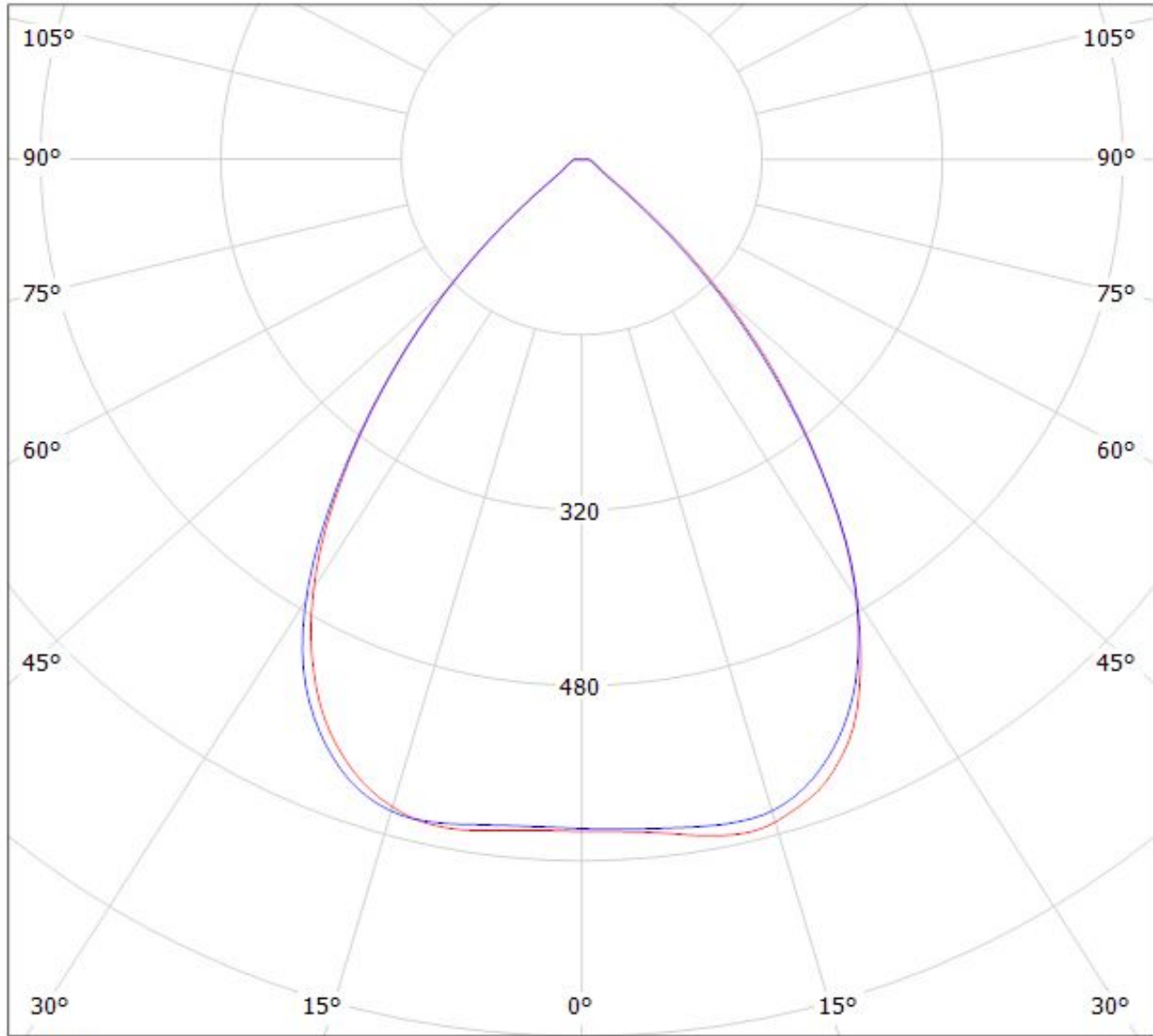
cd/klm

— C0 - C180 — C90 - C270

$\eta = 93\%$

Luminaire: LEDiL Oy FN14074_STELLA-HB_(CXA3050)

Lamps: 1 x Cree_CXA30_(CXA3050-3C0-Y2-N0H)_1369.14lm@250mA_CCT=5000K_P=8.14498W_I=249.8mA



cd/klm

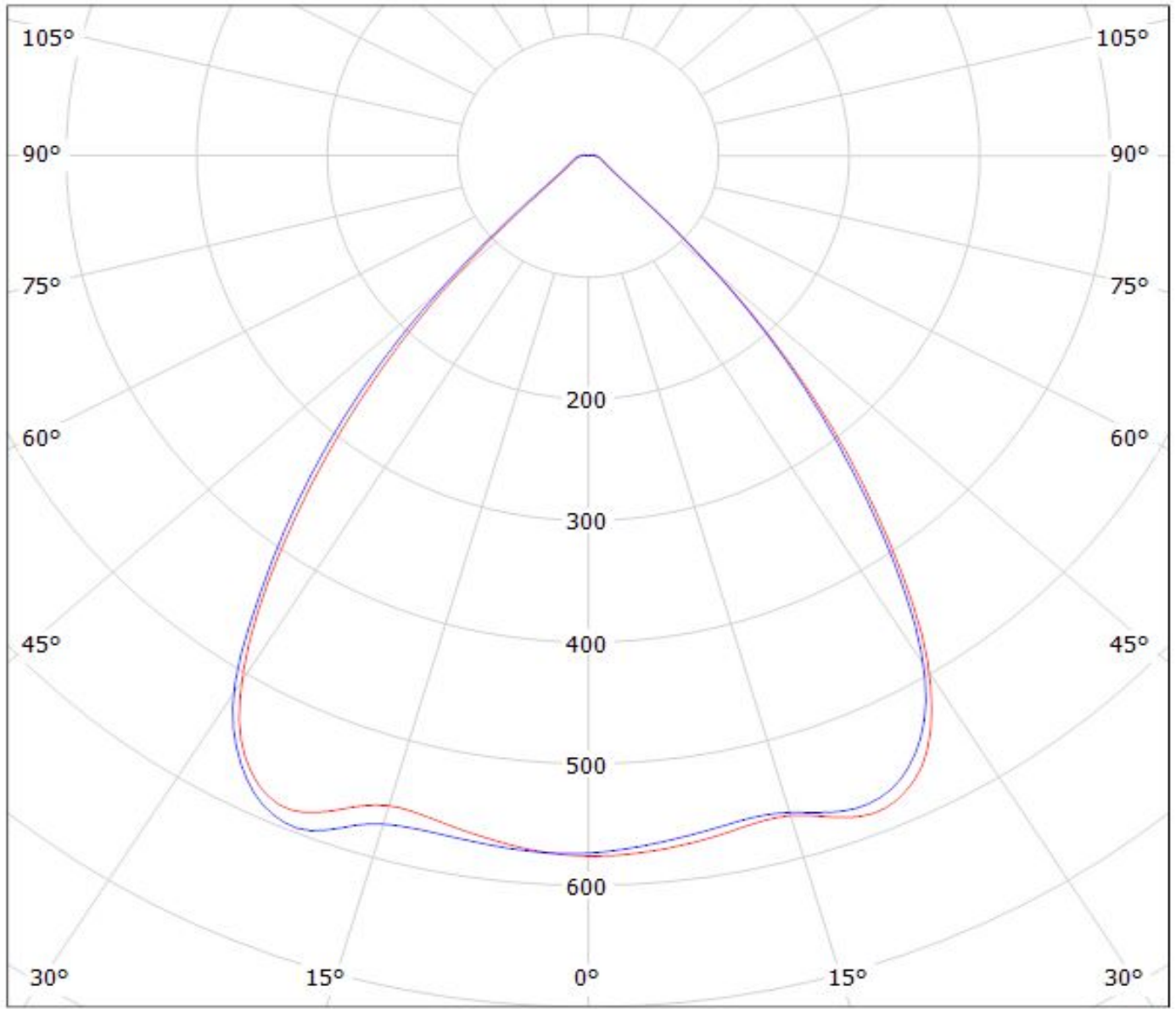
— C0 - C180

— C90 - C270

$\eta = 93\%$

Luminaire: LEDiL Oy FN14074_STELLA-HB_(CXM-18) Eff.92.8%

Lamps: 1 x LUMINUS_XNOVA_CXM-18_897.842lm@250mA_P=8.12425W_I=249.9mA



cd/klm

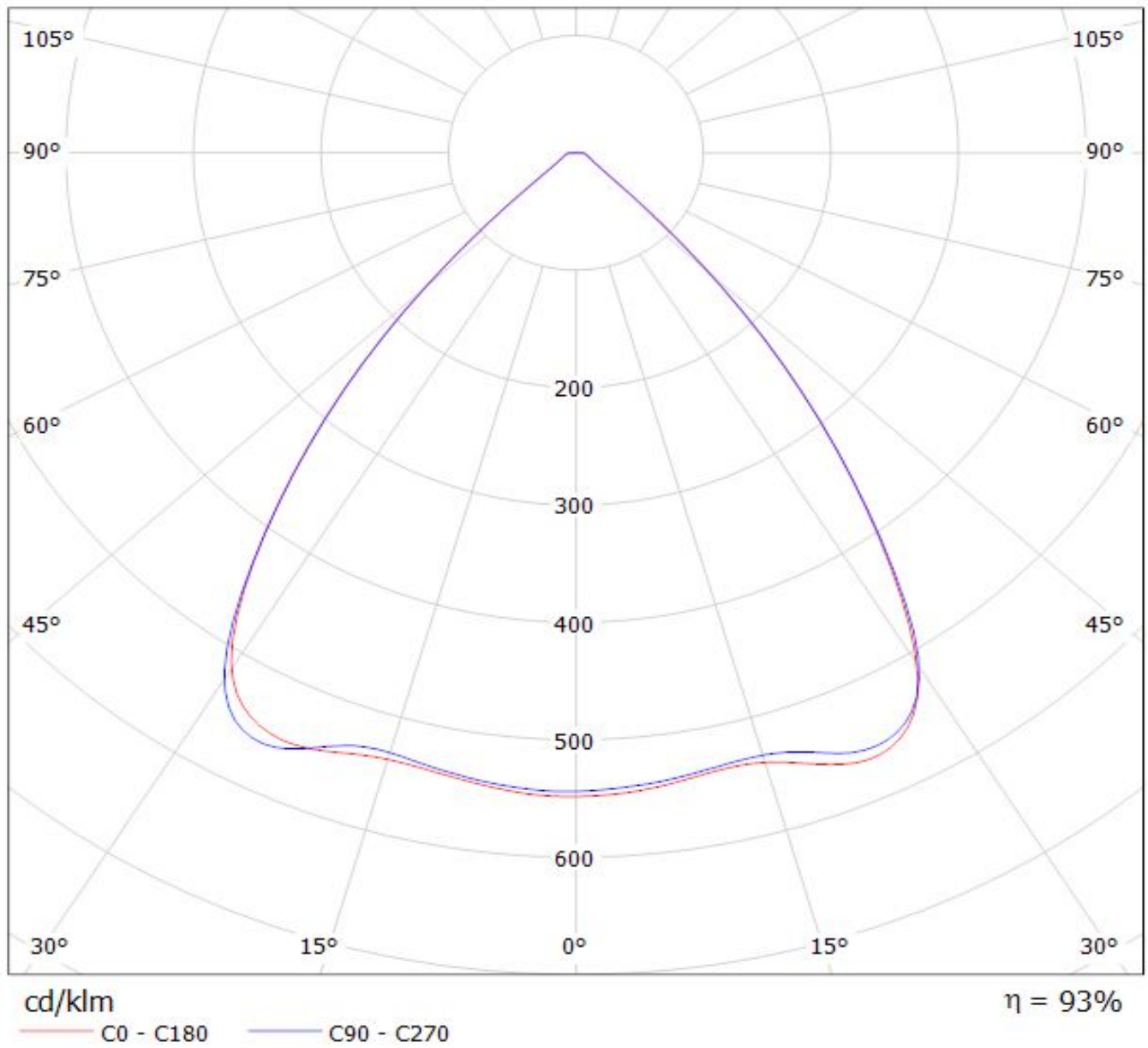
— C0 - C180

— C90 - C270

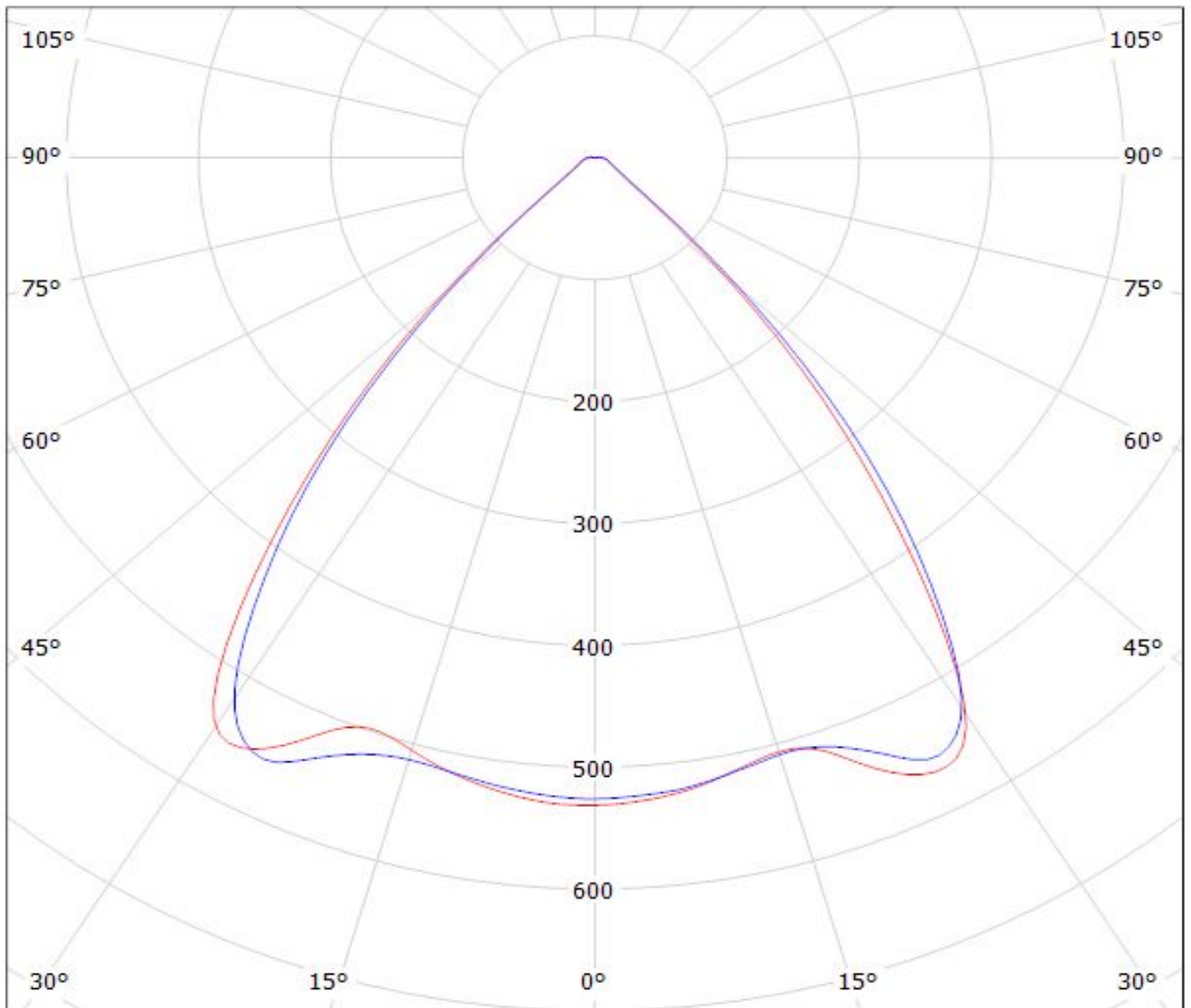
$\eta = 93\%$

Luminaire: LEDiL Oy FN14074_STELLA-HB_(CXA25)

Lamps: 1 x CREE_CXA25_(2520-7A-N4-N0U)_872.554lm@250mA_CCT=3000K_P=8.53567W_I=249.8mA



Luminaire: LEDiL Oy FN14074_STELLA-HB_(SOLERIQ_S19) Eff.92.3%
Lamps: 1 x OSRAM_SOLERIQ_S19_(GW_KAHJB1.EM)
_1401.57lm@250mA_CCT=3000K_P=10.4274W_I=249.8mA



cd/klm

$\eta = 92\%$

— C0 - C180 — C90 - C270

NOTE: The typical divergence will be changed by different color, chip size and chip position tolerance. The typical total divergence is the full angle measured where the luminous intensity is half of the peak value.

GENERAL INFORMATION

- Product series especially designed & optimized for series of LEDs.
- Special care taken to make light distribution as uniform as possible.

Note! Due to use of high power COB's with this product, special attention to proper thermal design is highly recommended. LEDiL has no liability for direct, indirect or consecutive damages arising from the LEDiL products being used outside of the recommended temperature range.