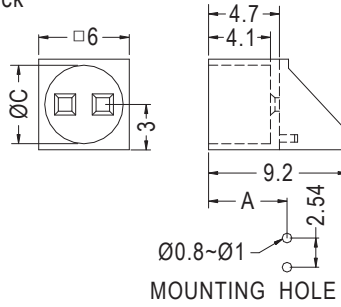


90° LED燈座 90° LED HOLDER

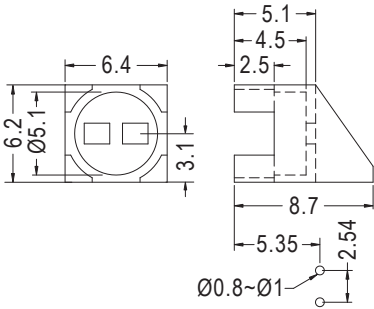
用途：使 $\varnothing 5$ mm LED成90°焊於PC板上，高度一致，不斷腳。



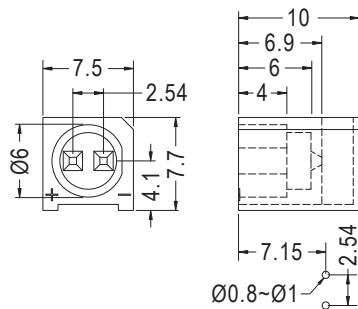
- Material: Nylon 66 (UL)
- Flame Class: 94V-2/94V-0
- Color: Black
- Unit: mm



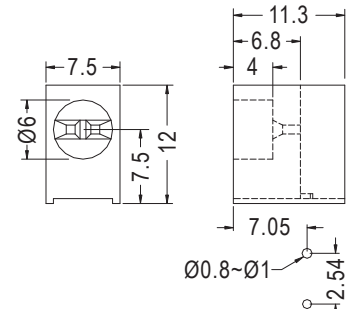
| Part No. | A | C | Package |
|----------|------|-----|---------|
| LED-502 | 4.95 | 5.2 | 2000 |
| LED-502S | 5.0 | 4.9 | |



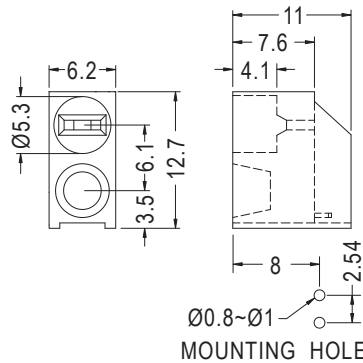
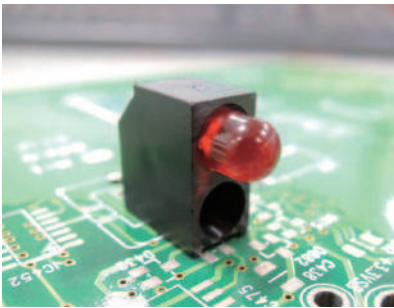
| Part No. | Package |
|-----------|---------|
| LED1L-2.5 | 2000 |



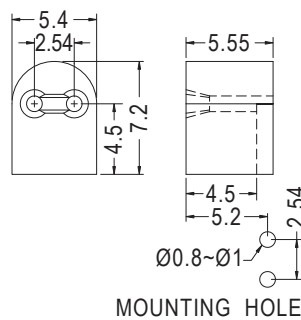
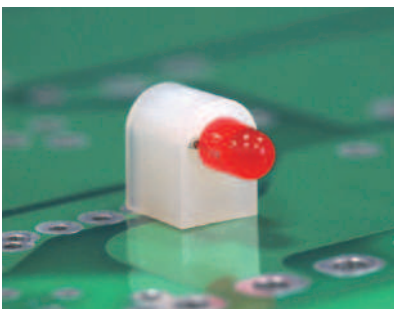
| Part No. | Package |
|----------|---------|
| LED-542 | 1000 |



| Part No. | Package |
|----------|---------|
| LED-504 | 1000 |

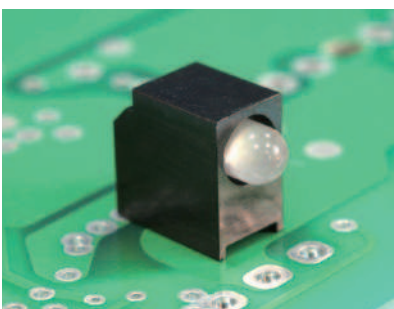


| Part No. | Package |
|----------|---------|
| LED-528 | 1000 |



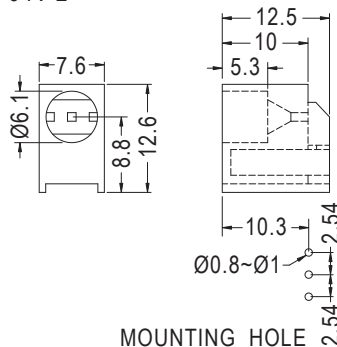
• Color: Natural/Black

| Part No. | Package |
|----------|---------|
| LEAH-4.5 | 2000 |



- Material: PC (UL)
- Flame Class: 94V-2
- Color: Black
- Unit: mm

用途：使 $\varnothing 5$ mm 3 PIN LED成90°焊於PC板上，高度一致，不斷腳。



| Part No. | Package |
|----------|---------|
| LED-535 | 500 |