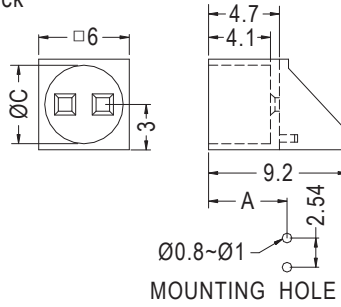


# 90° LED燈座 90° LED HOLDER

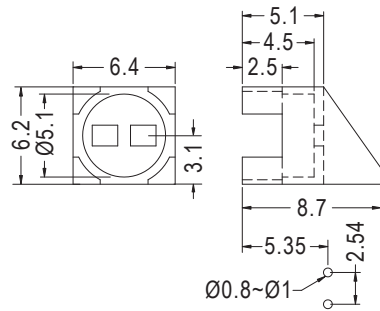
用途：使 $\varnothing 5$  mm LED成90°焊於PC板上，高度一致，不斷腳。



- Material: Nylon 66 (UL)
- Flame Class: 94V-2/94V-0
- Color: Black
- Unit: mm

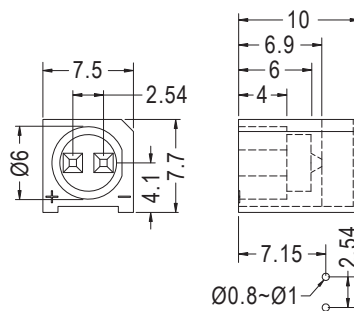


Part No.	A	C	Package
LED-502	4.95	5.2	2000
LED-502S	5.0	4.9	



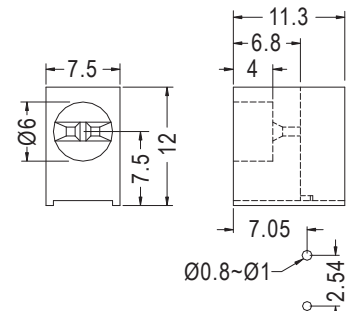
MOUNTING HOLE

Part No.	Package
LED1L-2.5	2000



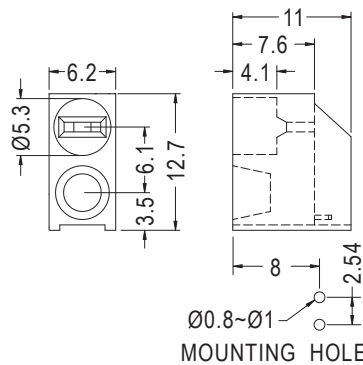
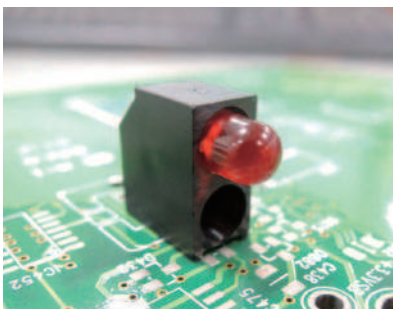
MOUNTING HOLE

Part No.	Package
LED-542	1000



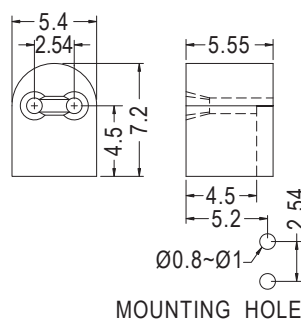
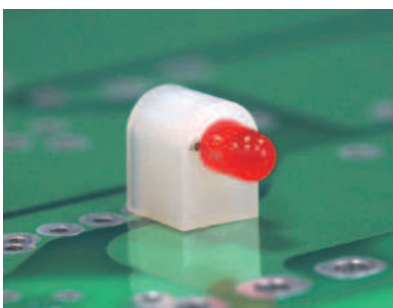
MOUNTING HOLE

Part No.	Package
LED-504	1000



MOUNTING HOLE

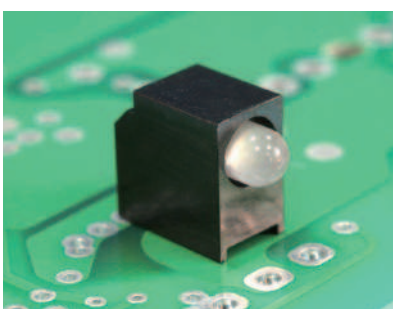
Part No.	Package
LED-528	1000



MOUNTING HOLE

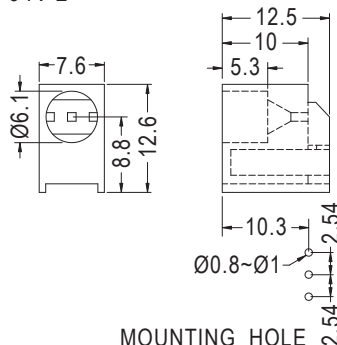
- Color: Natural/Black

Part No.	Package
LEAH-4.5	2000



- Material: PC (UL)
- Flame Class: 94V-2
- Color: Black
- Unit: mm

用途：使 $\varnothing 5$  mm 3 PIN LED成90°焊於PC板上，高度一致，不斷腳。



MOUNTING HOLE

Part No.	Package
LED-535	500