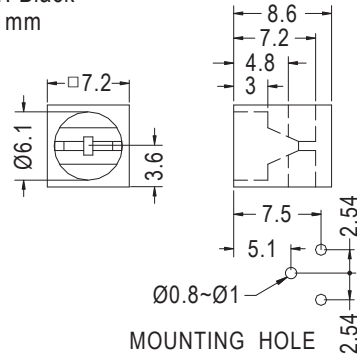


90° LED燈座 90° LED HOLDER

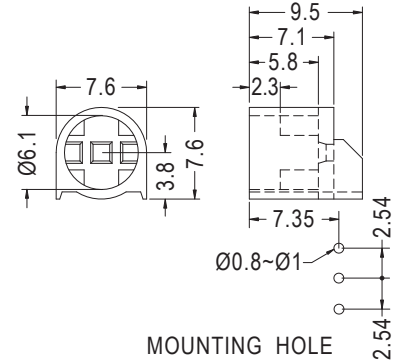
用途：使 $\varnothing 5$ mm 3 PIN LED成90°焊於PC板上，高度一致，不斷腳。



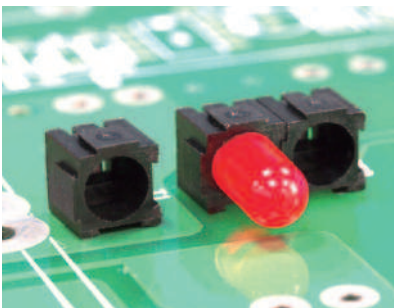
- Material: Nylon 66 (UL)
- Flame Class: 94V-2/94V-0
- Color: Black
- Unit: mm



Part No.	Package
LED-503	1000

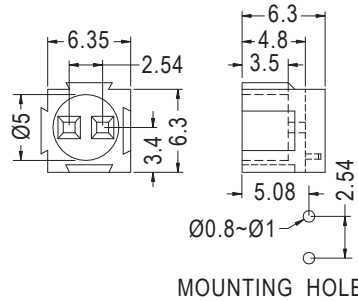


Part No.	Package
LED-501	1000



- Material: Nylon 66 (UL)
- Flame Class: 94V-2/94V-0
- Color: Black
- Unit: mm

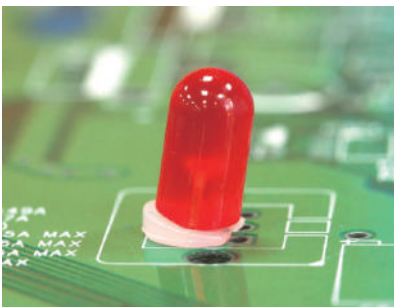
用途：使 $\varnothing 5$ mm LED成90°焊於PC板上，高度一致，不斷腳，可組合使用。



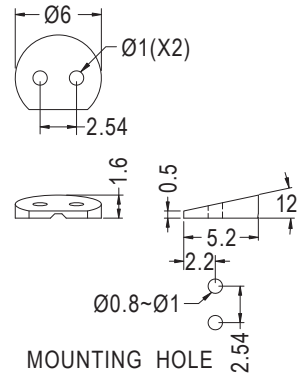
Part No.	Package
LED-6501	2000

LED燈座 LED MOUNT

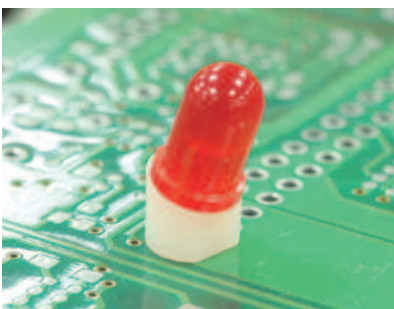
用途：使 $\varnothing 5$ mm LED成斜角焊於PC板上，高度一致，不斷腳。



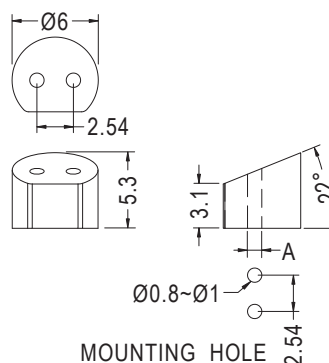
- Material: Nylon 66 (UL)
- Flame Class: 94V-2/94V-0
- Color: Natural/Black
- Unit: mm



Part No.	Package
LEDA-7	1000



- Material: Nylon 66 (UL)/ABS (UL)
- Flame Class: 94HB/94V-2/94V-0
- Color: Natural/Black
- Unit: mm



Part No.	A	Package
LEDA-2S	0.9	1000
LEDA-2	1.0	