

Microscopes Quick Start Guide

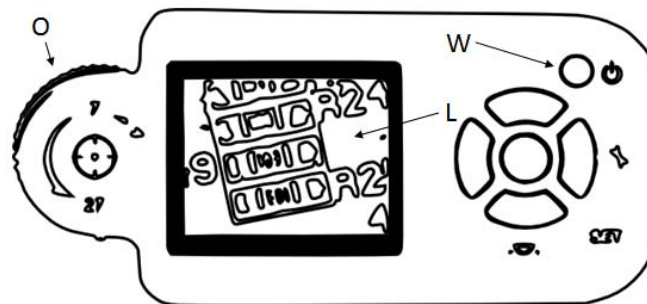
1. Introduction

Dear Customer! Thank you for your purchase in TME! To protect the environment we have prepared for you this quick start guide. Before operating the unit, please read it carefully. Please visit www.tme.eu Illustrations in this manual are only example images and may differ from the actual item. It does not change their main characteristics.

2. Application

The device is designed for the observation of small objects usually invisible to the naked eye.

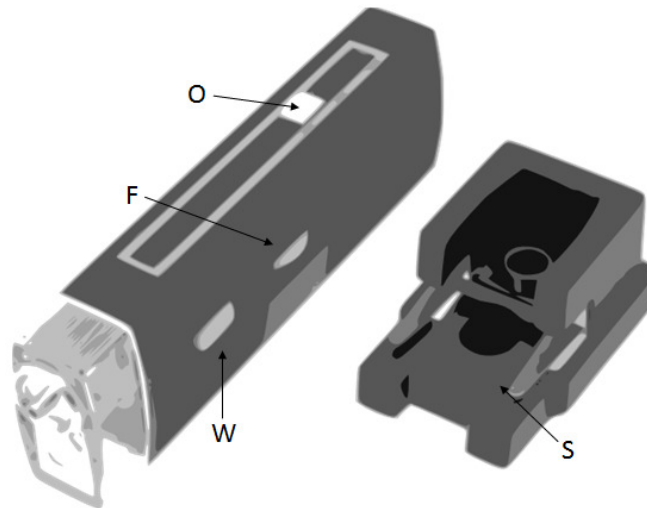
3. Unit setup and operation



Transfer Multisort Elektronik Sp. z o.o.

ul. Ustronna 41, 93-350 Łódź, Poland, correspondence address: 90-951 Łódź 40, PO BOX 2071
tel. +48 42 645 54 44, fax +48 42 645 54 70, export@tme.eu, www.tme.eu

VAT ID: PL7290108984, REGON (NACE): 473171710, District Court for Łódź-Śródmieście, NCR: 0000165815, initial capital: 3 300 000 PLN



F - Focus
 L - LCD display
 O - Optical zoom
 S - Stand with observed objects holders
 W - Power on switch

- Set table microscope stable on a flat surface.
- Plug the power cord into the appropriate socket, if it exists in the device.
- Place a microscopic preparation in the holder, if there is one.
- Turn on the power using power button.
- Adjust the magnification and focus and observe the object through the eyepiece of the table microscope or on hand microscope display.

4. Precautions

- Always remove the examined object after finishing the work.
- In case of electric microscopes always unplug the power cord.
- Use the microscope only in a dry place.
- If you use a microscope in sunny places use extreme caution to avoid damage to the optical components of the microscope or eyesight.
- Metal surfaces of the microscope can be cleaned with a slightly damp cloth.
- Optical elements can be cleaned only with a dry and very soft cloth (microfibre).
- Dust should be removed with a soft brush.
- Do not disassemble the housing of the microscope!



Transfer Multisort Elektronik Sp. z o.o.

ul. Ustronna 41, 93-350 Łódź, Poland, correspondence address: 90-951 Łódź 40, PO BOX 2071
 tel. +48 42 645 54 44, fax +48 42 645 54 70, export@tme.eu, www.tme.eu

VAT ID: PL7290108984, REGON (NACE): 473171710, District Court for Łódź-Śródmieście, NCR: 0000165815, initial capital: 3 300 000 PLN