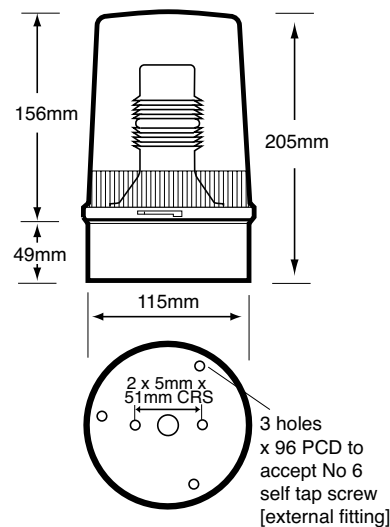


Visual Signals FLASHING FILAMENT

BEACONS



Industrial Flashing Filament Beacons > FF201/200 Series

Product overview

The FF201/200 Series operates through an internal circuit which simply cycles the lamp On and Off. These type of beacons generally give a much lower light output as it takes longer for the lamp to fully illuminate itself. These units are available with either a

filament or tungsten halogen lamp. The light output can be improved by the use of a Dioptic (Fresnel) or Reeded lens which is placed over the lamp capturing the light emitted, magnifying and directing it to increase the brightness of the visual signal. In terms of light coverage, this type of beacon is more efficient as it illuminates the whole surface of the beacon constantly through 360 degrees.

FEATURES

- Easy to clean external lens
- Suitable for use with conduit BESA box
- Continuously rated
- Suitable for surface or wall mounting
- Optional wall bracket & protective guard available - see accessory page
- 360° visibility
- IP65

MATERIAL

- UV Stable Polycarbonate Lens
- UV Stable ABS Plastic Base

Code No:	Voltage:	Light Source:	Current:
FF201-84	12v Dc ---	Ba15d x 21w	1.75 A
FF201-85	24v Dc ---	Ba15d x 21w	0.88 A
FF201-88	12v Dc ---	H1 x 55w	4.70 A
FF201-89	24v Dc ---	H1 x 70w	3.00 A
FF200-86	115v Ac ~	Ba15d x 15w	0.13 A
FF200-87	230v Ac ~	Ba15d x 15w	0.07 A



Kg 0.70

50/60 Hz

°C -25+66

IP 65

FPM 60

INDUSTRIAL

APPROVAL AND CONFORMITIES



ADD THE FOLLOWING LENS CODES TO THE PRODUCT CODE WHEN ORDERING

01 02 03 04 05