



# PRODUCT DATASHEET

## Rose series

last update 13/12/2017

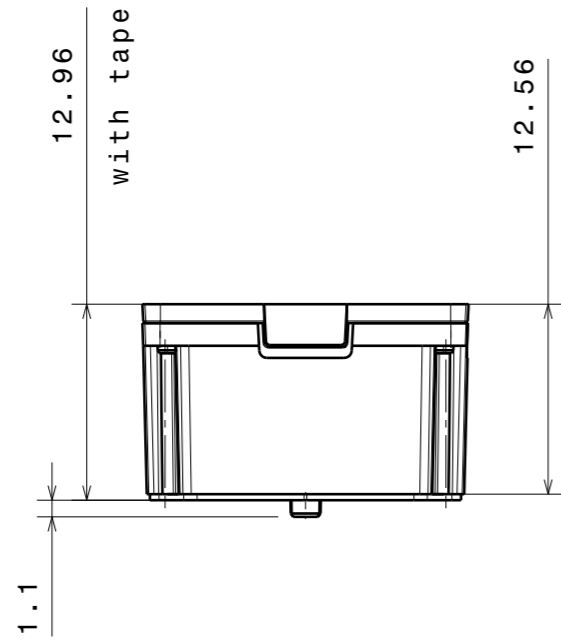
### DETAILS

<b>Product Number</b>	FA15232_ROSE-MRK-M
<b>Family</b>	Rose
<b>Type</b>	Assembly
<b>Color</b>	white
<b>Diameter</b>	21,6 x 21,6 mm
<b>Height</b>	12,55 mm
<b>Style</b>	square
<b>Optic Material</b>	PC
<b>Holder Material</b>	
<b>Fastening</b>	tape, pin
<b>Status</b>	production ready
<b>ROHS Compliant</b>	Yes
<b>Date Updated</b>	13/12/2017

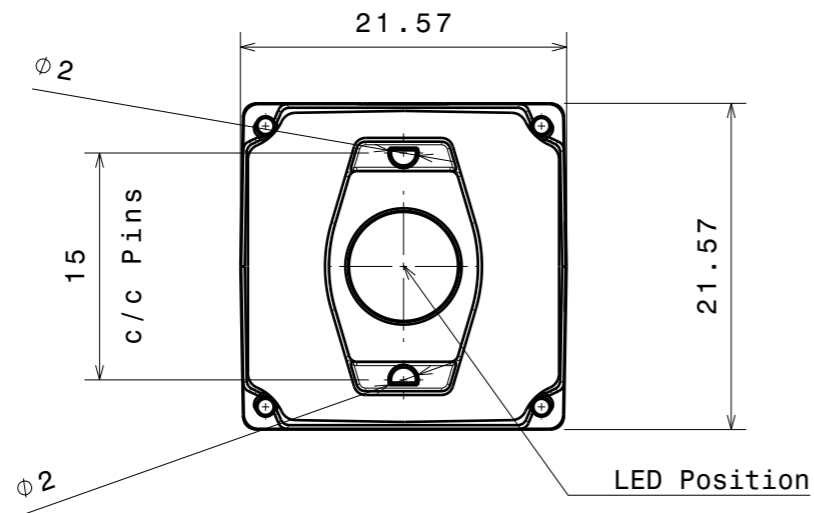


### OPTICAL PROPERTIES

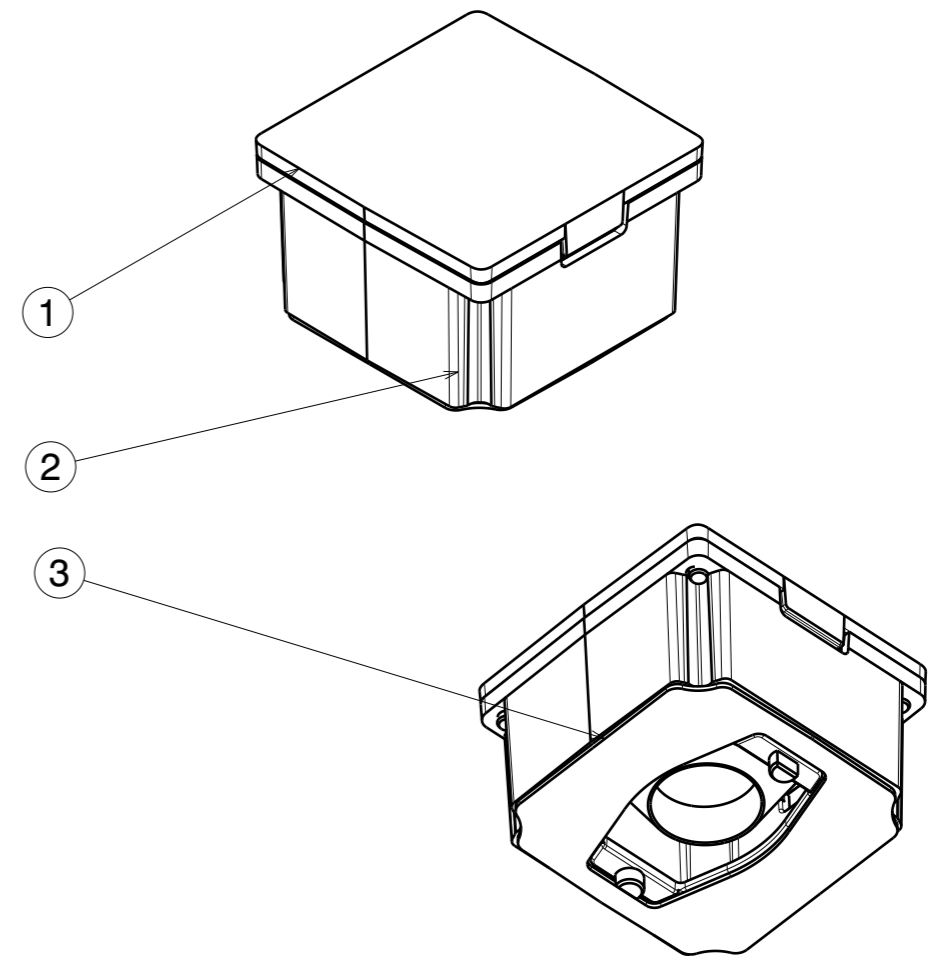
	Viewing	Light	Effi-		
LED	Angle	Beam	ciency	cd/lm	Connector
LUXEON M/MX	45 deg	Medium	86 %	1.360	-



Front view



Bottom view



Isometric view

FA15229	ROSE-MRK-S
FA15232	ROSE-MRK-M
FA15233	ROSE-MRK-W

INDEX	PART NO	DESCRIPTION	MATERIAL	COLOUR
1	-	ROSE-MRK S/M/W	PC	clear
2	F14946	ROSE-Lt-HLD-MRK	PC	white
3	F14629	ROSE-TAPE	two-sided adhesive foam tape	

Tolerances if not otherwise shown  
 According to DIN ISO 2768-1  
 Linear measures:  
 Up to 30mm class M, otherwise class C.  
 According to DIN ISO 2768-2  
 Form and position: class L

**LEDiL** LediL Oy  
 Salorankatu 10  
 FIN 24240 SALO  
 Finland

THIRD ANGLE PROJECTION:

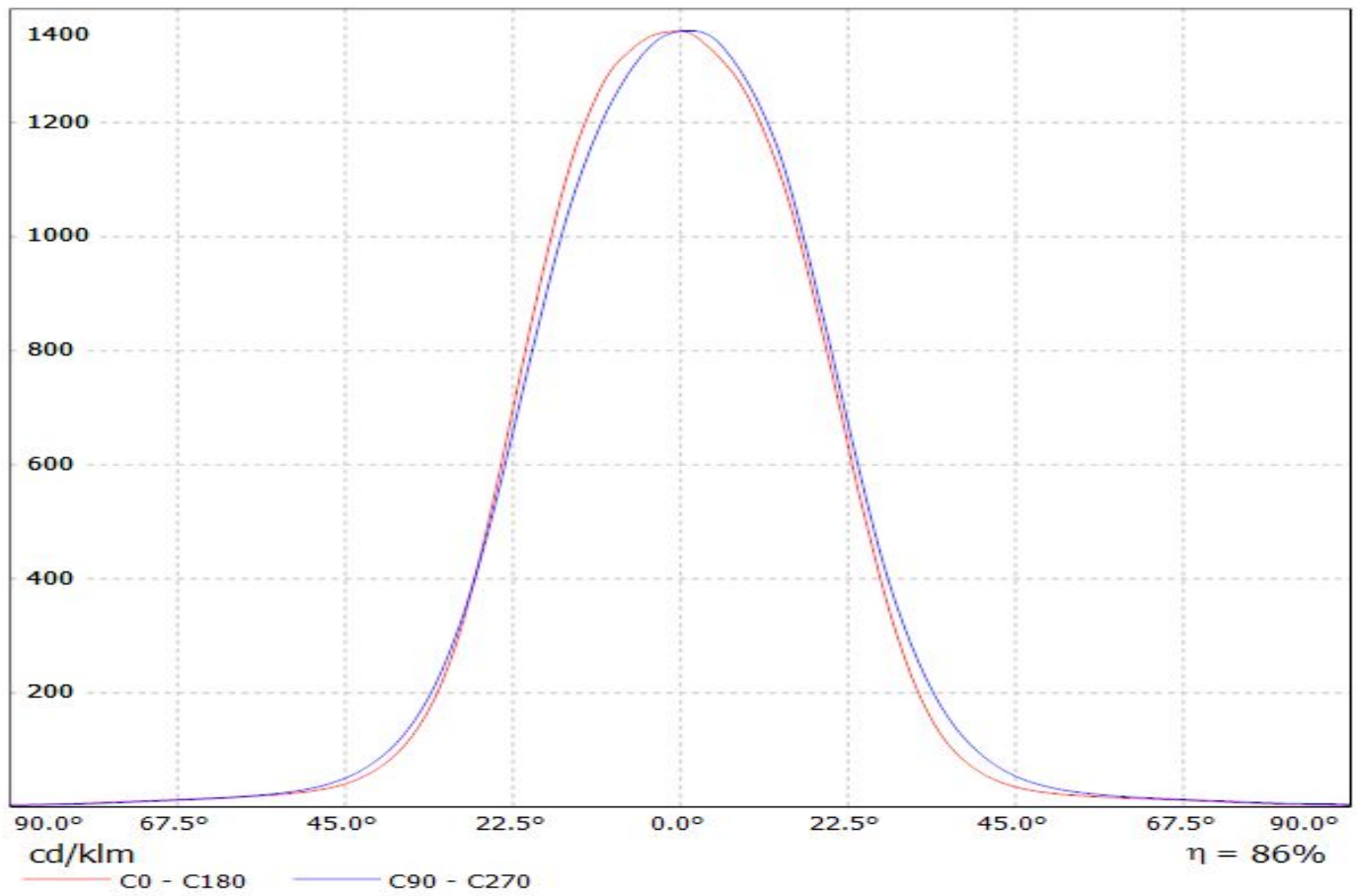
DRAWING TITLE  
**ROSE-MRK MechanicalDrawing**

This drawing is the property  
 of LEDiL Oy. It may not be  
 reproduced, copied or  
 communicated without a written  
 agreement with LEDiL Oy.

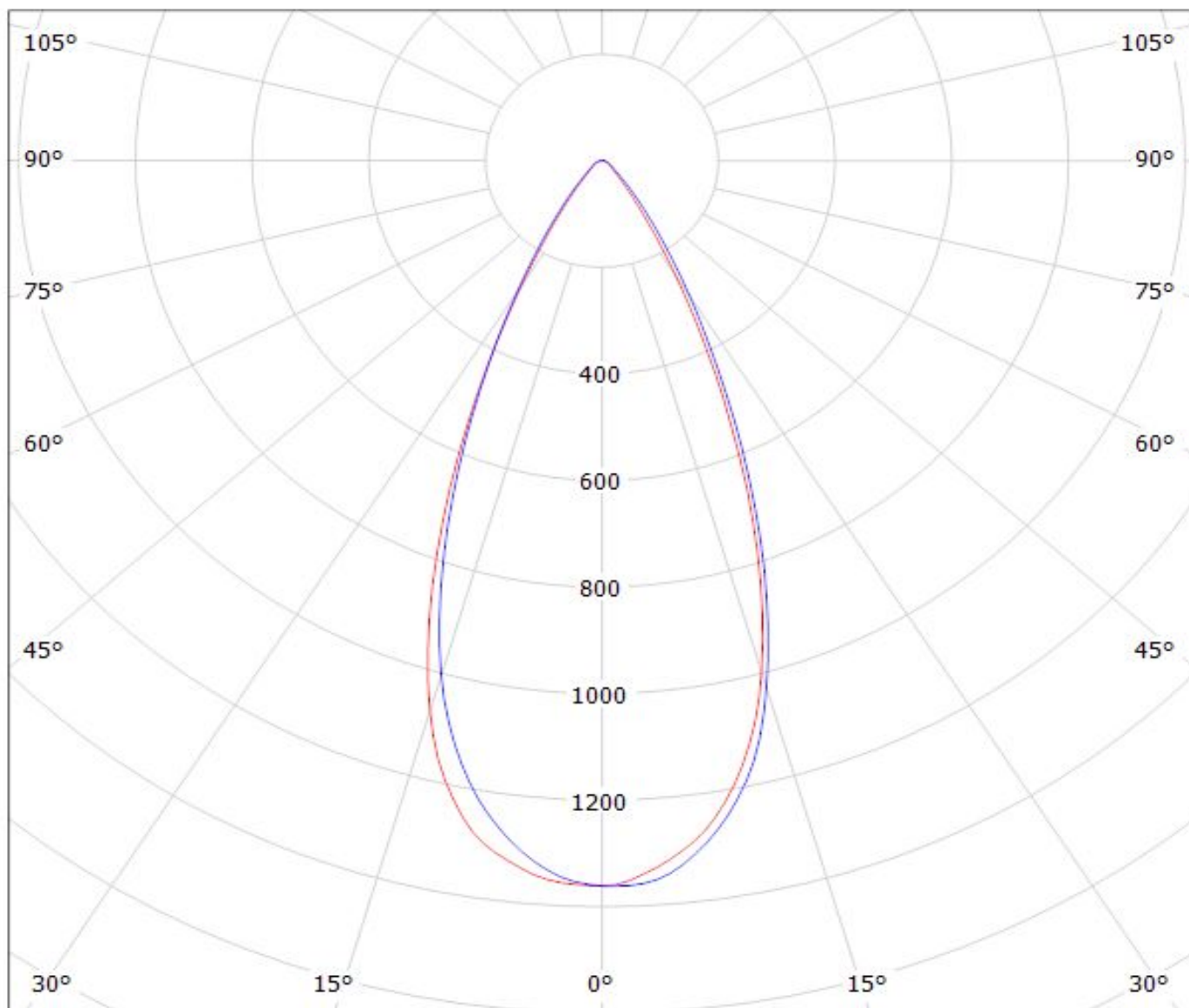
SIZE PART NUMBER  
**A3 FA15229/FA15232/FA15233**

SCALE 2:1 WEIGHT - SHEET 1/1

Luminaire: LEDiL Oy F14952\_ROSE-MRK-M\_(Luxeon\_M)\_C4  
Lamps: 1 x Luxeon\_M\_(LXR8-SW40)\_382.455lm@250mA\_P=2.77478W\_I=0.250A



Luminaire: LEDiL Oy F14952\_ROSE-MRK-M\_(Luxeon\_M)\_C4  
Lamps: 1 x Luxeon\_M\_(LXR8-SW40)\_382.455lm@250mA\_P=2.77478W\_I=0.250A



cd/klm

— C0 - C180 — C90 - C270

$\eta = 86\%$

**NOTE: The typical divergence will be changed by different color, chip size and chip position tolerance. The typical total divergence is the full angle measured where the luminous intensity is half of the peak value.**