

**Product number FA15229_ROSE-MRK-S**

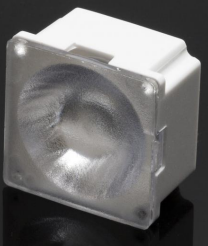
Family	Rose	FWHM	29 degrees
Type	Assembly	Efficiency	86 %
LED	LUXEON M/MX	cd/lm	2.170
Color	White	Gerber File	Available
Diameter	21.6 x 21.6 mm		
Height	12.95 mm		
Style	Square		
Optic Material	PC		
Holder Material	-		
Fastening	["tape", "pin"]		
Status	Production ready		

**Product number FA15232_ROSE-MRK-M**

Family	Rose	FWHM	45 degrees
Type	Assembly	Efficiency	86 %
LED	LUXEON M/MX	cd/lm	1.360
Color	White	Gerber File	Available
Diameter	21.6 x 21.6 mm		
Height	12.55 mm		
Style	Square		
Optic Material	PC		
Holder Material	-		
Fastening	["tape", "pin"]		
Status	Production ready		

**Product number FA15233_ROSE-MRK-W**

Family	Rose	FWHM	62 degrees
Type	Assembly	Efficiency	84 %
LED	LUXEON M/MX	cd/lm	0.690
Color	White	Gerber File	Available
Diameter	21.6 x 21.6 mm		
Height	12.96 mm		
Style	Square		
Optic Material	PC		
Holder Material	-		
Fastening	["tape", "pin"]		
Status	Production ready		

**Product number FA15480_ROSE-MRK-BW**

Family	Rose	FWHM	68 degrees
Type	Assembly	Efficiency	84 %
LED	LUXEON M/MX	cd/lm	0.670
Color	White	Gerber File	Available
Diameter	21.6 x 21.6 mm		
Height	13 mm		
Style	Square		
Optic Material	PC		
Holder Material	-		
Fastening	["tape", "pin"]		
Status	Production ready		



PRODUCT DATASHEET

Rose series

last update 13/12/2017

NOTE: The typical divergence will be changed by different color, chip size and chip position tolerance. The typical total divergence is the full angle measured where the luminous intensity is half of the peak value.



PRODUCT DATASHEET

Rose series

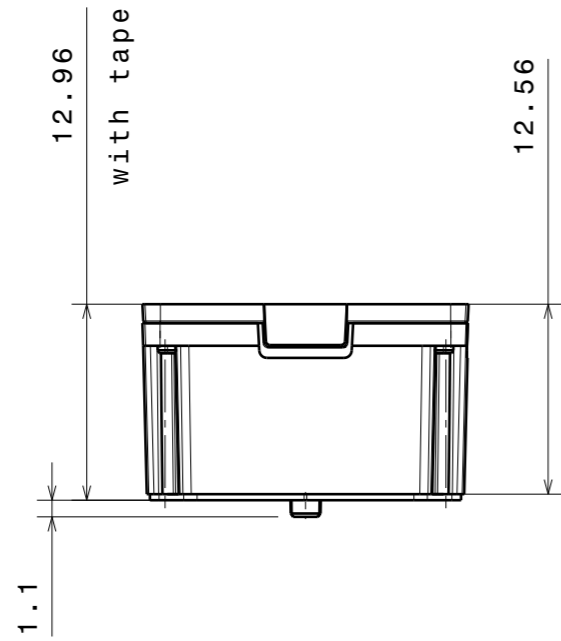
last update 13/12/2017

GENERAL INFORMATION

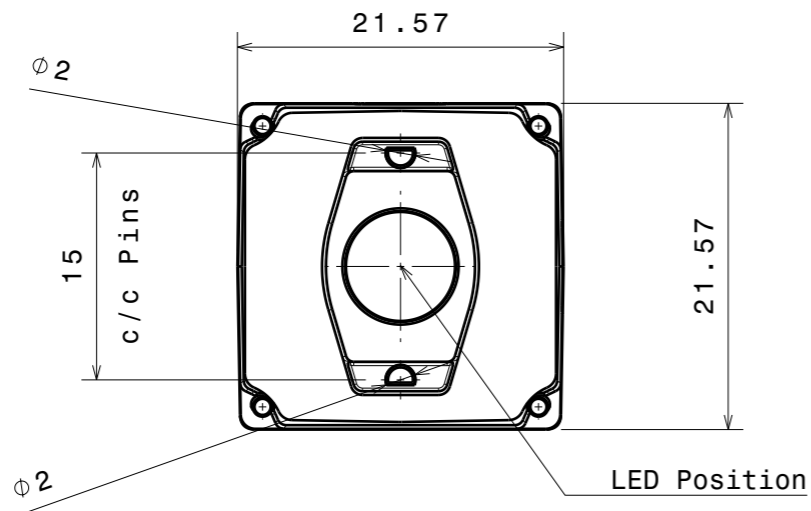
- Product series especially designed & optimized for LUXEON M/MX series of LEDs.
- Special care taken to make light distribution as uniform as possible.
- Lens material optical grade PC with high UV and temperature resistance (100 degrees of Celcius / 212 degrees of Fahrenheit). Allows use of high current and temperature conditions.

Please find more information about used materials from below:

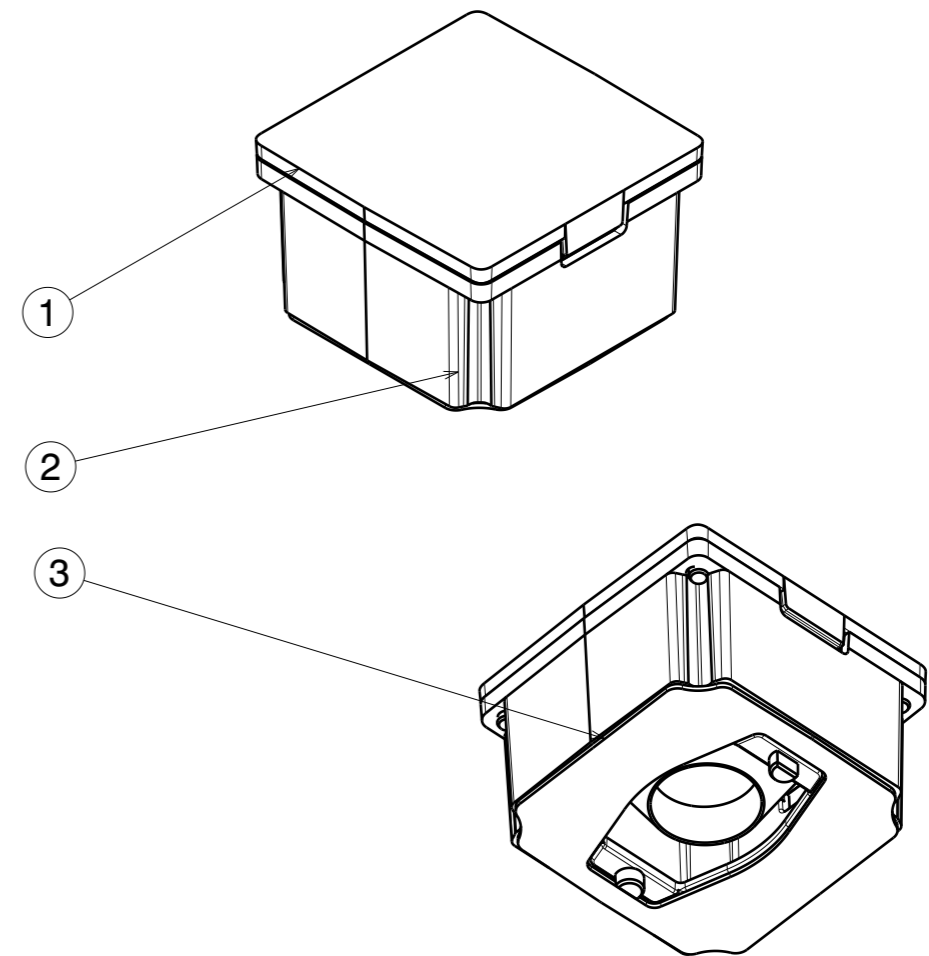
http://ledil.fi/sites/default/files/Documents/Technical/Material/PC%20Makrolon%202400_2407_2456_2458-UL.pdf



Front view



Bottom view



Isometric view

FA15229	ROSE-MRK-S
FA15232	ROSE-MRK-M
FA15233	ROSE-MRK-W

INDEX	PART NO	DESCRIPTION	MATERIAL	COLOUR
1	-	ROSE-MRK S/M/W	PC	clear
2	F14946	ROSE-Lt-HLD-MRK	PC	white
3	F14629	ROSE-TAPE	two-sided adhesive foam tape	

Tolerances if not otherwise shown
 According to DIN ISO 2768-1
 Linear measures:
 Up to 30mm class M, otherwise class C.
 According to DIN ISO 2768-2
 Form and position: class L

LEDiL LediL Oy
 Salorankatu 10
 FIN 24240 SALO
 Finland

THIRD ANGLE PROJECTION:

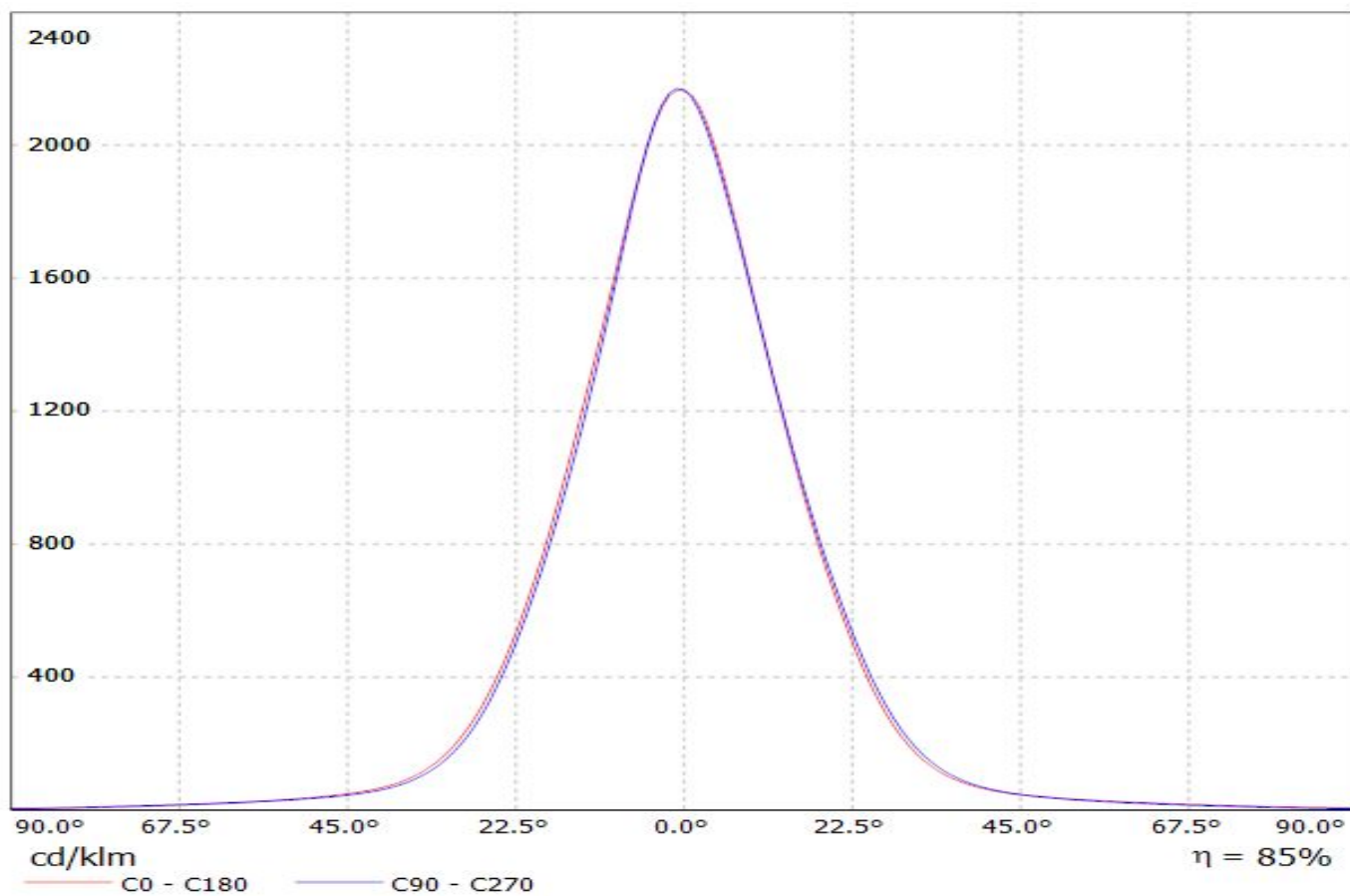
DRAWING TITLE
ROSE-MRK MechanicalDrawing

This drawing is the property
 of LEDiL Oy. It may not be
 reproduced, copied or
 communicated without a written
 agreement with LEDiL Oy.

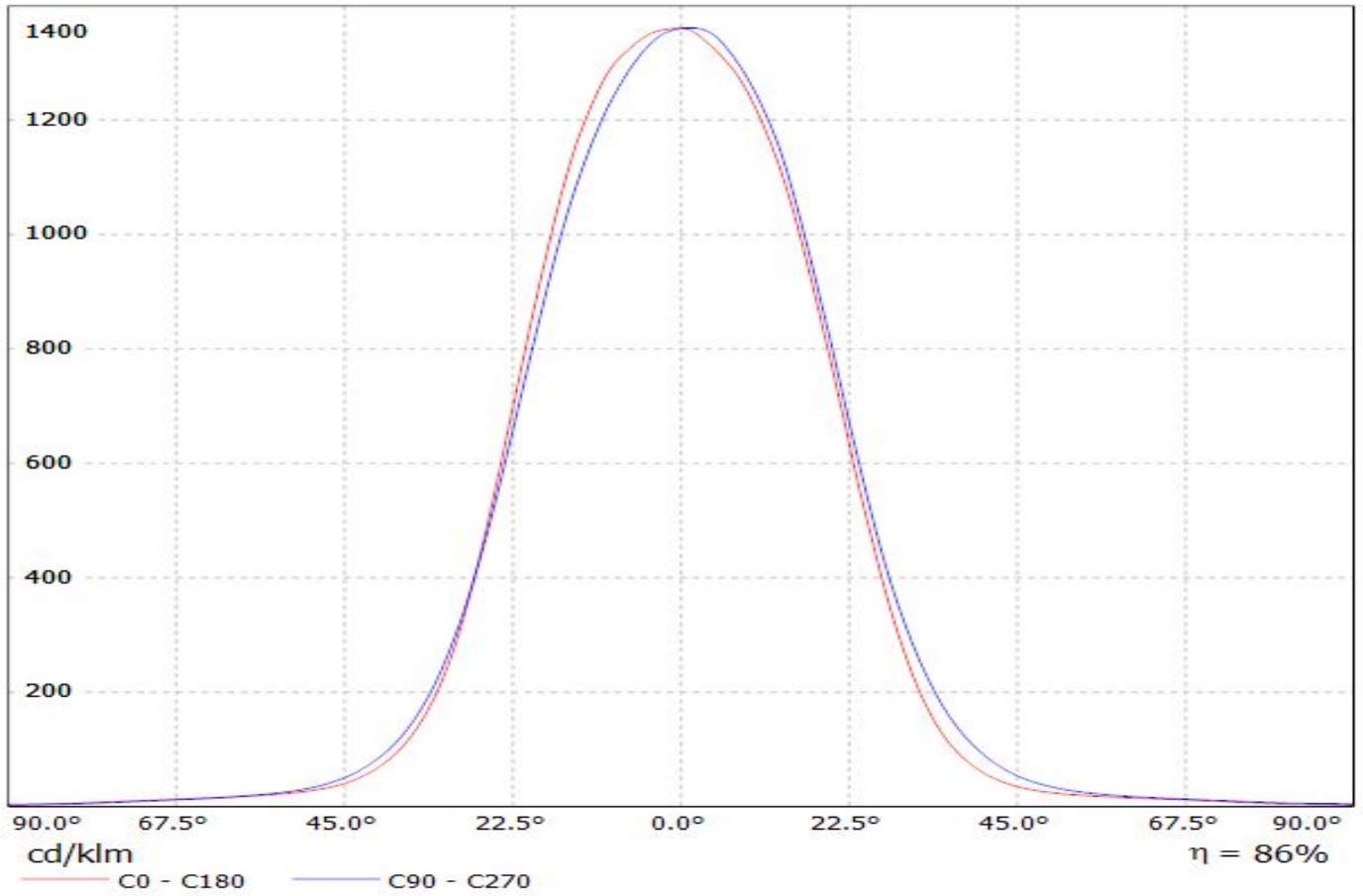
SIZE PART NUMBER
A3 FA15229/FA15232/FA15233

SCALE 2:1 WEIGHT - SHEET 1/1

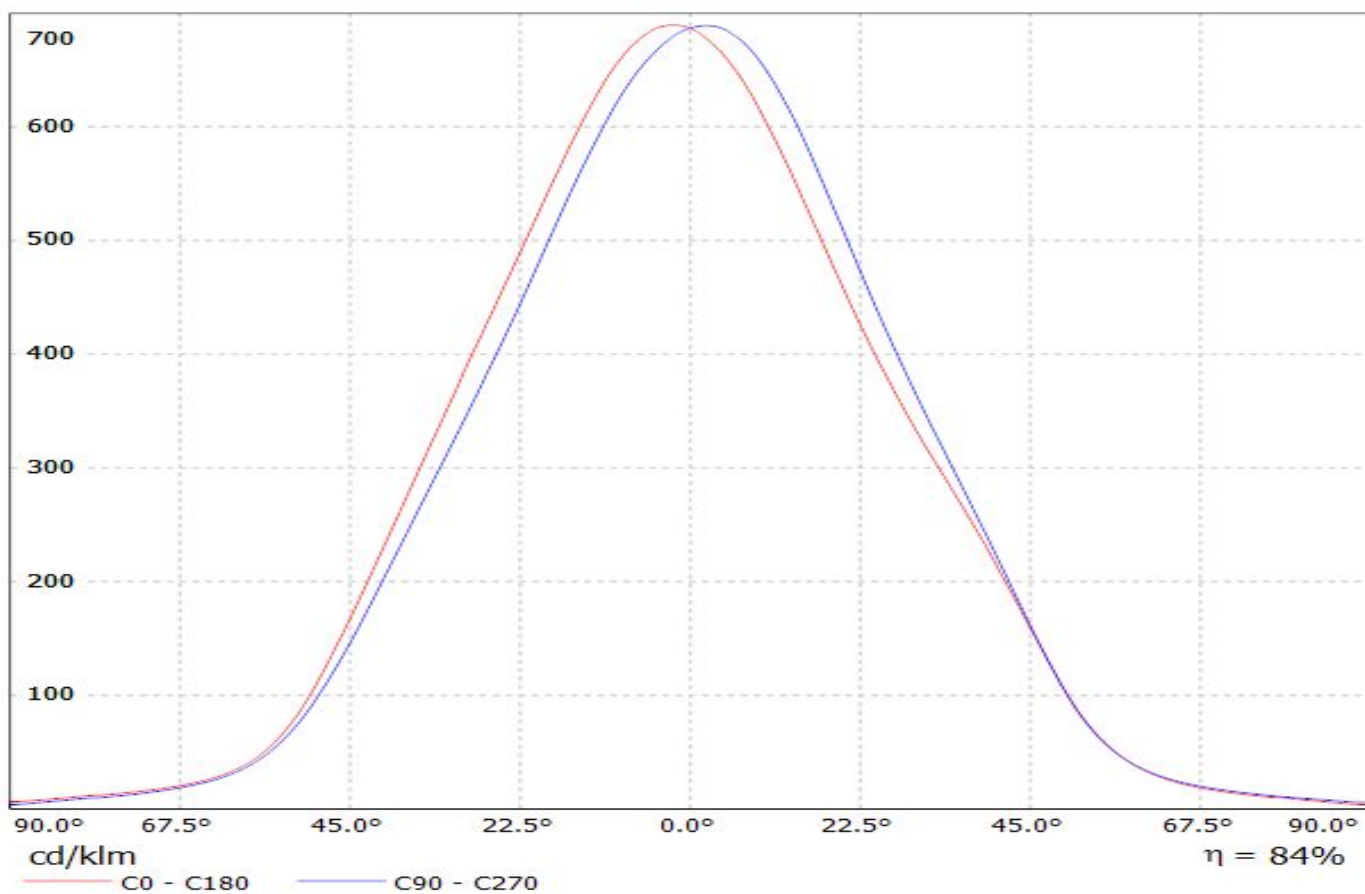
Luminaire: LEDiL Oy F14951_ROSE-MRK-S_(Luxeon_M)_C3
Lamps: 1 x Luxeon_M_(LXR8-SW40)_382.455lm@250mA_P=2.77478W_I=0.250A



Luminaire: LEDiL Oy F14952_ROSE-MRK-M_(Luxeon_M)_C4
Lamps: 1 x Luxeon_M_(LXR8-SW40)_382.455lm@250mA_P=2.77478W_I=0.250A

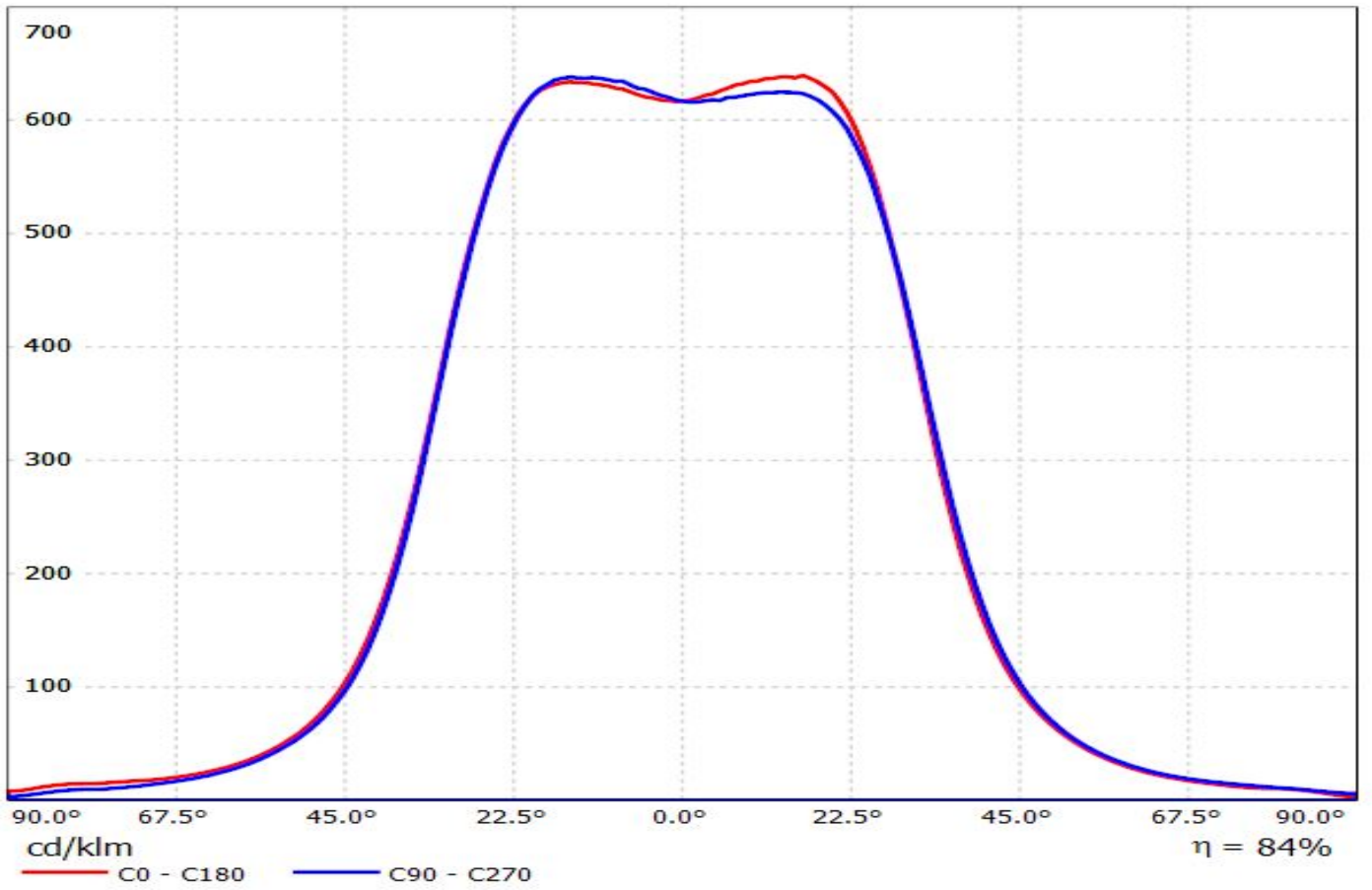


Luminaire: LEDiL Oy F14953_ROSE-MRK-W_(Luxeon_M)_C3
Lamps: 1 x Luxeon_M_(LXR8-SW40)_382.455lm@250mA_P=2.77478W_I=0.250A

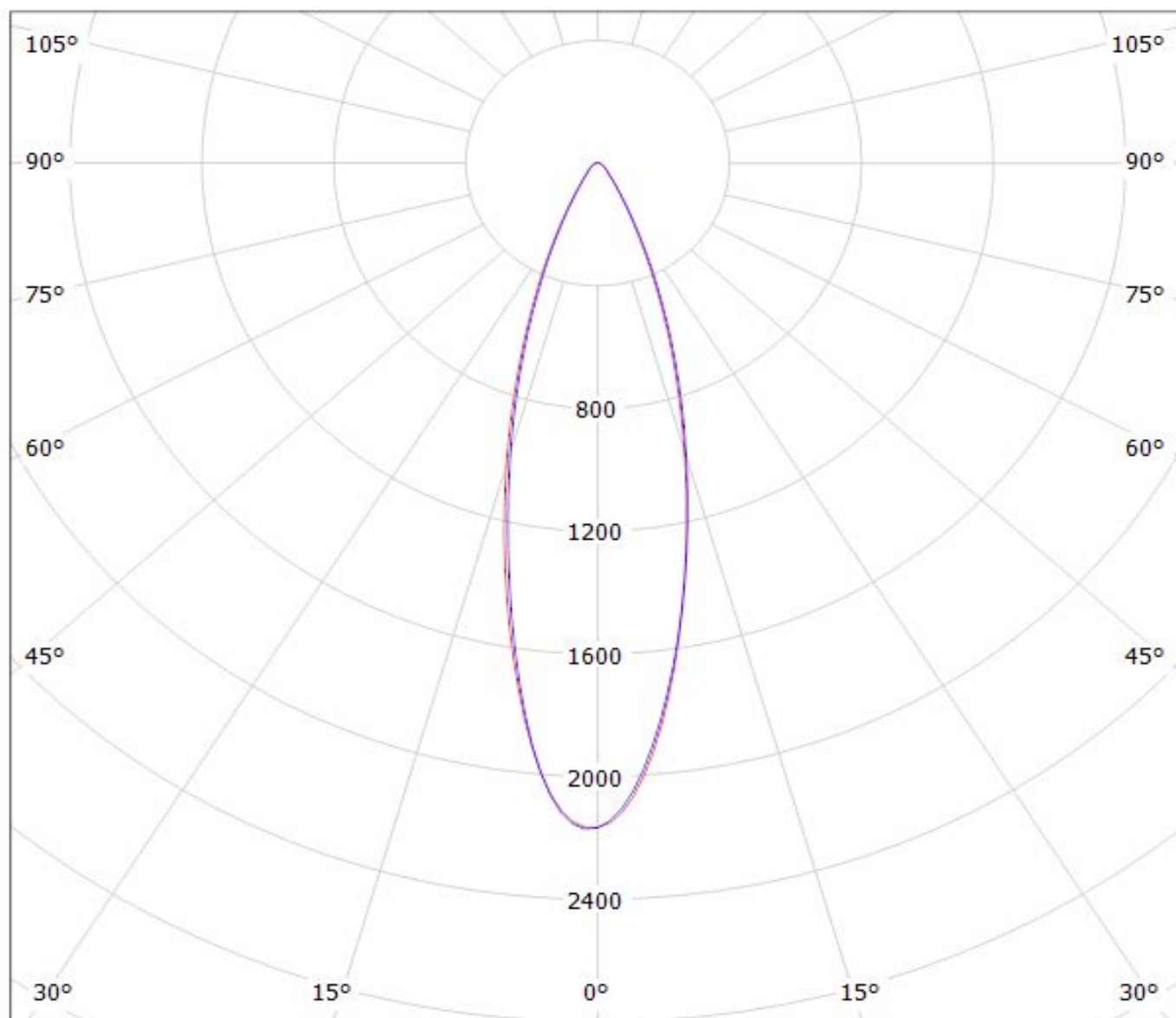


Luminaire: Ledil FA15480_ROSE-MRK-BW_(Luxeon_M)_2

Lamps: 1 x Luxeon_M_(LXR8-SW40)_346.747lm@250mA_P=2.78963W_I=0.25A



Luminaire: LEDiL Oy F14951_ROSE-MRK-S_(Luxeon_M)_C3
Lamps: 1 x Luxeon_M_(LXR8-SW40)_382.455lm@250mA_P=2.77478W_I=0.250A



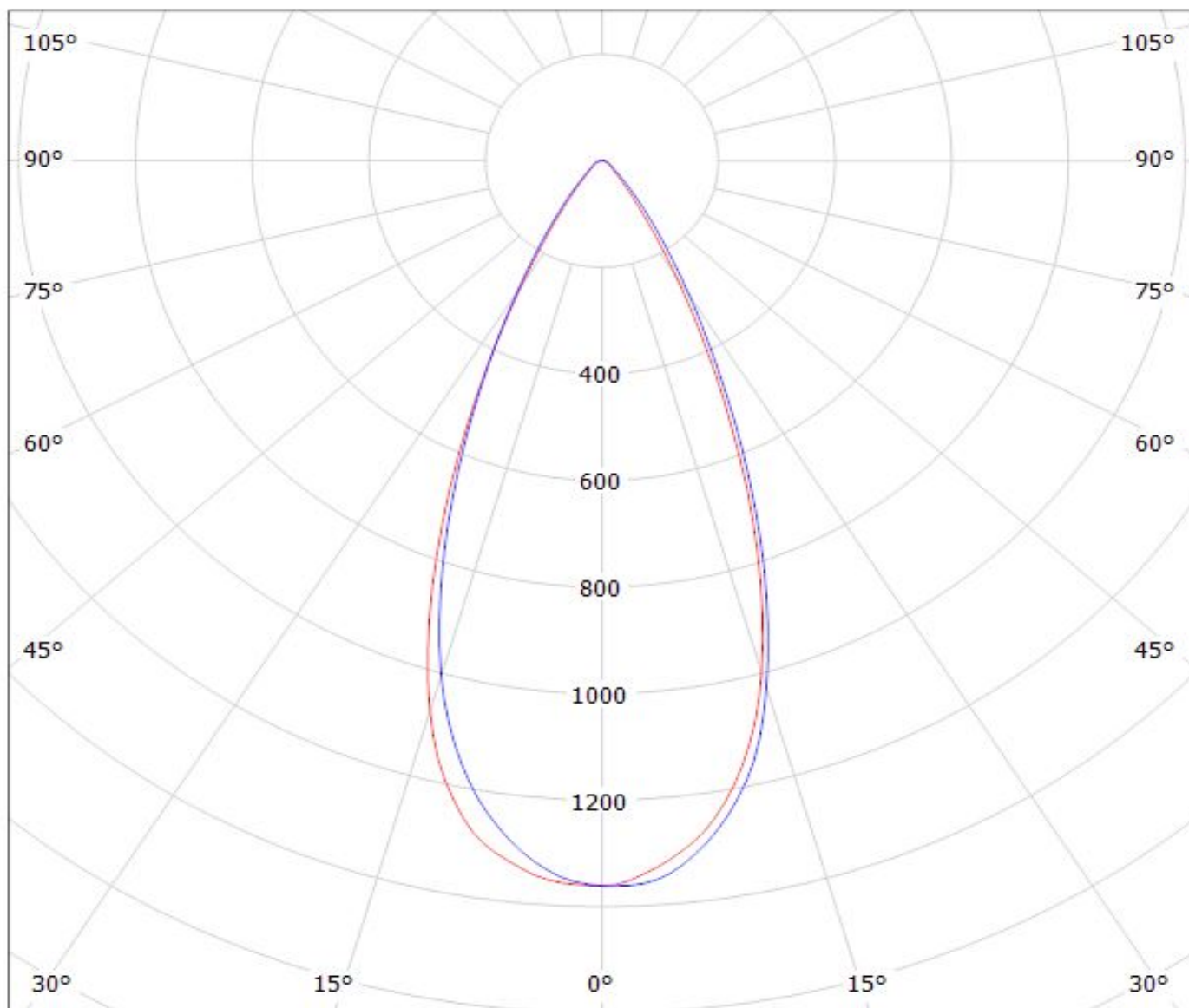
cd/klm

— C0 - C180

— C90 - C270

$\eta = 85\%$

Luminaire: LEDiL Oy F14952_ROSE-MRK-M_(Luxeon_M)_C4
Lamps: 1 x Luxeon_M_(LXR8-SW40)_382.455lm@250mA_P=2.77478W_I=0.250A



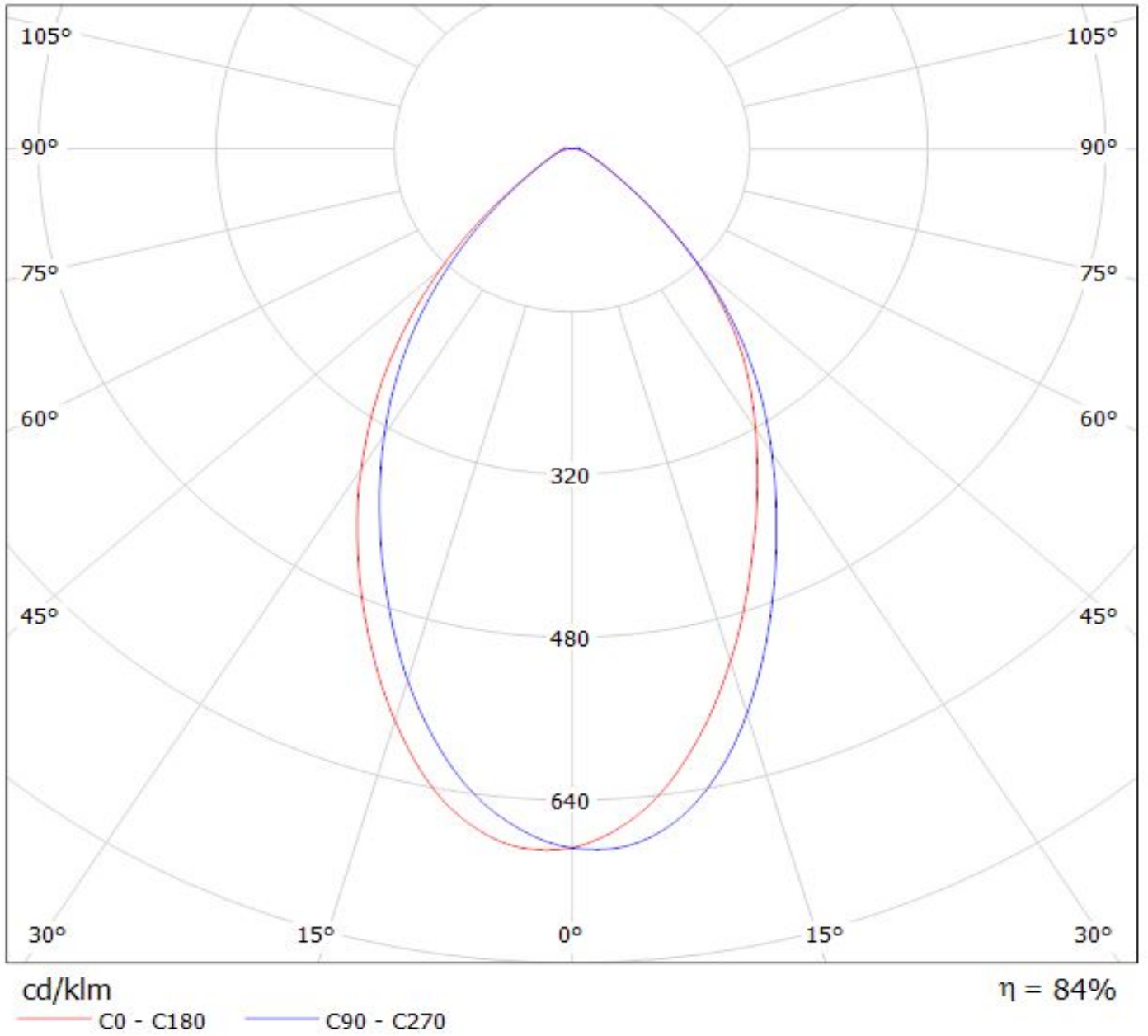
cd/klm

— C0 - C180 — C90 - C270

$\eta = 86\%$

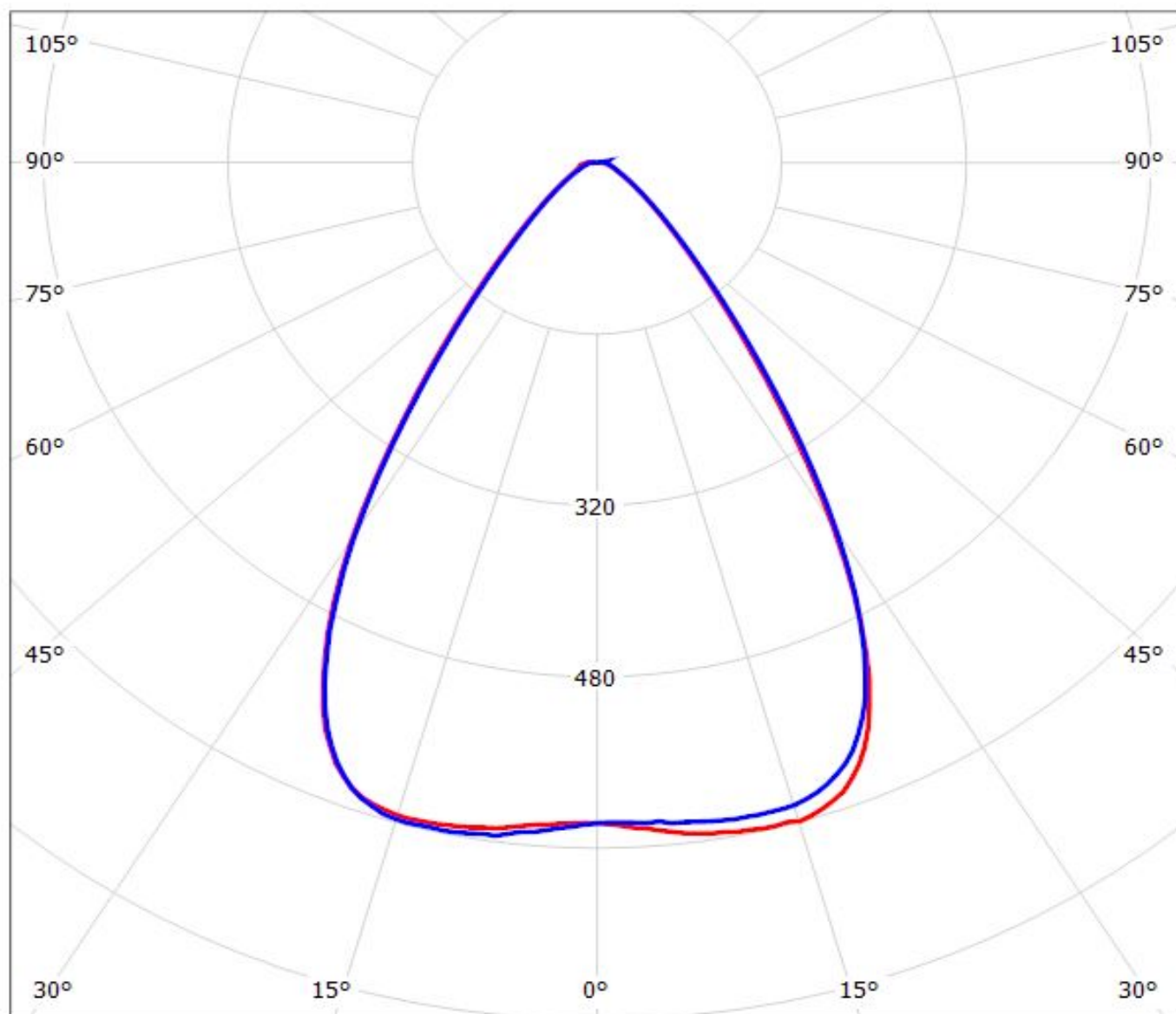
Luminaire: LEDiL Oy F14953_ROSE-MRK-W_(Luxeon_M)_C3

Lamps: 1 x Luxeon_M_(LXR8-SW40)_382.455lm@250mA_P=2.77478W_I=0.250A



Luminaire: Ledil FA15480_ROSE-MRK-BW_(Luxeon_M)_2

Lamps: 1 x Luxeon_M_(LXR8-SW40)_346.747lm@250mA_P=2.78963W_η=0.25A



cd/klm

— C0 - C180

— C90 - C270

η = 84%