

## Features

- Compact Metal Case with Excellent Thermal Performance
- Full Power at Wide Output Current Range (Constant Power)
- Adjustable Output Current (AOC) with Programmability
- Isolated 1-5V/1-10V/10V PWM/3-Timer-Modes Dimmable
- Output Lumen Compensation
- Input Surge Protection: DM 6kV, CM 10kV
- All-Around Protection: OVP, SCP, OTP
- IP66/IP67 and UL Dry/Damp/Wet Location
- Class 2 & SELV Output
- TYPE HL, for use in a Class I, Division 2 hazardous (Classified) location
- 5 Years Warranty



## Description

The EUM-100SxxxDx series is a 100W, constant-current, programmable and IP66/IP67 rated LED driver that operates from 90-305Vac input with excellent power factor. It is created for many lighting applications including high bay, tunnel and roadway, etc. The high efficiency of these drivers and compact metal case enables them to run cooler, significantly improving reliability and extending product life. To ensure trouble-free operation, protection is provided against input surge, output over voltage, short circuit, and over temperature.

## Models

Adjustable Output Current Range	Full-Power Current Range (1)	Default Output Current	Input Voltage Range(2)	Output Voltage Range	Max. Output Power	Typical Efficiency (3)	Typical Power Factor		Model Number (6)
							120Vac	220Vac	
35-530mA	350-530mA	530 mA	90~305 Vac/ 127~300 Vdc	94~286 Vdc	100W	94.0%	0.99	0.96	EUM-100S053Dx <sup>(7)</sup>
70-1050mA	700-1050mA	700 mA	90~305 Vac/ 127~300 Vdc	48~143 Vdc	100W	93.0%	0.99	0.96	EUM-100S105Dx
105-1500mA	1050-1500mA	1050 mA	90~305 Vac/ 127~300 Vdc	34~95 Vdc	100W	93.0%	0.99	0.96	EUM-100S150Dx <sup>(4)</sup>
175-2800mA	1750-2800mA	2100 mA	90~305 Vac/ 127~300 Vdc	17~54 Vdc	96W	92.0%	0.99	0.96	EUM-100S280Dx <sup>(5)</sup>

**Notes:** (1) Output current range with constant power at 100W

(2) Certified input voltage range: UL, FCC 100-277Vac; otherwise 100-240Vac.

(3) Measured at 100% load and 220Vac input (see below "General Specifications" for details).

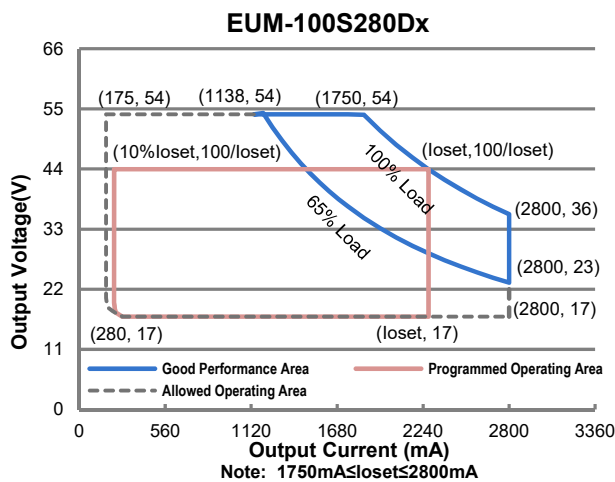
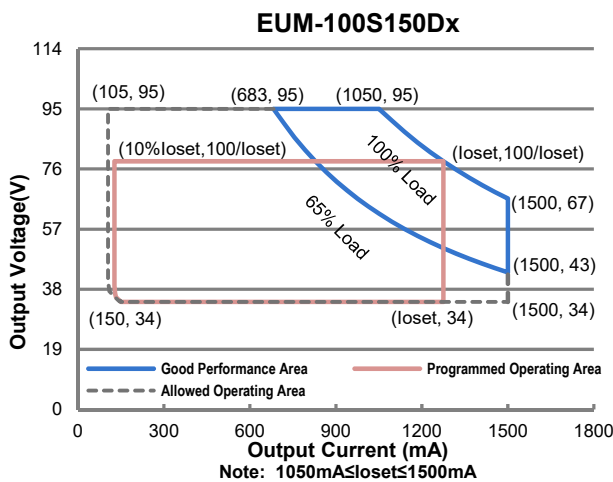
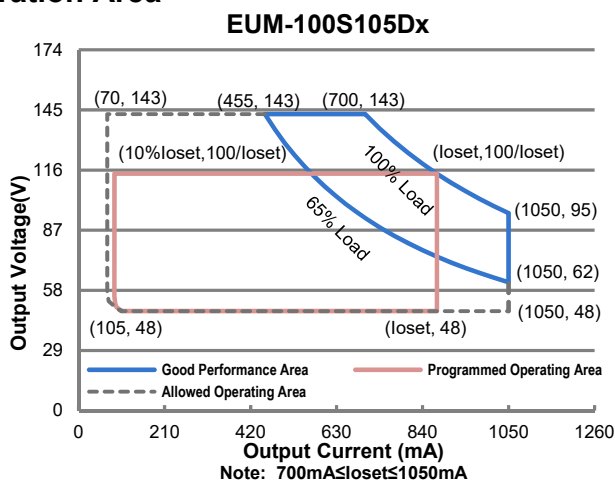
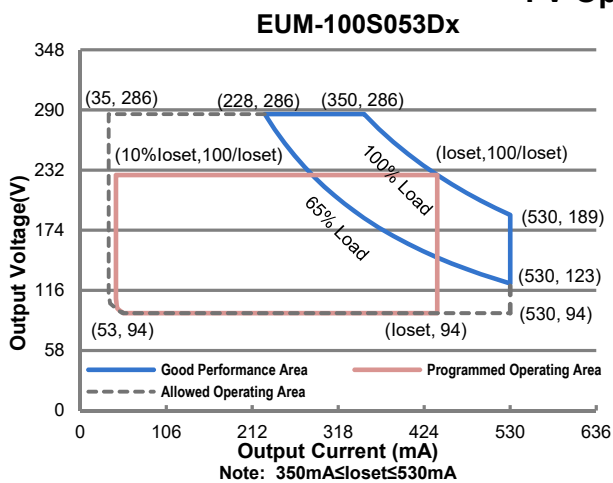
(4) SELV Output.

(5) Class 2 & SELV output.

(6) x = G are UL Recognized, ENEC and CCC, etc. models; x = T are UL Class P models; x = B are BIS models.

(7) Only available with x = G, and only with ENEC, CE, CB and CCC certificates.

## I-V Operation Area



## Input Specifications

Parameter	Min.	Typ.	Max.	Notes
Input AC Voltage	90 Vac	-	305 Vac	
Input DC Voltage	127 Vdc	-	300 Vdc	
Input Frequency	47 Hz	-	63 Hz	
Leakage Current	-	-	0.75 MIU	UL 8750; 277Vac/60Hz
	-	-	0.70 mA	IEC 60598-1; 240Vac/60Hz
Input AC Current	-	-	1.0 A	Measured at 100% load and 120 Vac input.
	-	-	0.54 A	Measured at 100% load and 220 Vac input.
Inrush Current(I <sup>2</sup> t)	-	-	2.07 A <sup>2</sup> s	At 220Vac input, 25°C cold start, duration=224 μs, 10%I <sub>pk</sub> -10%I <sub>pk</sub> . See Inrush Current Waveform for the details.

## Input Specifications (Continued)

Parameter	Min.	Typ.	Max.	Notes
PF	0.9	-	-	At 100-277Vac, 50-60Hz, 65%-100% Load (65-100W)
THD	-	-	20%	
THD	-	-	10%	At 220-240Vac, 50-60Hz, 75%-100% Load (75-100W)

## Output Specifications

Parameter	Min.	Typ.	Max.	Notes
Output Current Tolerance	-5%loset	-	5%loset	At 100% load condition
Output Current Setting(loset) Range				
EUM-100S053Dx	35 mA	-	530 mA	
EUM-100S105Dx	70 mA	-	1050 mA	
EUM-100S150Dx	105 mA	-	1500 mA	
EUM-100S280Dx	175 mA	-	2800 mA	
Output Current Setting Range with Constant Power				
EUM-100S053Dx	350 mA	-	530 mA	
EUM-100S105Dx	700 mA	-	1050 mA	
EUM-100S150Dx	1050 mA	-	1500 mA	
EUM-100S280Dx	1750 mA	-	2800 mA	
Total Output Current Ripple (pk-pk)	-	5%lomax	10%lomax	At 100% load condition. 20 MHz BW
Output Current Ripple at < 200 Hz (pk-pk)	-	2%lomax	-	At 100% load condition. Only this component of ripple is associated with visible flicker.
Startup Overshoot Current	-	-	10%lomax	At 100% load condition
No Load Output Voltage				
EUM-100S053Dx	-	-	320 V	
EUM-100S105Dx	-	-	170 V	
EUM-100S150Dx	-	-	120 V	
EUM-100S280Dx	-	-	60 V	
Line Regulation	-	-	±0.5%	Measured at 100% load
Load Regulation	-	-	±1.5%	
Turn-on Delay Time	-	-	0.5 s	Measured at 120-277Vac input, 65%-100% Load
Temperature Coefficient of loset	-	0.03%/°C	-	Case temperature = 0°C ~Tc max

## General Specifications

Parameter	Min.	Typ.	Max.	Notes
Efficiency at 120 Vac input: EUM-100S053Dx				
Io= 350 mA	88.5%	90.5%	-	
Io= 530 mA	90.0%	92.0%	-	
EUM-100S105Dx				
Io= 700 mA	87.5%	89.5%	-	Measured at 100% load and steady-state temperature in 25°C ambient; (Efficiency will be about 2.0% lower if measured immediately after startup.)
Io=1050 mA	88.5%	90.5%	-	
EUM-100S150Dx				
Io=1050 mA	88.0%	90.0%	-	
Io=1500 mA	89.0%	91.0%	-	
EUM-100S280Dx				
Io=1750 mA	87.5%	89.5%	-	
Io=2800 mA	88.0%	90.0%	-	
Efficiency at 220 Vac input: EUM-100S053Dx				
Io= 350 mA	90.5%	92.5%	-	Measured at 100% load and steady-state temperature in 25°C ambient; (Efficiency will be about 2.0% lower if measured immediately after startup.)
Io= 530 mA	92.0%	94.0%	-	
EUM-100S105Dx				
Io= 700 mA	90.0%	92.0%	-	
Io=1050 mA	91.0%	93.0%	-	
EUM-100S150Dx				
Io=1050 mA	90.0%	92.0%	-	
Io=1500 mA	91.0%	93.0%	-	
EUM-100S280Dx				
Io=1750 mA	89.5%	91.5%	-	
Io=2800 mA	90.0%	92.0%	-	
Efficiency at 277 Vac input: EUM-100S053Dx				
Io= 350 mA	91.0%	93.0%	-	Measured at 100% load and steady-state temperature in 25°C ambient; (Efficiency will be about 2.0% lower if measured immediately after startup.)
Io= 530 mA	92.0%	94.0%	-	
EUM-100S105Dx				
Io= 700 mA	90.5%	92.5%	-	
Io=1050 mA	91.5%	93.5%	-	
EUM-100S150Dx				
Io=1050 mA	90.5%	92.5%	-	
Io=1500 mA	91.0%	93.0%	-	
EUM-100S280Dx				
Io=1750 mA	89.5%	91.5%	-	
Io=2800 mA	90.0%	92.0%	-	
MTBF	-	473,000 Hours	-	Measured at 220Vac input, 80%Load and 25°C ambient temperature (MIL-HDBK-217F)
Lifetime	-	114,000 Hours	-	Measured at 220Vac input, 80%Load and 70°C case temperature; See lifetime vs. Tc curve for the details
Operating Case Temperature for Safety Tc_s	-40°C	-	+90°C	
Operating Case Temperature for Warranty Tc_w	-40°C	-	+80°C	Case temperature for 5 years warranty Humidity: 10% RH to 95% RH
Storage Temperature	-40°C	-	+85°C	Humidity: 5%RH to 95%RH
Dimensions				With mounting ear
Inches (L × W × H)	5.16 × 2.36 × 1.44			5.83 × 2.36 × 1.44
Millimeters (L × W × H)	131 × 60 × 36.5			148 × 60 × 36.5
Net Weight	-	620 g	-	

## Dimming Specifications

Parameter		Min.	Typ.	Max.	Notes
Absolute Maximum Voltage on the Vdim (+) Pin		-20 V	-	20 V	
Source Current on Vdim (+)Pin		200 $\mu$ A	300 $\mu$ A	450 $\mu$ A	Vdim(+) = 0 V
Dimming Output Range	EUM-100S053Dx EUM-100S105Dx EUM-100S150Dx EUM-100S280Dx	10%loset	-	loset	350 mA $\leq$ loset $\leq$ 530 mA 700 mA $\leq$ loset $\leq$ 1050 mA 1050 mA $\leq$ loset $\leq$ 1500 mA 1750 mA $\leq$ loset $\leq$ 2800 mA
	EUM-100S053Dx EUM-100S105Dx EUM-100S150Dx EUM-100S280Dx	35 mA 70 mA 105 mA 175 mA	-	loset	35 mA $\leq$ loset < 350 mA 70 mA $\leq$ loset < 700 mA 105 mA $\leq$ loset < 1050 mA 175 mA $\leq$ loset < 1750 mA
Recommended Dimming Range for 1-5V		0.25 V	-	4.75 V	Dimming mode set to 1-5V in PC interface.
Recommended Dimming Range for 1-10V		1 V	-	9 V	Default 1-10V dimming mode with positive logic.
PWM_in High Level		-	10V	-	
PWM_in Low Level		-	0V	-	
PWM_in Frequency Range		200 Hz	-	2 KHz	
PWM_in Duty Cycle		0%	-	100%	

## Safety & EMC Compliance

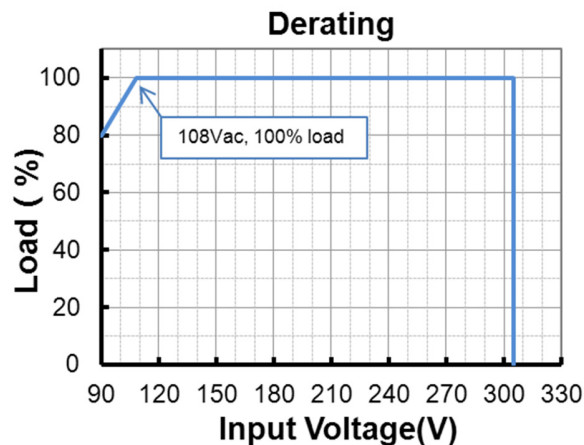
Safety Category	Standard
UL/CUL	UL 8750,CAN/CSA-C22.2 No. 250.13
ENEC & CE	EN 61347-1, EN 61347-2-13
UKCA	BS EN 61347-1, BS EN 61347-2-13
CB	IEC 61347-1, IEC 61347-2-13
CCC	GB 19510.1, GB 19510.14
PSE	J 61347-1, J 61347-2-13
KS	KS C 7655
BIS	IS 15885(Part2/Sec13)
EAC	TP TC 004, TP TC 020
NOM	NOM-058-SCFI
global-mark	AS/NZS 61347.1, AS/NZS 61347.2.13
Performance	Standard
ENEC	EN 62384
EMI Standards	Notes
BS EN/EN IEC 55015/GB/T 17743/KN 15 <sup>(1)</sup>	Conducted emission Test &Radiated emission Test

## Safety & EMC Compliance (Continued)

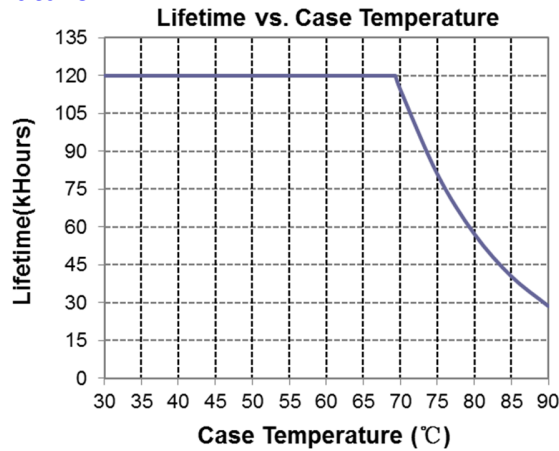
EMI Standards	Notes
BS EN/EN IEC 61000-3-2/GB 17625.1	Harmonic current emissions
BS EN/EN 61000-3-3	Voltage fluctuations & flicker
FCC Part 15 <sup>(1)</sup>	ANSI C63.4 Class B
	This device complies with Part 15 of the FCC Rules. Operation is subject to the following two conditions: [1] this device may not cause harmful interference, and [2] this device must accept any interference received, including interference that may cause undesired Operation.
EMS Standards	Notes
BS EN/EN 61000-4-2	Electrostatic Discharge (ESD): 8 kV air discharge, 4 kV contact discharge
BS EN/EN 61000-4-3	Radio-Frequency Electromagnetic Field Susceptibility Test-RS
BS EN/EN 61000-4-4	Electrical Fast Transient / Burst-EFT
BS EN/EN 61000-4-5	Surge Immunity Test: AC Power Line: Differential Mode 6 kV, Common Mode 10 kV
BS EN/EN 61000-4-6	Conducted Radio Frequency Disturbances Test-CS
BS EN/EN 61000-4-8	Power Frequency Magnetic Field Test
BS EN/EN 61000-4-11	Voltage Dips
BS EN/EN 61547	Electromagnetic Immunity Requirements Applies To Lighting Equipment

**Note:** (1) This LED driver meets the EMI specifications above, but EMI performance of a luminaire that contains it depends also on the other devices connected to the driver and on the fixture itself.

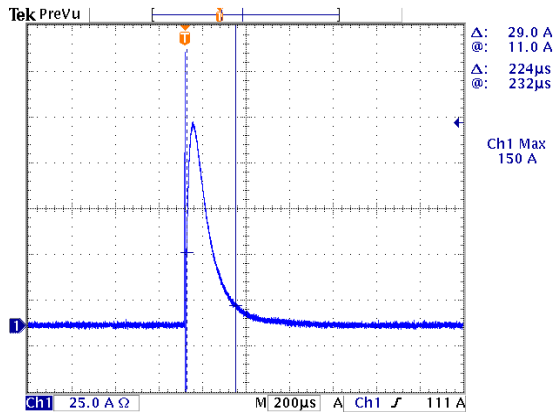
## Derating



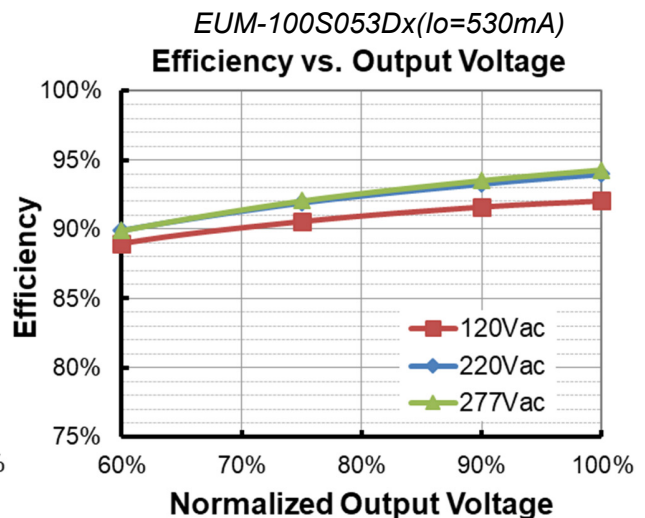
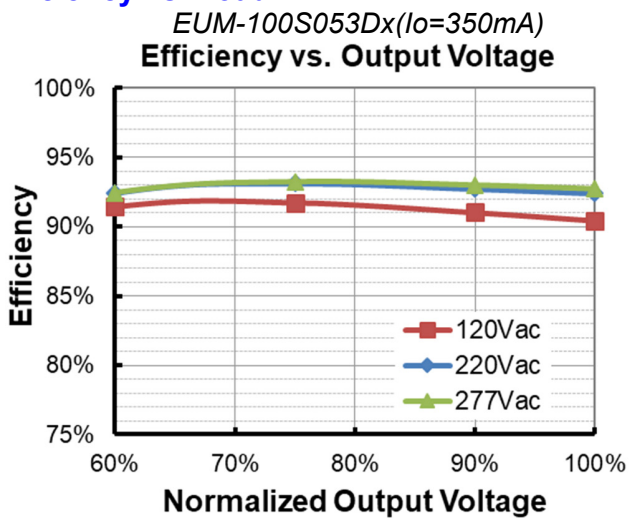
## Lifetime vs. Case Temperature

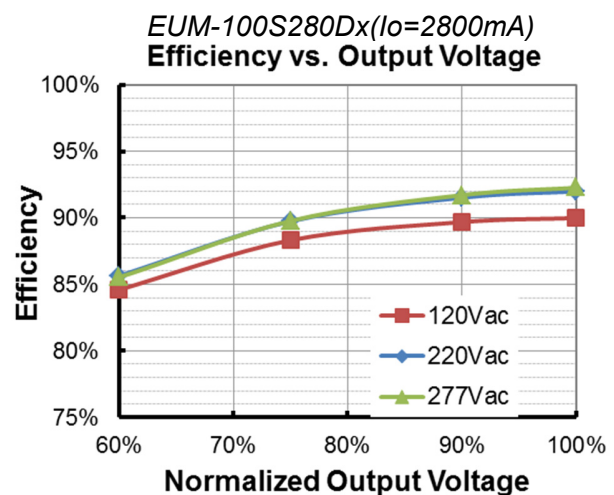
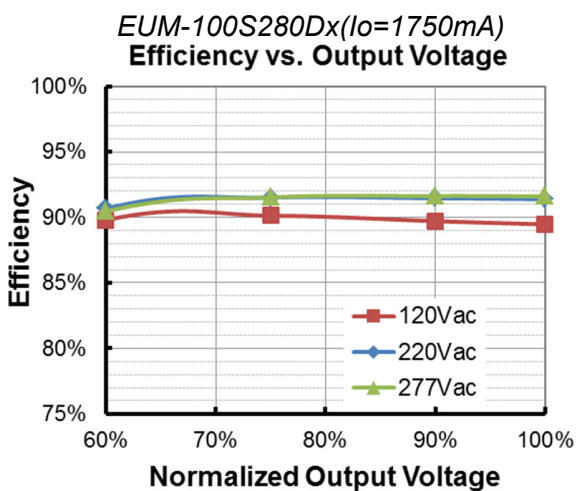
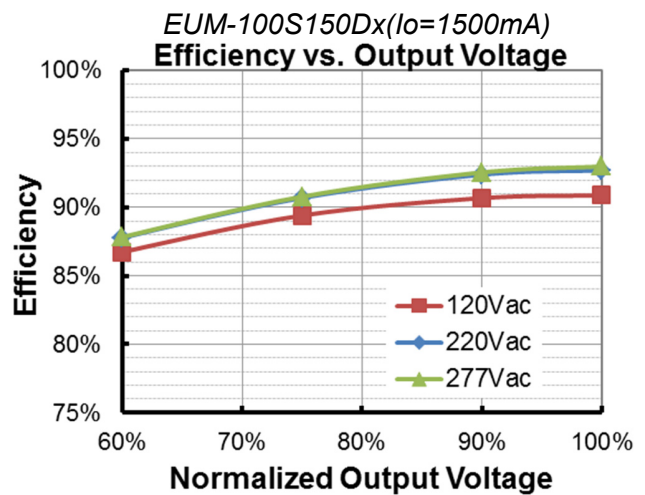
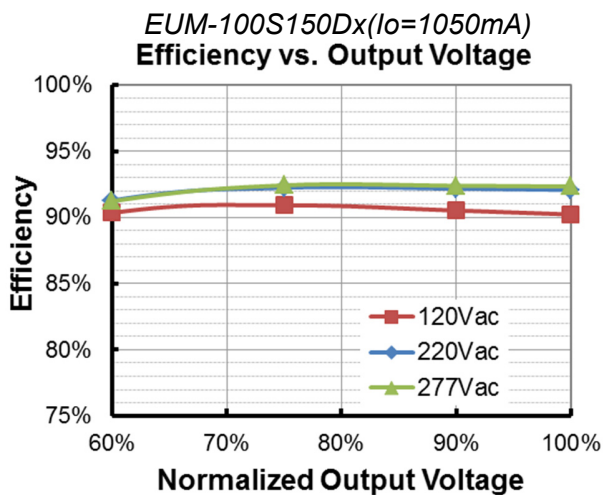
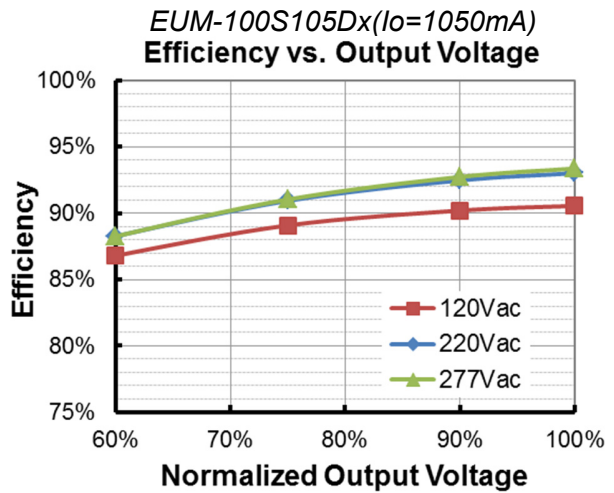
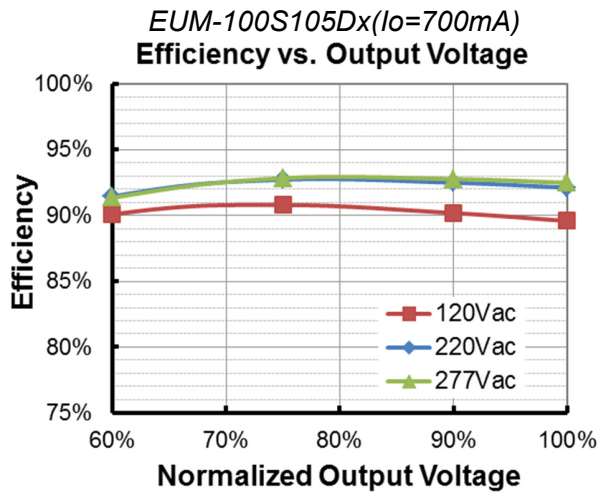


## Inrush Current Waveform



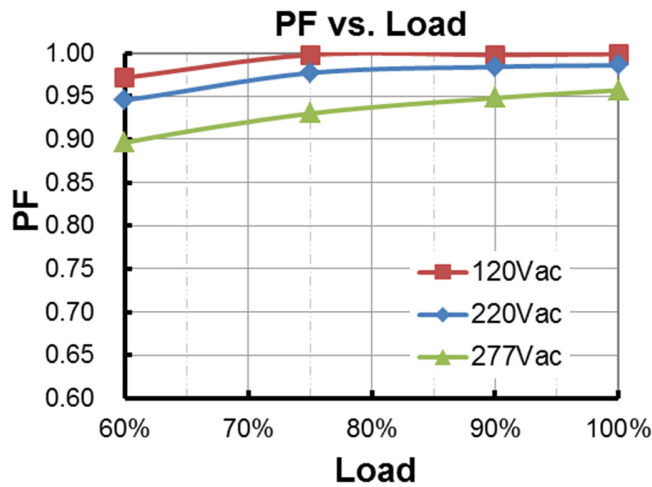
## Efficiency vs. Load



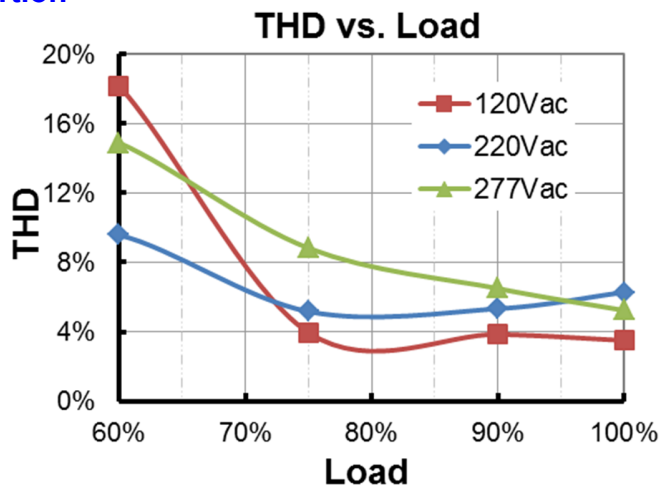




## Power Factor



## Total Harmonic Distortion



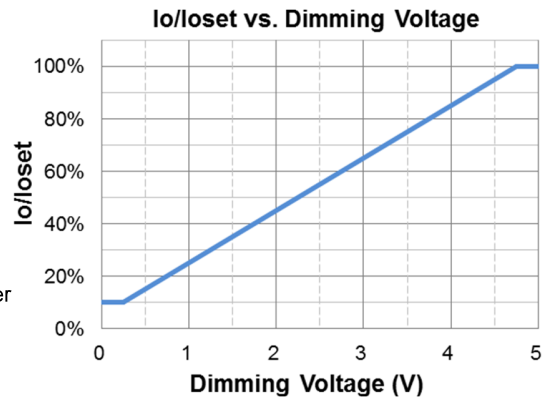
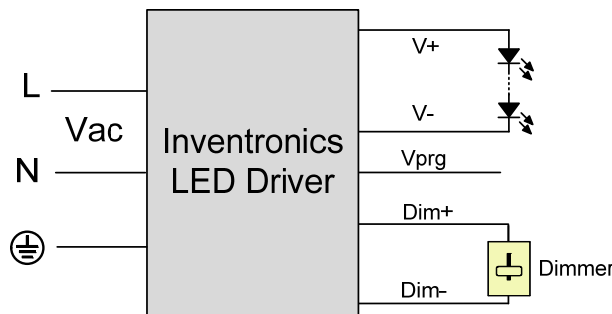
## Protection Functions

Parameter	Notes
Over Temperature Protection	Decreases output current, returning to normal after over temperature is removed.
Short Circuit Protection	Auto Recovery. No damage will occur when any output is short circuited. The output shall return to normal when the fault condition is removed.
Over Voltage Protection	Limits output voltage at no load and in case the normal voltage limit fails.

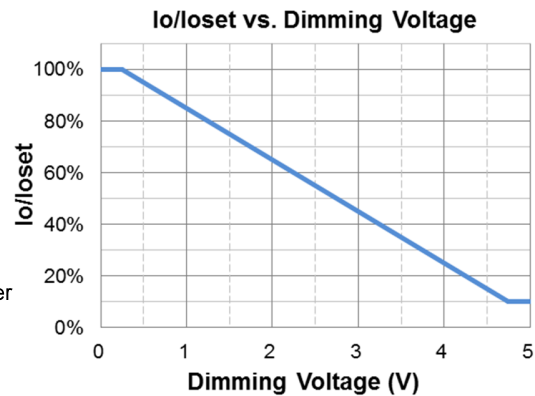
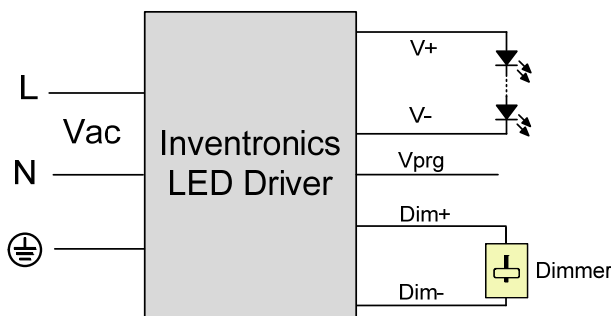
## Dimming

### ● 1-5V Dimming

The recommended implementation of the dimming control is provided below.



Implementation 1: Positive logic



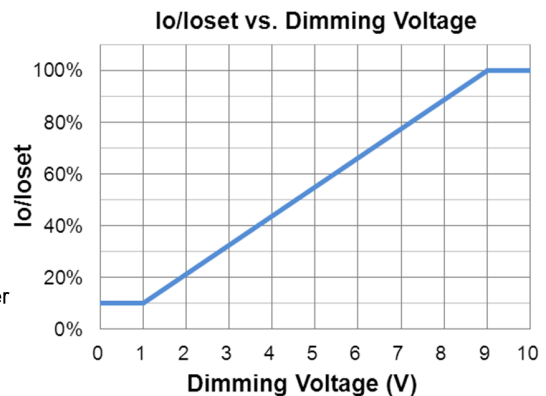
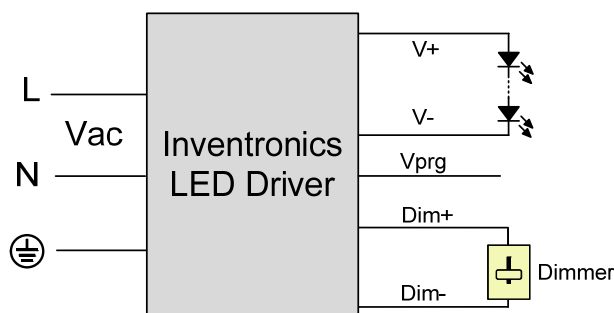
Implementation 2: Negative logic

**Notes:**

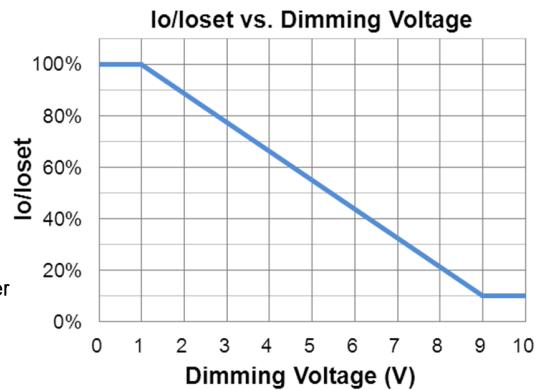
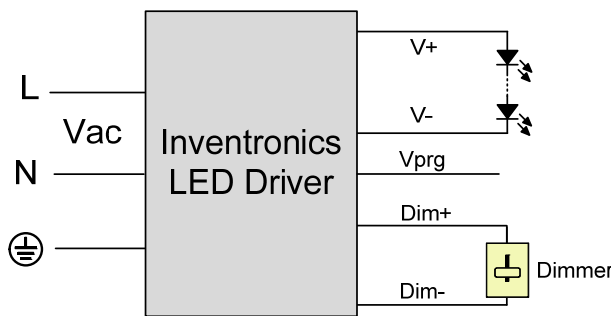
1. Do NOT connect Dim- to the output V- or V+, otherwise the driver will not work properly.
2. The dimmer can also be replaced by an active 1-5V voltage source signal or passive components like zener.
3. When 1-5V negative logic dimming mode and Dim+ is open, the driver will output maximum current.

● **1-10V Dimming**

The recommended implementation of the dimming control is provided below.



Implementation 3: Positive logic



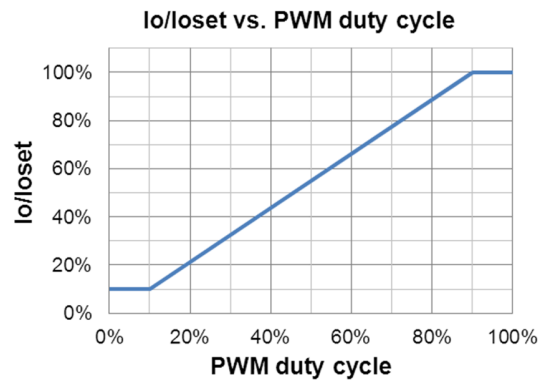
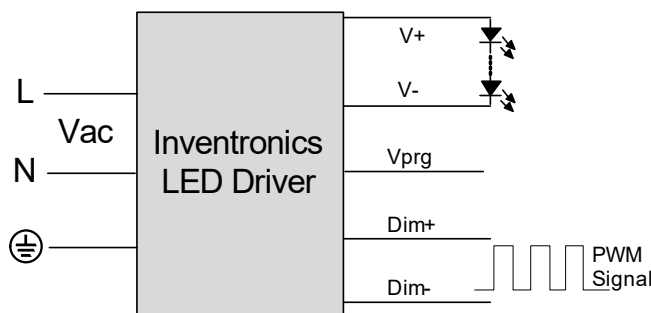
**Implementation 4: Negative logic**

**Notes:**

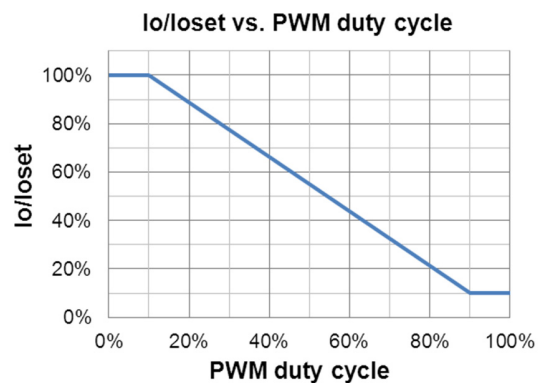
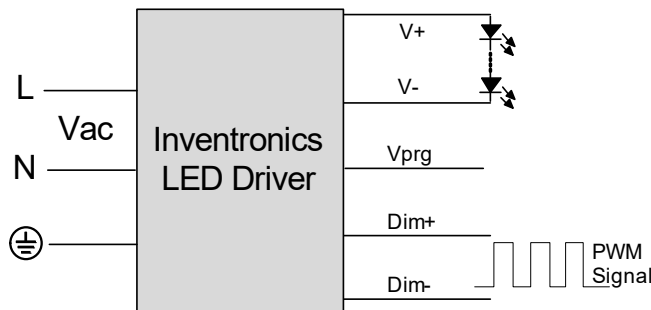
1. Do NOT connect Dim- to the output V- or V+, otherwise the driver will not work properly.
2. The dimmer can also be replaced by an active 1-10V voltage source signal or passive components like zener.
3. When 1-10V negative logic dimming mode and Dim+ is open, the driver will output minimum current.

● **10V PWM Dimming**

The recommended implementation of the dimming control is provided below.



**Implementation 5: Positive logic**



**Implementation 6: Negative logic**

**Notes:**

1. Do NOT connect Dim- to the output V- or V+, otherwise the driver will not work properly.
2. When 10V PWM negative logic dimming mode and Dim+ is open, the driver will output minimum current.

● **Time Dimming**

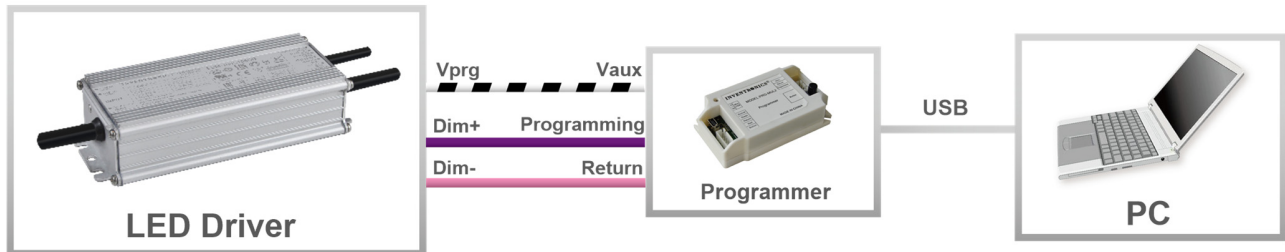
Time dimming control includes 3 kinds of modes, they are Self Adapting-Midnight, Self Adapting-Percentage and Traditional Timer.

- **Self Adapting-Midnight:** Automatically adjusts the dimming curve based on the on-time of past two days (if difference <15 minutes), assuming that the center point of the dimming curve is midnight local time.
- **Self Adapting-Percentage:** Automatically adjusts the on-time of each step by a constant percentage = (actual on-time for the past 2 days if difference <15 min) / (programmed on-time from the dimming curve).
- **Traditional Timer:** Follows the programmed timing curve after power on with no changes.

● **Output Lumen Compensation**

Output Lumen Compensation (OLC) may be used to maintain constant light output over the life of the LEDs by driving them at a reduced current when new, then gradually increasing the drive current over time to counteract LED lumen degradation.

**Programming Connection Diagram**

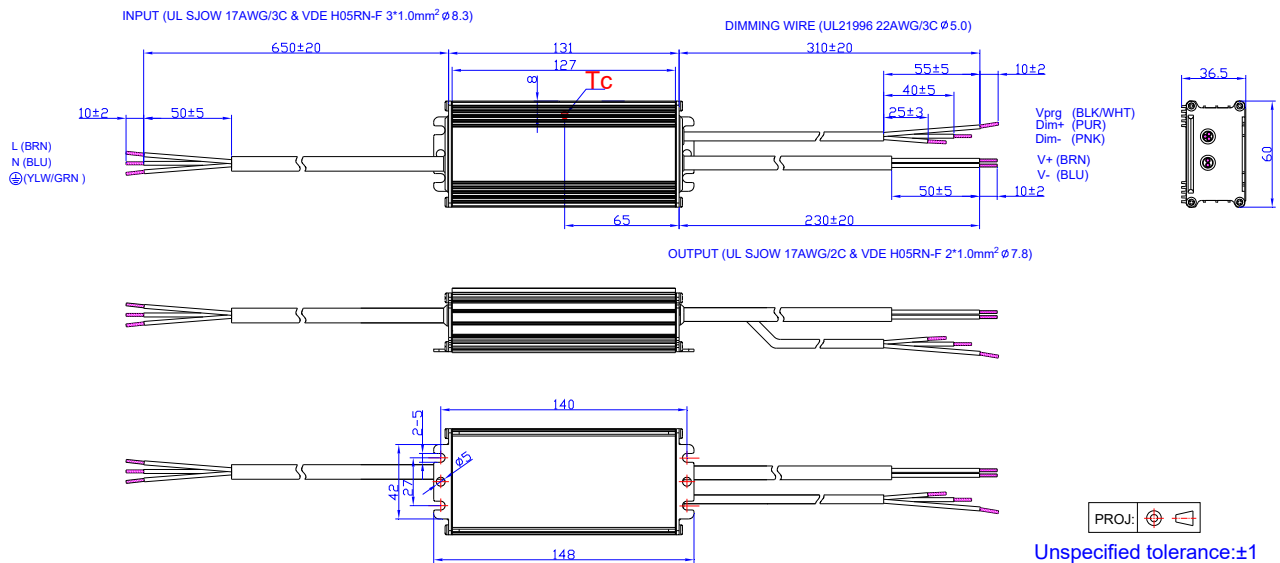


**Note:** The driver does not need to be powered on during the programming process.

- Please refer to [PRG-MUL2](#) (Programmer) datasheet for details.

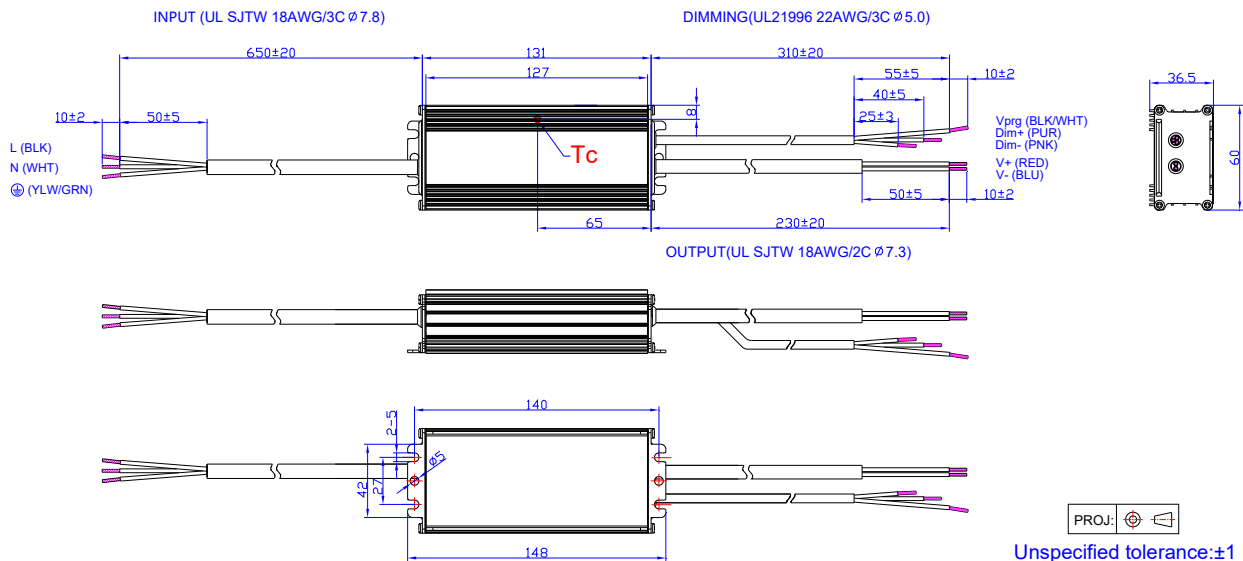
**Mechanical Outline**

EUM-100SxxxDG

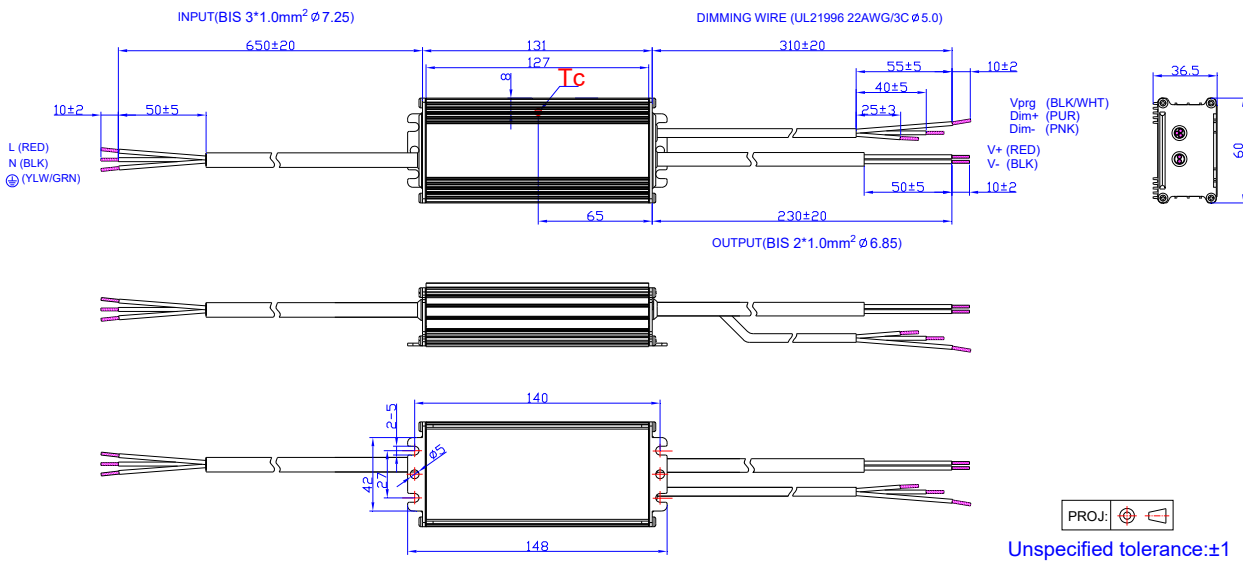


PROJ: Unspecified tolerance:±1

## EUM-100SxxxDT



## EUM-100SxxxDB



## RoHS Compliance

Our products comply with reference to RoHS Directive (EU) 2015/863 amending 2011/65/EU, calling for the elimination of lead and other hazardous substances from electronic products.

## Revision History

Change Date	Rev.	Description of Change		
		Item	From	To
2021-03-09	A	Datasheets Release	/	/
2021-09-29	B	Models	EUM-100S053Dx	Added
		Models	Note (7)	Added
		I-V Operation Area	EUM-100S053Dx	Added
		Output Current Setting(loset) Range	EUM-100S053Dx	Added
		Output Current Setting Range with Constant Power	EUM-100S053Dx	Added
		No Load Output Voltage	EUM-100S053Dx	Added
2021-12-13	C	Efficiency at 120 Vac input:	EUM-100S053Dx	Added
		Efficiency at 220 Vac input:	EUM-100S053Dx	Added
		Efficiency at 277 Vac input:	EUM-100S053Dx	Added
		Dimming Output Range	EUM-100S053Dx	Added
		Efficiency vs. Load	EUM-100S053Dx	Added
		UKCA logo	/	Added
2023-06-05	D	Safety &EMC Compliance	UKCA	Added
		Programming Connection Diagram	EUM-100SxxxDT	Updated
		Mechanical Outline	EUM-100SxxxDT	Updated
		Product Photograph	/	Updated
2023-06-05	D	global-mark	/	Added
		Safety &EMC Compliance	/	Updated
		Dimming	/	Updated
		Programming Connection Diagram	/	Updated
		Mechanical Outline	/	Updated
		Mechanical Outline	/	Updated