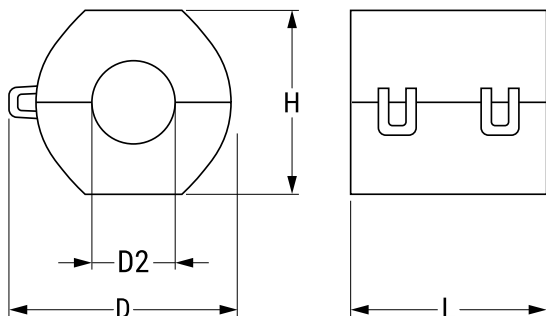


**KEMET Part Number: ESD-SR-S10M**  
(UECESDSRS10M00)

KEMET, ESD-SR, EMI Cores, Noise Suppression



General Information	
<b>Series:</b>	ESD-SR
<b>Style:</b>	Round - Snap-on
<b>Cable Type:</b>	Round Cable
<b>Description:</b>	EMI Core Split, For Round Cables, Snap-on Core
<b>RoHS:</b>	Yes
<b>Qualifications:</b>	UL94V-0
<b>Case Color:</b>	Beige
<b>Materials:</b>	Mn-Zn

Dimensions	
<b>D</b>	15.5mm MAX
<b>D2</b>	6mm MAX
<b>L</b>	18.5mm MAX
<b>H</b>	14mm MAX

Specifications	
<b>Temperature Range:</b>	-40/+85°C
<b>Effective Frequency:</b>	300 MHz (AM Band Range)

Packaging Specifications	
<b>Packaging:</b>	Tray, Box
<b>Packaging Quantity:</b>	800
<b>Weight:</b>	4.1 g