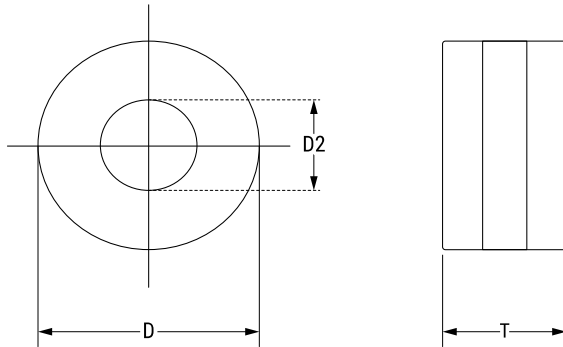


**KEMET Part Number: ESD-R-1469637H-NC23**  
(UECESDN1469603)

KEMET, ESD-R-NC, EMI Cores, Noise Suppression



Dimensions	
D	146mm MAX
D2	96mm +/-1mm
T	37mm MAX

Packaging Specifications	
Packaging:	Tray, Box
Packaging Quantity:	6
Weight:	1.2 kg

General Information	
Series:	ESD-R-NC
Style:	Round - Toroidal
Cable Type:	Round Cable
Description:	EMI Core Solid, Large-Size Ring Type, For Round Cables
Features:	Low and High Frequency Range, Flame Retardancy
RoHS:	Yes
Qualifications:	UL94V-0
Case Color:	Black with yellow tape
Materials:	Nanocrystal

Specifications	
Temperature Range:	-40/+120°C
Effective Frequency:	10 MHz (AM Band Range) or 300 MHz (FM Band Range)