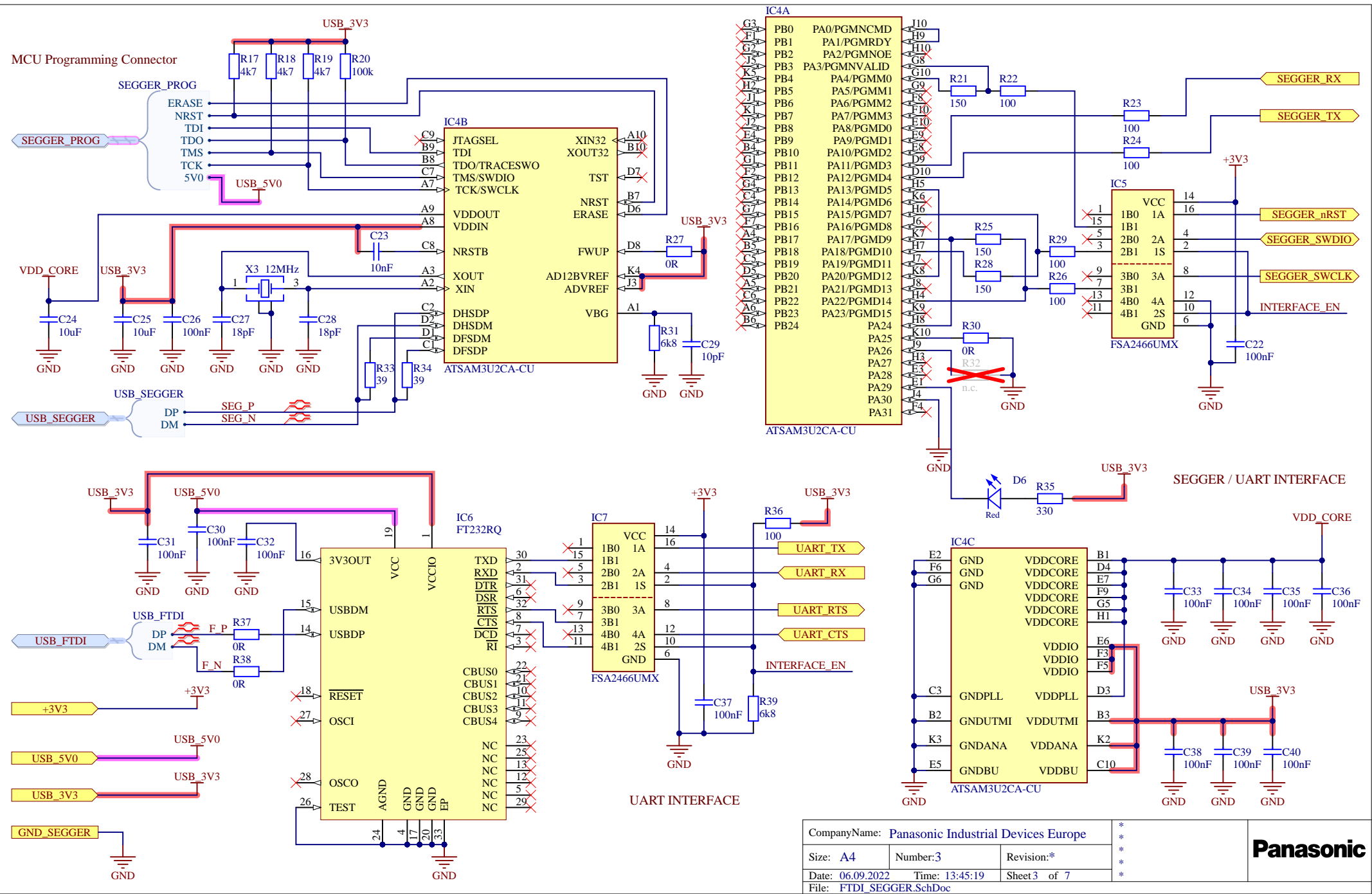
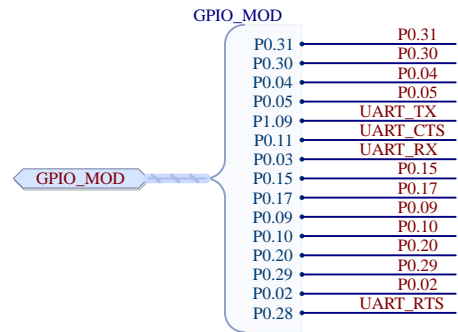
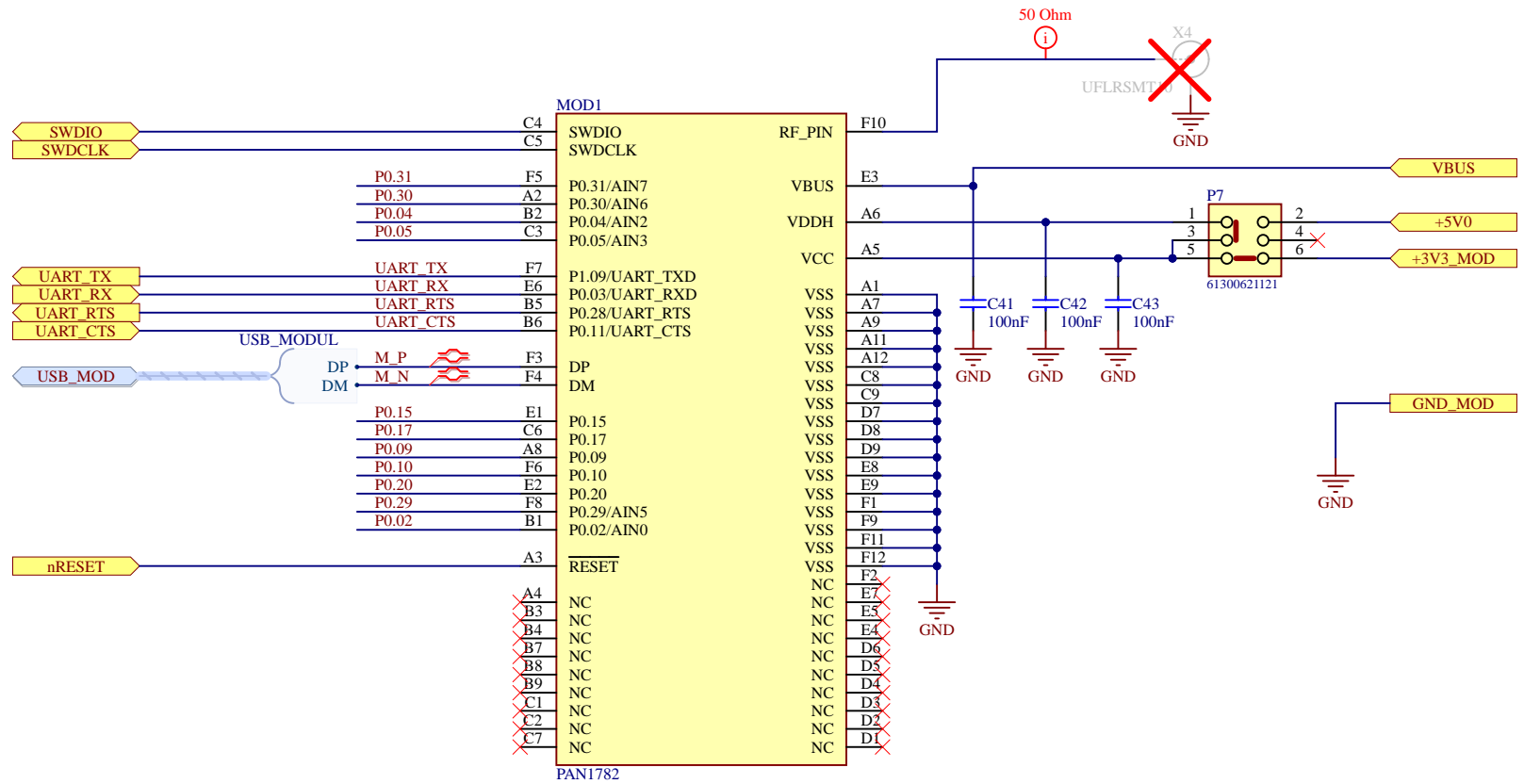


| | | | |
|--------------------------------------------------|----------------|--------------|---|
| CompanyName: Panasonic Industrial Devices Europe | | | * |
| Size: A4 | Number: 2 | Revision: * | * |
| Date: 06.09.2022 | Time: 13:45:19 | Sheet 2 of 7 | * |
| File: USB_HUB.SchDoc | | | * |

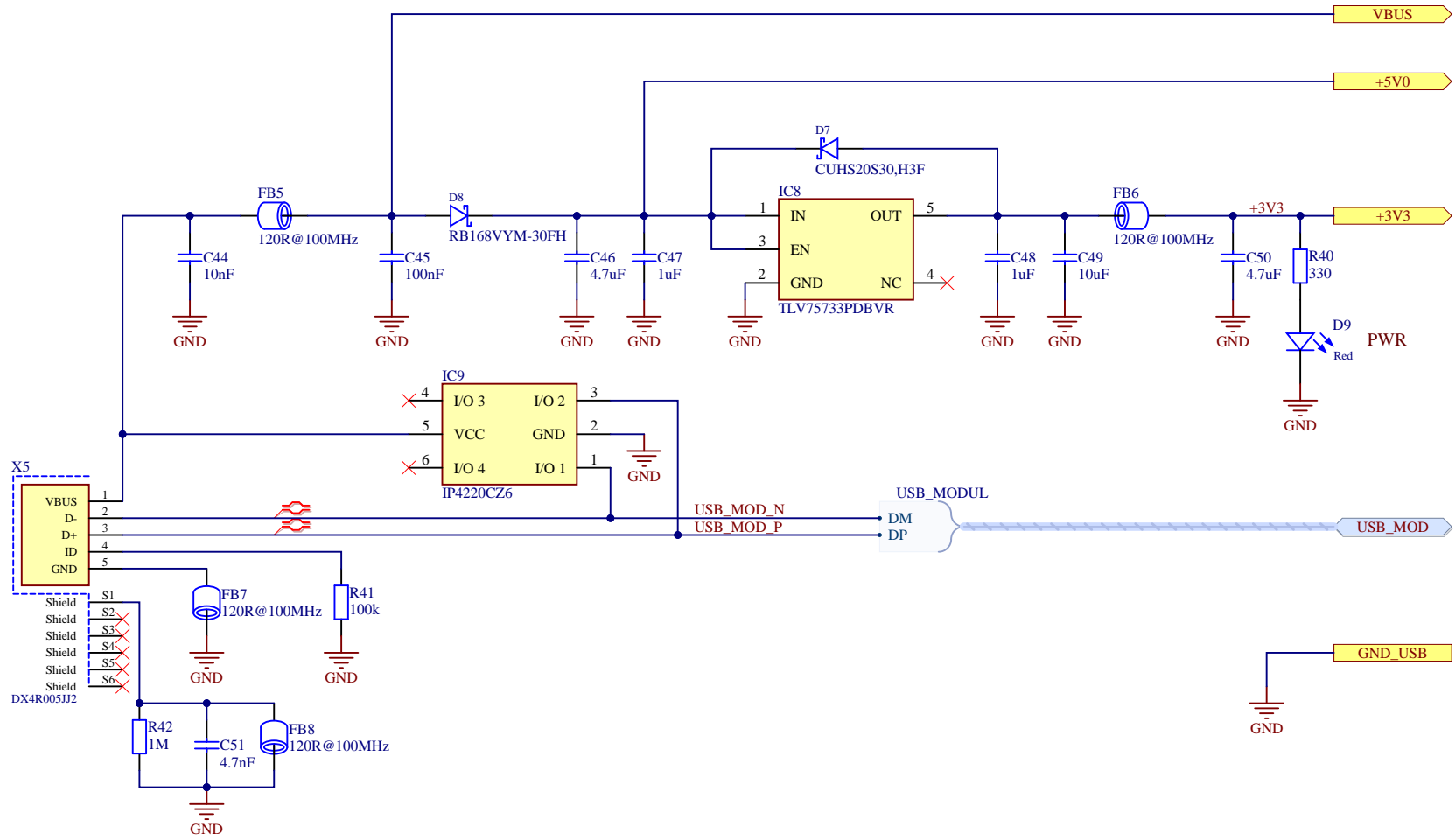
Panasonic





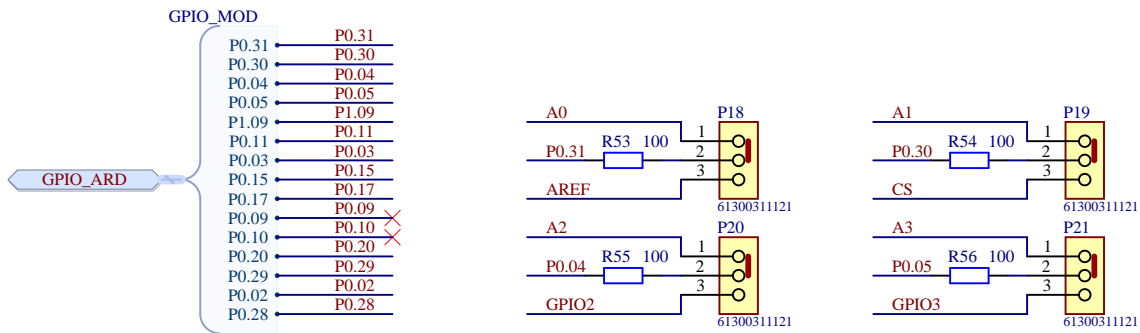
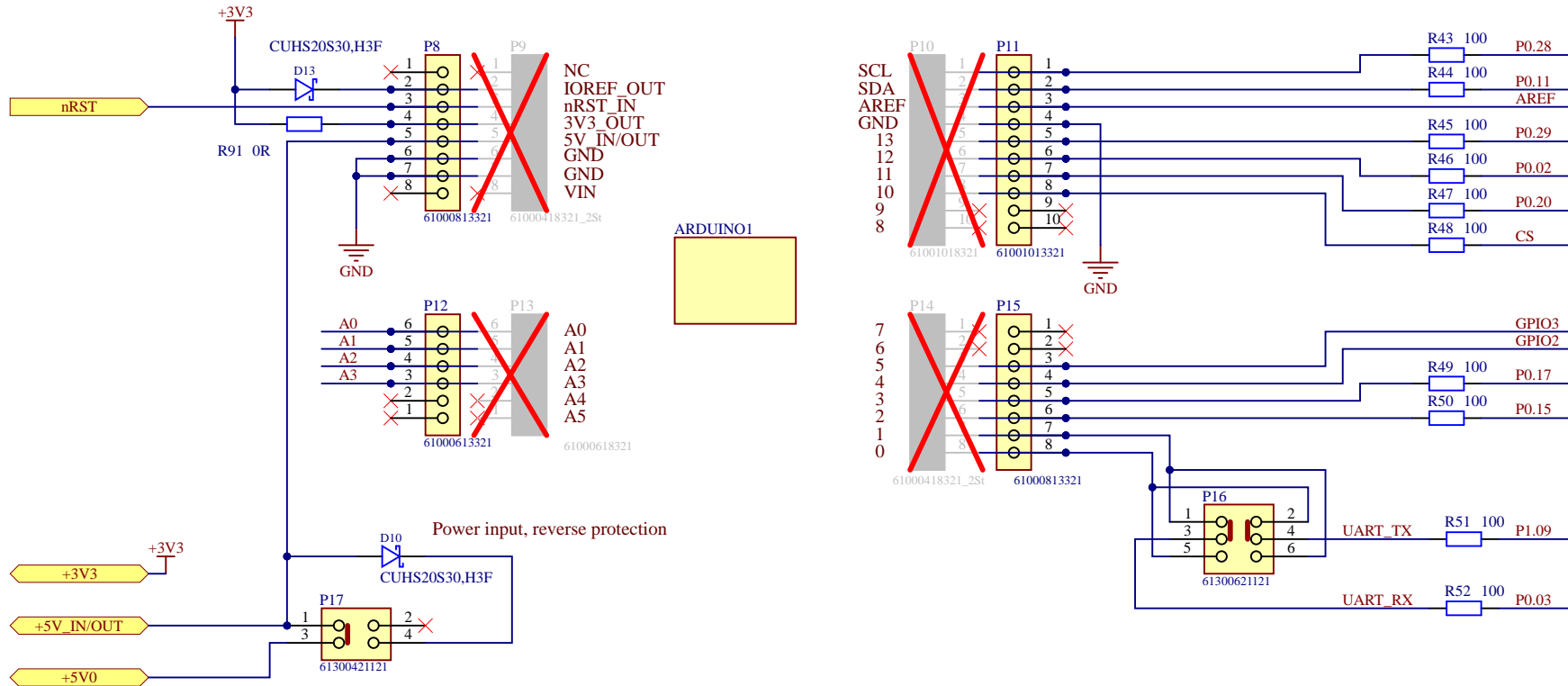
| | | |
|--------------------------------------------------|----------------|---|
| CompanyName: Panasonic Industrial Devices Europe | | * |
| Size: A4 | Number:4 | * |
| Date: 06.09.2022 | Time: 13:45:20 | * |
| File: MOD_PAN1782.SchDoc | Sheet4 of 7 | * |

Panasonic



| | | | |
|--------------------------------------------------|----------------|-------------|---|
| CompanyName: Panasonic Industrial Devices Europe | | | * |
| Size: A4 | Number:5 | Revision:* | * |
| Date: 06.09.2022 | Time: 13:45:20 | Sheet5 of 7 | * |
| File: USB INTERFACE_POWER SUPPLY.SchDoc | | | * |

Panasonic

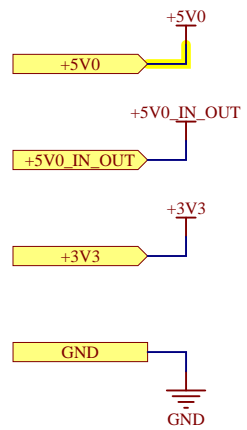
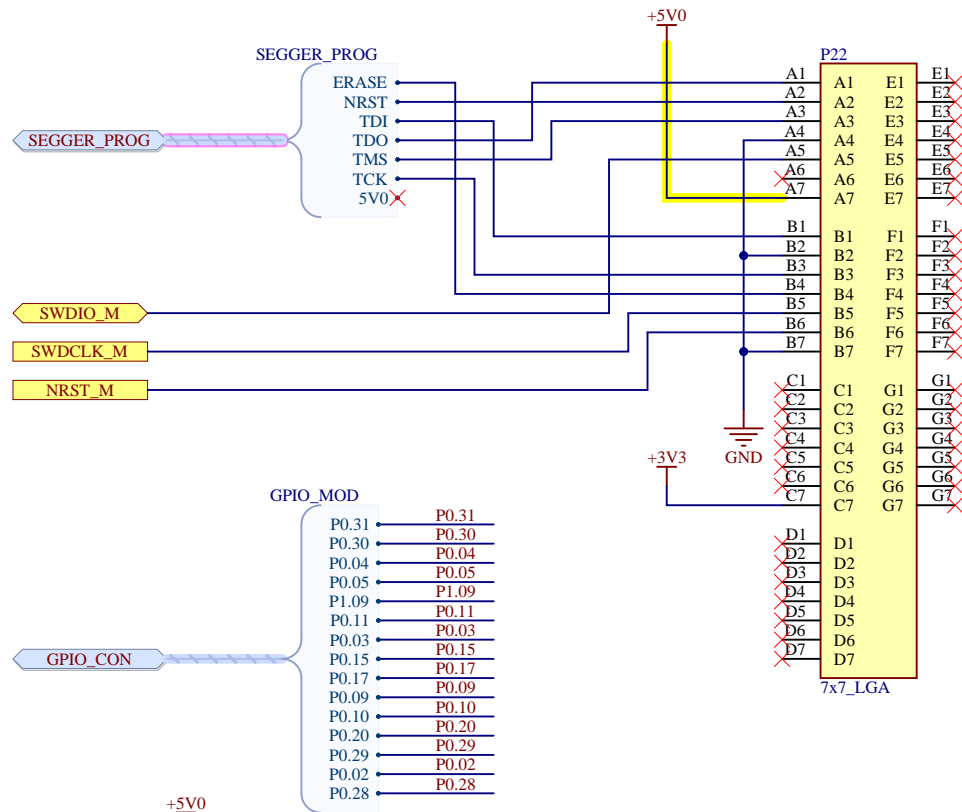


Arduino Interface Connectors

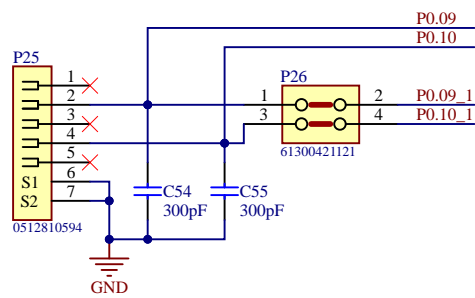
| | | | |
|--------------------------------------------------|----------------|--------------|---|
| CompanyName: Panasonic Industrial Devices Europe | | | * |
| Size: A4 | Number:6 | Revision:* | * |
| Date: 06.09.2022 | Time: 13:45:20 | Sheet 6 of 7 | * |
| File: ARDUINO_CONNECTORS.SchDoc | | | * |

Panasonic

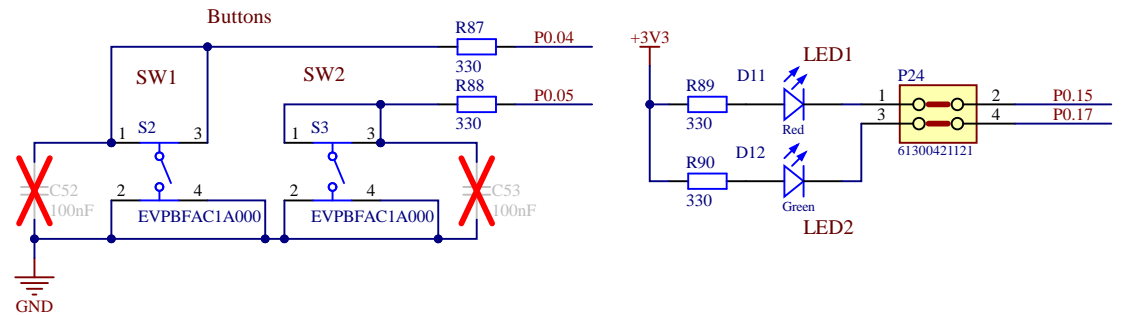
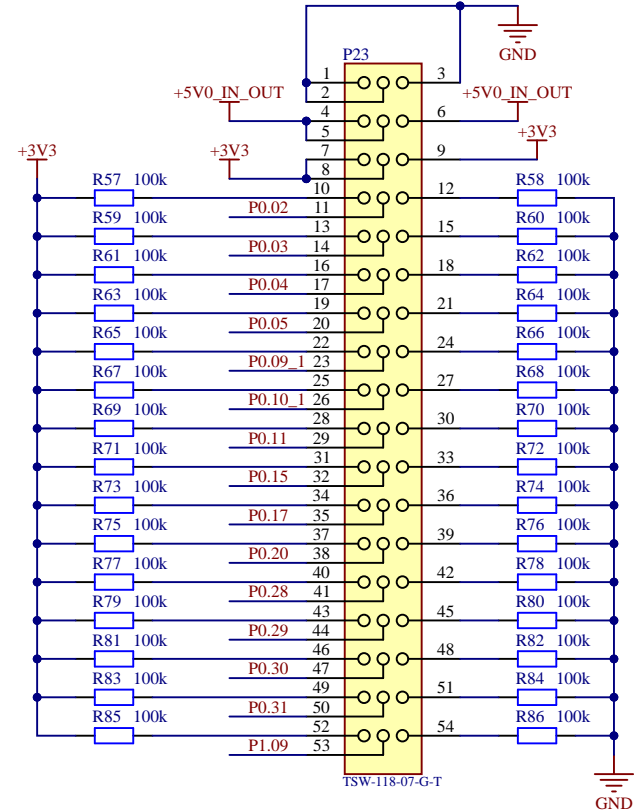
Debug and Interface MCU Programming Connector



Optional NFC Antenna Connector



GPIO Interface connector



| | | | | |
|--------------------------------------------------|----------------|--------------|------------------|------------------|
| CompanyName: Panasonic Industrial Devices Europe | | | * * * * | Panasonic |
| Size: A4 | Number:7 | Revision:* | | |
| Date: 06.09.2022 | Time: 13:45:20 | Sheet 7 of 7 | | |
| File: GPIO_Connectors.SchDoc | | | | |