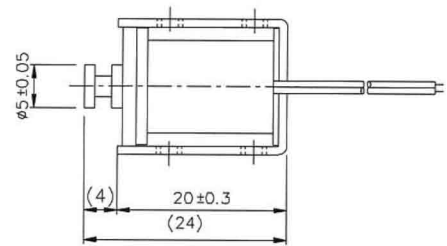
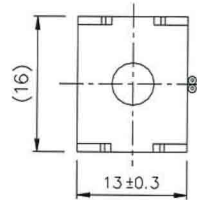
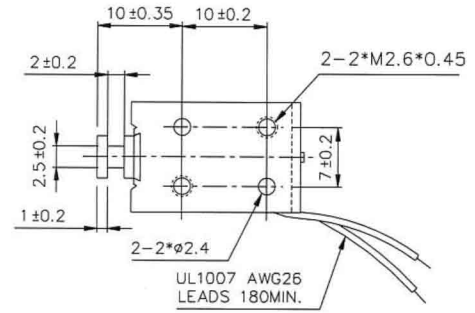
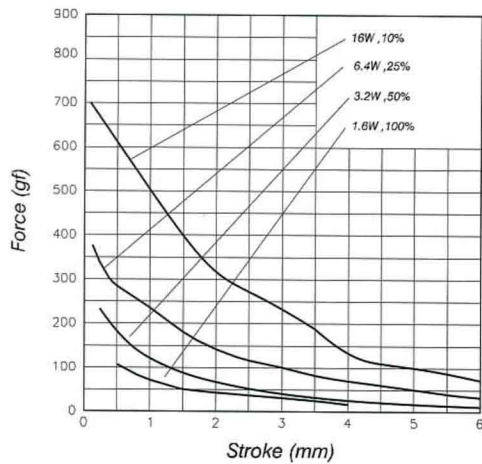


Plunger Weight : 2.4g
 Total Weight : 18g

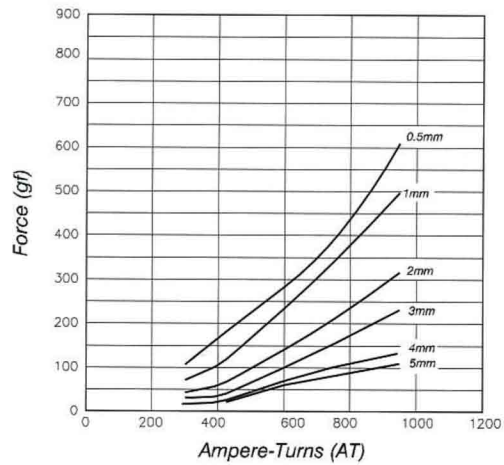


Shown Energized UNIT : mm

STROKE Vs FORCE



AMPERE-TURNS Vs FORCE



COIL DATA

$\text{Duty cycle (\%)} = \frac{\text{"ON" time}}{\text{"ON" time} + \text{"OFF" time}} \times 100\%$			Continuous (100%)	Or less (50%)	Or less (25%)	Or less (10%)
$\text{(\%)} = \frac{\text{ON}}{\text{ON} + \text{OFF}} \times 100\%$			(100%)	(50%)	(25%)	(10%)
MAX. "on" time in seconds ON			∞	55	19	3
Watts at 20°C (W) 20°C			1.6	3.2	6.4	16.0
Ampere-turns at 20°C AT 20°C			300	424	600	948
Type no.	Resistance (20°C) Ω ± 10%	No. turns	Volts DC			
	(Ω) ± 10%					
EMA-0520L-06	23	1150	6	8.5	12	19
EMA-0520L-12	90	2290	12	17	24	38
EMA-0520L-24	360	4500	24	34	48	76
EMA-0520L-48	1440	8600	48	68	96	152