


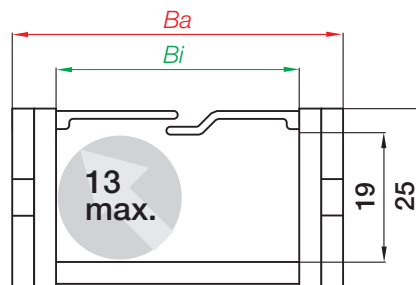
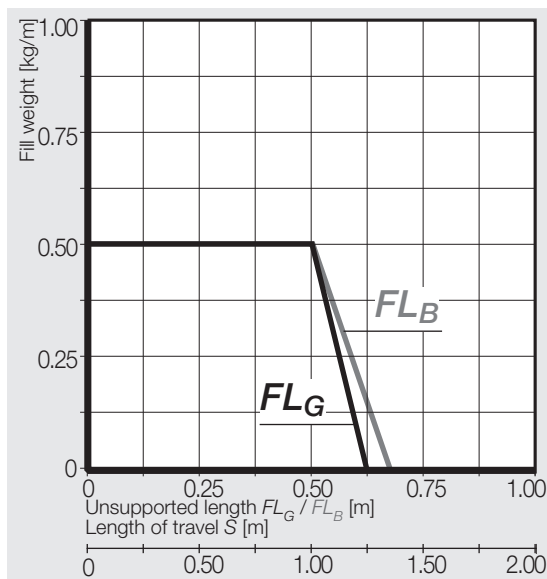
Series E14 | Split crossbar along the outer radius
Series Z14 | Split crossbar along the inner radius

 Split crossbar along outer radius	Split crossbar along inner radius	<i>Bi</i> [mm]	<i>Ba</i> [mm]	<i>R</i> Bending radii [mm]	Weight [kg/m]
E14. 1 .R.0	Z14. 1 .R.0	15	27	028 038 048 075 100 125	≈ 0,31
E14. 2 .R.0	Z14. 2 .R.0	25	37	028 038 048 075 100 125	≈ 0,32
E14. 3 .R.0	Z14. 3 .R.0	38	50	028 038 048 075 100 125	≈ 0,40
E14. 4 .R.0	Z14. 4 .R.0	50	62	028 038 048 075 100 125	≈ 0,44

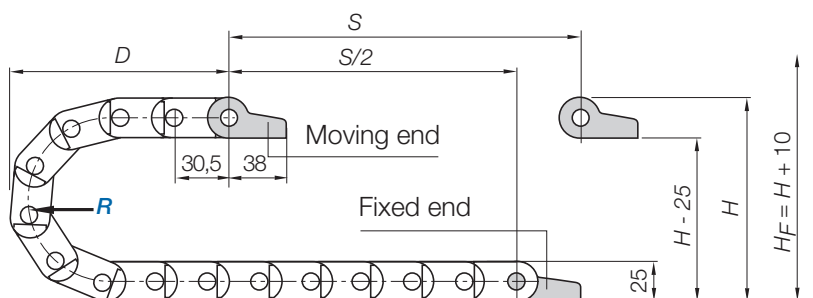
Supplement Part No. with required radius (*R*). Example: **E14.1.028.0**

Ba: pin dimension approx. 0,3 - 0,5 mm wider.

Dimensions



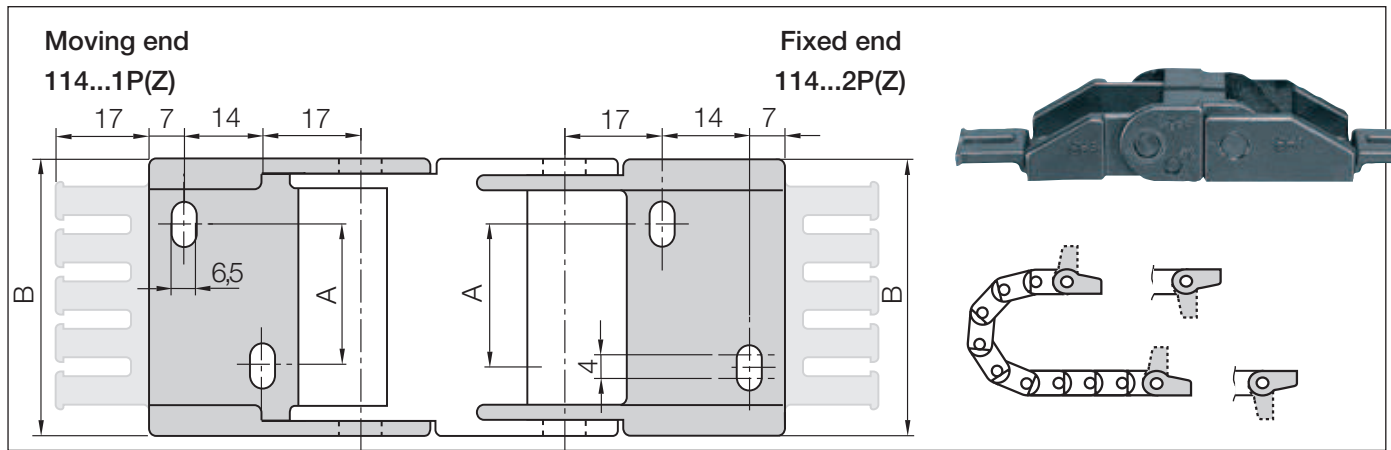
Inner height 20 mm
Pitch 30,5 mm/link
Links/m 33 (1006,5 mm)
Chain length $\frac{S}{2} + K$



<i>R</i>	028	038	048	075	100	125
<i>H</i>	81	101	121	175	225	275
<i>D</i>	86	96	106	133	158	183
<i>K</i>	150	185	215	300	380	455

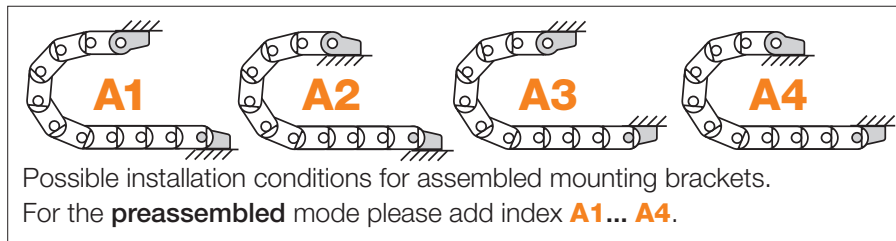
The required clearance height: $H_F = H + 10$ mm (with 0,2 kg/m fill weight)

Mounting brackets, polymer one-piece | locking | More features ► www.igus.eu/E14



Width Index	Standard	Part No. full set with tiewrap plates	Part No. full set without tiewrap plates	Dim. A [mm]	Dim. B [mm]	Number of teeth
1.	►	114.1.12PZ	114.1.12P	–	26,3	2
2.	►	114.2.12PZ	114.2.12P	10	36,3	3
3.	►	114.3.12PZ	114.3.12P	23	49,3	4
4.	►	114.4.12PZ	114.4.12P	35	61,3	5

Material mounting bracket - igumid G, temperature: -40° up to +120° C, VDE 0304 IIC UL94-HB



Part No. structure

114.2. 12 PZ A1 A...must be indicated on preassembled configurations
 With strain relief tiewrap plates
Full set
 Mounting bracket for selected width index