



MICROCHIP

**MGC3140 GestIC[®] Library
Interface Description
User's Guide**

Note the following details of the code protection feature on Microchip devices:

- Microchip products meet the specification contained in their particular Microchip Data Sheet.
- Microchip believes that its family of products is one of the most secure families of its kind on the market today, when used in the intended manner and under normal conditions.
- There are dishonest and possibly illegal methods used to breach the code protection feature. All of these methods, to our knowledge, require using the Microchip products in a manner outside the operating specifications contained in Microchip's Data Sheets. Most likely, the person doing so is engaged in theft of intellectual property.
- Microchip is willing to work with the customer who is concerned about the integrity of their code.
- Neither Microchip nor any other semiconductor manufacturer can guarantee the security of their code. Code protection does not mean that we are guaranteeing the product as "unbreakable."

Code protection is constantly evolving. We at Microchip are committed to continuously improving the code protection features of our products. Attempts to break Microchip's code protection feature may be a violation of the Digital Millennium Copyright Act. If such acts allow unauthorized access to your software or other copyrighted work, you may have a right to sue for relief under that Act.

Information contained in this publication regarding device applications and the like is provided only for your convenience and may be superseded by updates. It is your responsibility to ensure that your application meets with your specifications. MICROCHIP MAKES NO REPRESENTATIONS OR WARRANTIES OF ANY KIND WHETHER EXPRESS OR IMPLIED, WRITTEN OR ORAL, STATUTORY OR OTHERWISE, RELATED TO THE INFORMATION, INCLUDING BUT NOT LIMITED TO ITS CONDITION, QUALITY, PERFORMANCE, MERCHANTABILITY OR FITNESS FOR PURPOSE. Microchip disclaims all liability arising from this information and its use. Use of Microchip devices in life support and/or safety applications is entirely at the buyer's risk, and the buyer agrees to defend, indemnify and hold harmless Microchip from any and all damages, claims, suits, or expenses resulting from such use. No licenses are conveyed, implicitly or otherwise, under any Microchip intellectual property rights unless otherwise stated.

Microchip received ISO/TS-16949:2009 certification for its worldwide headquarters, design and wafer fabrication facilities in Chandler and Tempe, Arizona; Gresham, Oregon and design centers in California and India. The Company's quality system processes and procedures are for its PIC® MCUs and dsPIC® DSCs, KEELoQ® code hopping devices, Serial EEPROMs, microperipherals, nonvolatile memory and analog products. In addition, Microchip's quality system for the design and manufacture of development systems is ISO 9001:2000 certified.

**QUALITY MANAGEMENT SYSTEM
CERTIFIED BY DNV
= ISO/TS 16949 =**

Trademarks

The Microchip name and logo, the Microchip logo, AnyRate, AVR, AVR logo, AVR Freaks, BeaconThings, BitCloud, chipKIT, chipKIT logo, CryptoMemory, CryptoRF, dsPIC, FlashFlex, flexPWR, Heldo, JukeBlox, KEELoQ, KEELoQ logo, Klear, LANCheck, LINK MD, maXStylus, maXTouch, MediaLB, megaAVR, MOST, MOST logo, MPLAB, OptoLyzer, PIC, picoPower, PICSTART, PIC32 logo, Prochip Designer, QTouch, RightTouch, SAM-BA, SpyNIC, SST, SST Logo, SuperFlash, tinyAVR, UNI/O, and XMEGA are registered trademarks of Microchip Technology Incorporated in the U.S.A. and other countries.

ClockWorks, The Embedded Control Solutions Company, EtherSynch, Hyper Speed Control, HyperLight Load, IntelliMOS, mTouch, Precision Edge, and Quiet-Wire are registered trademarks of Microchip Technology Incorporated in the U.S.A.

Adjacent Key Suppression, AKS, Analog-for-the-Digital Age, Any Capacitor, AnyIn, AnyOut, BodyCom, CodeGuard, CryptoAuthentication, CryptoCompanion, CryptoController, dsPICDEM, dsPICDEM.net, Dynamic Average Matching, DAM, ECAN, EtherGREEN, In-Circuit Serial Programming, ICSP, Inter-Chip Connectivity, JitterBlocker, KlearNet, KlearNet logo, Mindi, MiWi, motorBench, MPASM, MPF, MPLAB Certified logo, MPLIB, MPLINK, MultiTRAK, NetDetach, Omniscient Code Generation, PICDEM, PICDEM.net, PICKit, PICTail, PureSilicon, QMatrix, RightTouch logo, REAL ICE, Ripple Blocker, SAM-ICE, Serial Quad I/O, SMART-I.S., SQI, SuperSwitcher, SuperSwitcher II, Total Endurance, TSHARC, USBCheck, VariSense, ViewSpan, WiperLock, Wireless DNA, and ZENA are trademarks of Microchip Technology Incorporated in the U.S.A. and other countries.

SQTP is a service mark of Microchip Technology Incorporated in the U.S.A.

Silicon Storage Technology is a registered trademark of Microchip Technology Inc. in other countries.

GestIC is a registered trademark of Microchip Technology Germany II GmbH & Co. KG, a subsidiary of Microchip Technology Inc., in other countries.

All other trademarks mentioned herein are property of their respective companies.

© 2018, Microchip Technology Incorporated, All Rights Reserved.
ISBN: 978-1-5224-1292-2

Table of Contents

Preface	5
Chapter 1. Introduction	
1.1 Purpose of this Document	10
1.2 MGC3140 Software Architecture	10
1.3 GestIC [®] Library	12
1.4 Bridge	12
1.5 Application Software	12
Chapter 2. MGC3140 Host Interface	
2.1 MGC3140 Hardware Interface	13
Chapter 3. GestIC[®] Library Message Interface	
3.1 Messages Overview	15
3.2 Message Format	15
3.3 Message Header	16
3.4 Message Payload	16
3.5 Message Coding and Decoding	17
3.5.1 Header Extraction	17
3.5.2 Payload Extraction	18
3.6 Message Control Flow and Coding Examples	19
3.6.1 Message Control Flow	19
3.6.2 Read GestIC Library Version	20
3.6.2.1 Example: Request_FW_Version Info	20
3.6.3 Run-Time Control	21
3.6.3.1 Example: Enable Approach Detection	21
3.6.3.2 Example: Enable All Gestures	21
3.6.3.3 Example: Enable Data Output	22
3.6.3.4 Example: Lock Data Output	22
3.6.4 Sensor Data Output	23
3.6.4.1 Example: Read Sensor Data Output	23
Chapter 4. GestIC[®] Library Message Reference	
4.1 Echo_Request	25
4.2 System_Status	25
4.3 Request_Message	28
4.4 Fw_Version_Info	29
4.5 Set_Runtime_Parameter	32
4.5.1 Trigger	33
4.5.2 Make Persistent	33
4.5.3 Analog Front-End (AFE) Category	34
4.5.3.1 Electrode Mapping	34
4.5.4 Digital Signal Processing (DSP) Category	35

4.5.4.1 Transmit Frequency Selection	35
4.5.4.2 Touch Detection	36
4.5.4.3 Approach Detection	36
4.5.5 System Category	37
4.5.5.1 AirWheel	37
4.5.5.2 Gesture Processing (HMM)	37
4.5.5.3 Calibration Operation Mode	38
4.5.5.4 Data Output Enable Mask	39
4.5.5.5 Data Output Lock Mask	40
4.5.5.6 Data Output Request Mask	41
4.6 Sensor_Data_Output	42
Chapter 5. Messages for GestIC[®] Library Update	
5.1 Library Loader Update Procedure	47
5.2 FwUpdateStart	48
5.3 FwUpdateStartPage	49
5.4 FwUpdateToBuffer	49
5.5 FwUpdateFlashBuffer	50
5.6 FwUpdateVerify	50
5.7 FwUpdateCompleted	51
Appendix A. I²C Command Examples	
Appendix B. Glossary	
Worldwide Sales and Service	59



MGC3140 GestIC[®] LIBRARY INTERFACE DESCRIPTION

Preface

NOTICE TO CUSTOMERS

All documentation becomes dated, and this manual is no exception. Microchip tools and documentation are constantly evolving to meet customer needs, so some actual dialogs and/or tool descriptions may differ from those in this document. Please refer to our website (www.microchip.com) to obtain the latest documentation available.

Documents are identified with a “DS” number. This number is located on the bottom of each page, in front of the page number. The numbering convention for the DS number is “DSXXXXA”, where “XXXX” is the document number and “A” is the revision level of the document.

For the most up-to-date information on development tools, see the MPLAB[®] IDE online help. Select the Help menu, and then Topics to open a list of available online help files.

INTRODUCTION

This chapter contains general information that will be useful to know before using the MGC3140 GestIC[®] Library Interface. Items discussed in this chapter include:

- Document Layout
- Conventions Used in this Guide
- Warranty Registration
- Recommended Reading
- The Microchip Website
- Development Systems Customer Change Notification Service
- Customer Support
- Document Revision History

DOCUMENT LAYOUT

This document describes the MGC3140 GestIC Library and is organized as follows:

- **Chapter 1. Introduction**
- **Chapter 2. MGC3140 Host Interface**
- **Chapter 3. GestIC[®] Library Message Interface**
- **Chapter 4. GestIC[®] Library Message Reference**
- **Chapter 5. Messages for GestIC[®] Library Update**
- **Appendix A. I²C Command Examples**
- **Appendix B. Glossary**

CONVENTIONS USED IN THIS GUIDE

This manual uses the following documentation conventions:

DOCUMENT CONVENTIONS

Description	Represents	Examples
Arial font:		
Italic characters	Referenced books	<i>MPLAB[®] IDE User's Guide</i>
	Emphasized text	...is the <i>only</i> compiler...
Initial caps	A window	the Output window
	A dialog	the Settings dialog
	A menu selection	select Enable Programmer
Quotes	A field name in a window or dialog	"Save project before build"
Underlined, italic text with right angle bracket	A menu path	<u><i>File>Save</i></u>
Bold characters	A dialog button	Click OK
	A tab	Click the Power tab
N'Rnnnn	A number in verilog format, where N is the total number of digits, R is the radix and n is a digit.	4'b0010, 2'hF1
Text in angle brackets < >	A key on the keyboard	Press <Enter>, <F1>
Courier New font:		
Plain Courier New	Sample source code	<code>#define START</code>
	Filenames	<code>autoexec.bat</code>
	File paths	<code>c:\mcc18\h</code>
	Keywords	<code>_asm, _endasm, static</code>
	Command-line options	<code>-Opa+, -Opa-</code>
	Bit values	<code>0, 1</code>
	Constants	<code>0xFF, 'A'</code>
Italic Courier New	A variable argument	<i>file.o</i> , where <i>file</i> can be any valid filename
Square brackets []	Optional arguments	<code>mcc18 [options] file [options]</code>
Curly brackets and pipe character: { }	Choice of mutually exclusive arguments; an OR selection	<code>errorlevel {0 1}</code>
Ellipses...	Replaces repeated text	<code>var_name [, var_name...]</code>
	Represents code supplied by user	<code>void main (void) { ... }</code>

WARRANTY REGISTRATION

Please complete the enclosed Warranty Registration Card and mail it promptly. Sending in the Warranty Registration Card entitles users to receive new product updates. Interim software releases are available at the Microchip website.

RECOMMENDED READING

This user's guide describes how to use MGC3140 GestIC Library Interface. Other useful documents are listed below. The following Microchip documents are available and recommended as supplemental reference resources.

MGC3140 3D Tracking and Gesture Controller Data Sheet (40002037)

Consult this document for information regarding the MGC3140 3D Tracking and Gesture Controller.

Aurea Graphical User Interface User's Guide

Describes how to use the MGC3X30 Aurea Graphical User Interface.

GestIC[®] Design Guide (DS40001716)

This document describes the GestIC system characteristic parameters and the design process. It enables the user to generate a good electrode design and to parameterize the full GestIC system.

Aurea Software Package – Aurea GUI and GestIC Library

The Aurea GUI contains detailed information on GestIC library features and their parameterization. This information can be accessed via the help pages inside the Aurea parameterization wizard and can also be found as html documents in the Aurea installation folder '01_ Documentation'.

THE MICROCHIP WEBSITE

Microchip provides online support via our website at www.microchip.com. This website is used as a means to make files and information easily available to customers. Information about GestIC technology and MGC3140 can be directly accessed via <http://www.microchip.com/gestic>.

DEVELOPMENT SYSTEMS CUSTOMER CHANGE NOTIFICATION SERVICE

Microchip's customer notification service helps keep customers current on Microchip products. Subscribers will receive e-mail notification whenever there are changes, updates, revisions or errata related to a specified product family or development tool of interest.

To register, access the Microchip website at www.microchip.com, click on Customer Change Notification and follow the registration instructions.

The Development Systems product group categories are:

- **Compilers** – The latest information on Microchip C compilers, assemblers, linkers and other language tools. These include all MPLAB[®] C compilers; all MPLAB assemblers (including MPASM[™] assembler); all MPLAB linkers (including MPLINK[™] object linker); and all MPLAB librarians (including MPLIB[™] object librarian).
- **Emulators** – The latest information on Microchip in-circuit emulators. This includes the MPLAB[®] REAL ICE[™] and MPLAB ICE 2000 in-circuit emulators.
- **In-Circuit Debuggers** – The latest information on the Microchip in-circuit debuggers. This includes MPLAB ICD 3 in-circuit debuggers and PICKit[™] 3 debug express.
- **MPLAB[®] IDE** – The latest information on Microchip MPLAB IDE, the Windows Integrated Development Environment for development systems tools. This list is focused on the MPLAB IDE, MPLAB IDE Project Manager, MPLAB Editor and MPLAB SIM simulator, as well as general editing and debugging features.
- **Programmers** – The latest information on Microchip programmers. These include production programmers such as MPLAB REAL ICE in-circuit emulator, MPLAB ICD 3 in-circuit debugger and MPLAB PM3 device programmers. Also included are nonproduction development programmers such as PICSTART[®] Plus and PICKit 2 and 3.

CUSTOMER SUPPORT

Users of Microchip products can receive assistance through several channels:

- Distributor or Representative
- Local Sales Office
- Field Application Engineer (FAE)
- Technical Support

Customers should contact their distributor, representative or field application engineer (FAE) for support. Local sales offices are also available to help customers.

Technical support is available through the website at:

<http://www.microchip.com/support>.

DOCUMENT REVISION HISTORY

Revision A (June, 2018)

Initial release of the document.

Chapter 1. Introduction

1.1 PURPOSE OF THIS DOCUMENT

This document is the interface description of the MGC3140's GestIC[®] Library. It outlines the function of the Library's I²C message interface and contains the complete message reference to control and operate the MGC3140 system. The interface provides the capability to configure run time parameters and read back gesture data, positional information and status. More detailed configuration can be performed on design time parameters using the Colibri suite.

The main sections covered are:

- Description of the message interface and data protocol
- Message reference of the GestIC Library

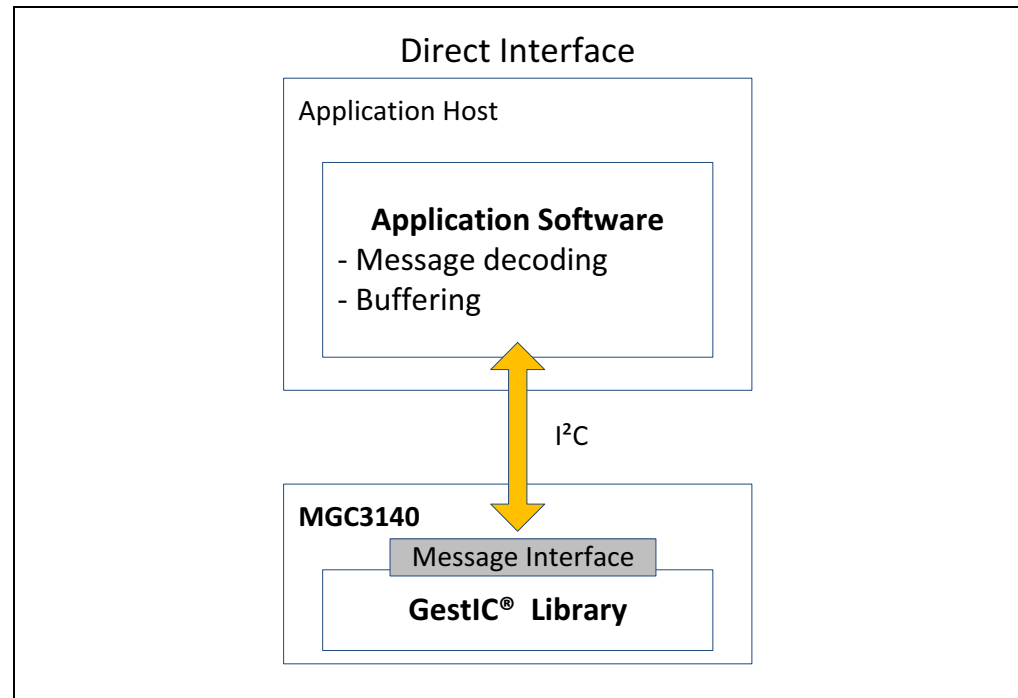
The parameterization of the Colibri Suite is not covered in this document. That is only possible via Aurea PC software. Refer to the help pages inside the Aurea parameterization wizard and to the *"Aurea Graphical User Interface User's Guide"* (DS40001681).

1.2 MGC3140 SOFTWARE ARCHITECTURE

An MGC3140 system can be accessed by direct I²C access via the message interface of the GestIC Library (direct interface).

Examples for the two principal options are shown in [Figure 1-1](#).

FIGURE 1-1: EXAMPLES FOR MGC3140 SOFTWARE ACCESS



The direct interface is the simplest way to access MGC3140, but it requires the user to receive and decode all I²C messages and validate received data. Direct access is recommended if a reduced set of sensor data is used by the application (e.g., gestures only, position only).

1.3 GestIC[®] LIBRARY

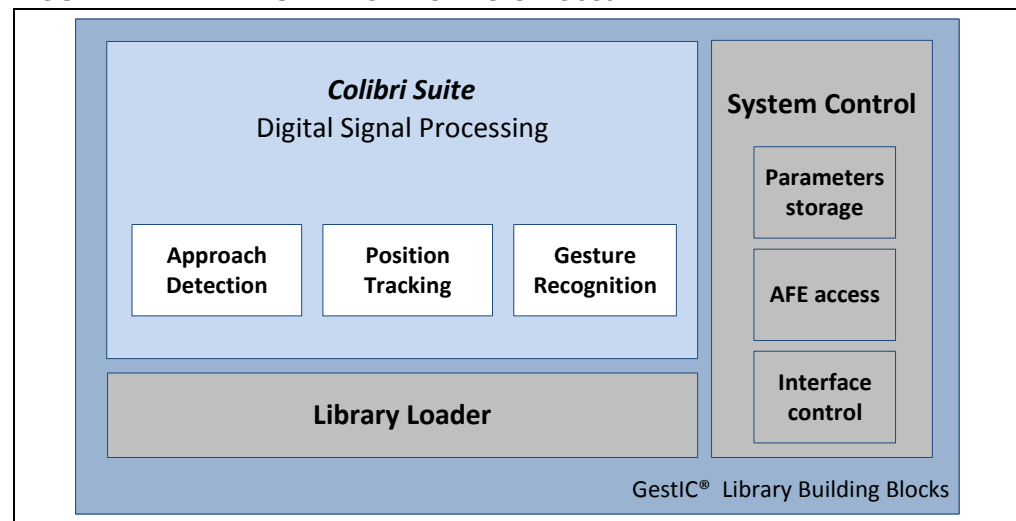
The GestIC Library is embedded firmware stored on the MGC3140's internal Flash memory. It contains:

- the Colibri Suite with the digital signal processing algorithms for GestIC features (i.e., GestIC core features Approach Detection, Position Tracking and Gesture Recognition)
- the System Control block providing full control of host interfaces, parameter storage and AFE access
- the Library Loader for updates of the GestIC Library

The main building blocks are shown in [Figure 1-2](#).

The GestIC Library incorporates a message-based interface that allows the Configuration of the chip and the streaming of the sensor data to the host application.

FIGURE 1-2: BUILDING BLOCKS OF GestIC[®] LIBRARY



1.4 BRIDGE

An additional hardware bridge is needed if the application host does not support a native I²C interface. The bridge converts the I²C hardware protocol to USB/UART.

If a hardware bridge is incorporated, the application host may need an additional device driver to register the interface and provide MGC3140 data within the operating system.

Examples are:

- A Windows[®] CDC driver to send MGC3140 data to a virtual COM port. In this case, the driver is not aware of the MGC3140 data format.
- An HID driver to use the MGC3140 data directly as USB HID classes within the operating system. Because this driver must decode MGC3140 messages, it is recommended that the GestIC API reference code is included in it.

1.5 APPLICATION SOFTWARE

The sensor output is used in a user's application which integrates context-driven actions based on the user's hand movements.

Typically, the application software provides a Graphical User Interface (GUI) to visualize the MGC3140 control options, like Aurea, which is delivered within the MGC3140 evaluation and development kits.

Chapter 2. MGC3140 Host Interface

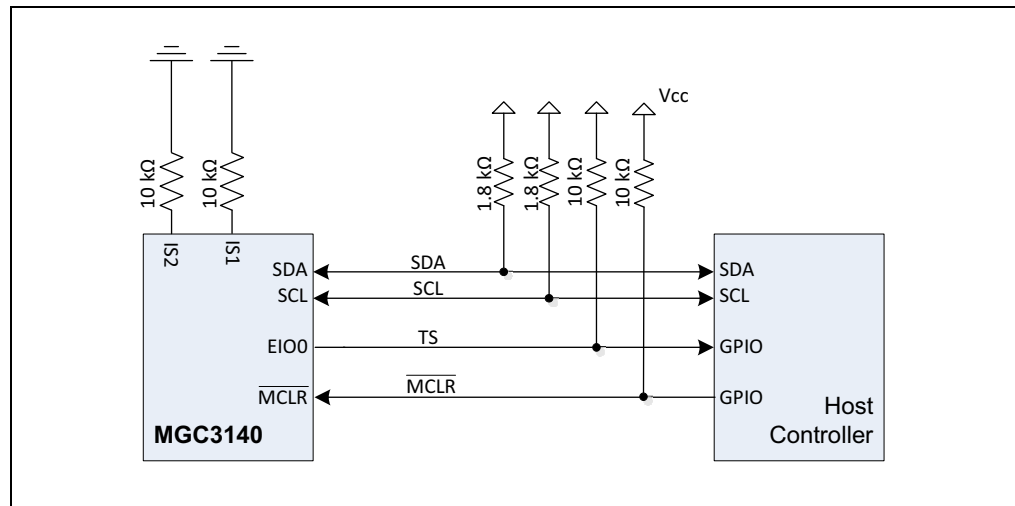
2.1 MGC3140 HARDWARE INTERFACE

Communication with the MGC3140 is accomplished via a two-wire I²C-compatible serial port, supported by the TS and MCLR lines, so the user can read the sensor data and send control messages to the chip. The MGC3140 communicates via the serial interface with a master controller, which operates at speeds up to 400 kHz. One pin (IS2) is available for address selection and enables the user to connect up to two MGC3140 devices on the same bus without address conflict.

Note: The MGC3140 I²C address is 0x42. It is given as device addresses without the R/W bit. Please compare to the “MGC3140 3D Tracking and Gesture Controller Data Sheet” (40001860).

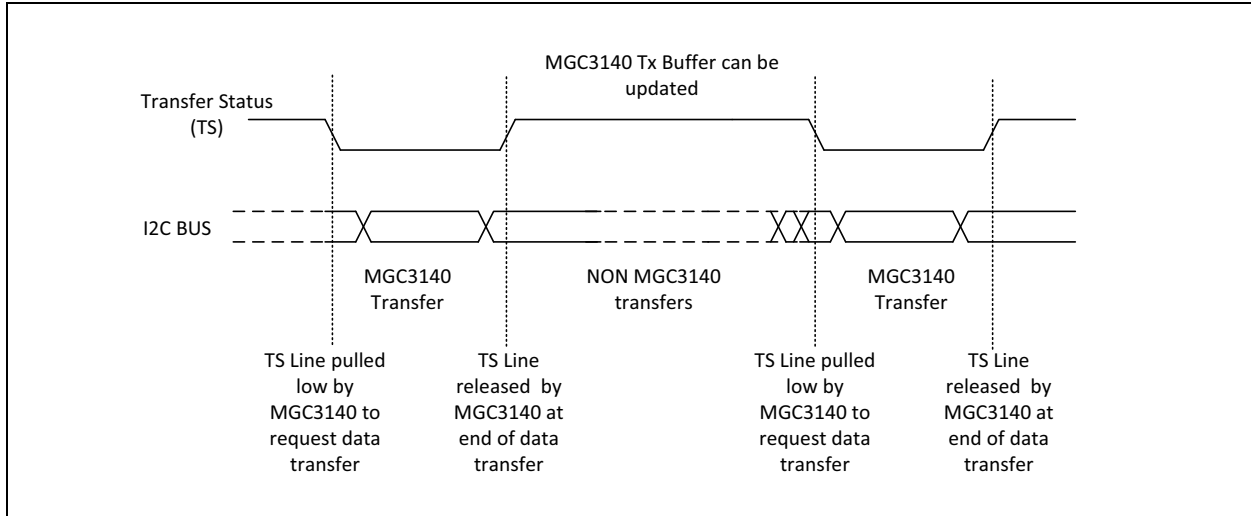
MGC3140 requires a dedicated Transfer Status Line that signals the I²C master when new data is available (Interrupt Line). I²C SCL, I²C SDA and TS lines require an open-drain connection on MGC3140 and the connected host controller. To function properly, I²C SCL and I²C SDA need to be pulled up to Vcc with 1.8 kΩ resistors and the TS line needs to be pulled up to Vcc with a 10 kΩ resistor.

FIGURE 2-1: HARDWARE INTERFACE TO HOST CONTROLLER



To complete the control options for MGC3140, it is recommended that the host controller controls the MGC3140 MCLR line. In particular, the hardware Reset is necessary for the update procedure of the GestIC Library.

FIGURE 2-2: MGC3140 COMMUNICATION PROTOCOL



- Note 1:** The Stop condition after an I²C data transmission is generated by the host controller (I²C Master) after the data transfer is completed. Thus, it is recommended to verify the amount of bytes to be read in the message header (Size field).
- 2:** Transfer Status is only needed for data transfer from MGC3140 to the host controller. Writing to MGC3140 does not use the TS signal.

Chapter 3. GestIC[®] Library Message Interface

3.1 MESSAGES OVERVIEW

GestIC[®] Library messages are defined for providing sensor data to the host application and for controlling MGC3140 and its embedded features. They are sent as the payload of the I²C packets.

TABLE 3-1: MESSAGES FOR SYSTEM CONTROL

ID	Name	Page
0x40	Echo_Request	25
0x15	System_Status	25
0x06	Request_Message	28
0x83	Fw_Version_Info	29
0xA2	Set_Runtime_Parameter	32

TABLE 3-2: MESSAGE FOR SENSOR DATA OUTPUT

ID	Name	Page
0x91	Sensor_Data_Output	42

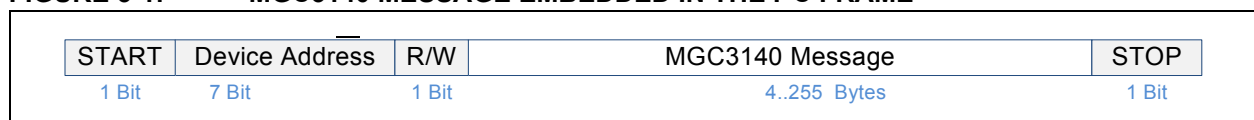
TABLE 3-3: MGC3140 MESSAGES – BOOTLOADER DESCRIPTION

ID	Name	Page
0x70	FwUpdateStart	48
0x71	FwUpdateStartPage	49
0x72	FwUpdateToBuffer	49
0x73	FwUpdateFlashBuffer	50
0x74	FwUpdateVerify	50
0x75	FwUpdateCompleted	51

3.2 MESSAGE FORMAT

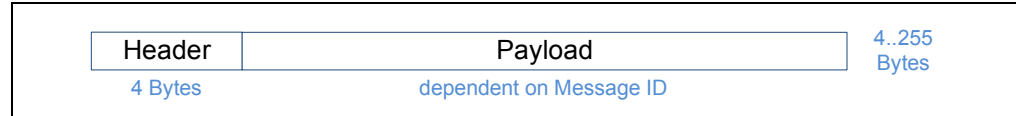
A message is the container to exchange data between the GestIC Library and the application host. Each message has a minimum length of 4 bytes and a maximum of 255 bytes, and fits into the data packets of the communication interface (e.g., I²C). Each frame transports a single message (see [Figure 3-1](#)).

FIGURE 3-1: MGC3140 MESSAGE EMBEDDED IN THE I²C FRAME



A message consists always of a 4-byte header and a variable payload. The format is shown in [Figure 3-2](#).

FIGURE 3-2: MGC3140 MESSAGE FORMAT



3.3 MESSAGE HEADER

The GestIC Library message header is fixed and has a length of 4 bytes. It contains four data fields, as shown in Figure 3-3 and explained in Table 3-4.

FIGURE 3-3: MGC3140 MESSAGE HEADER

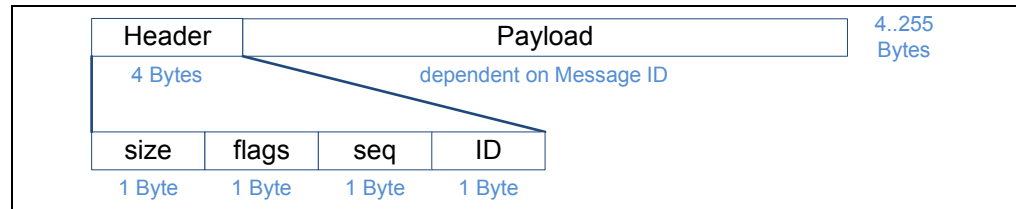


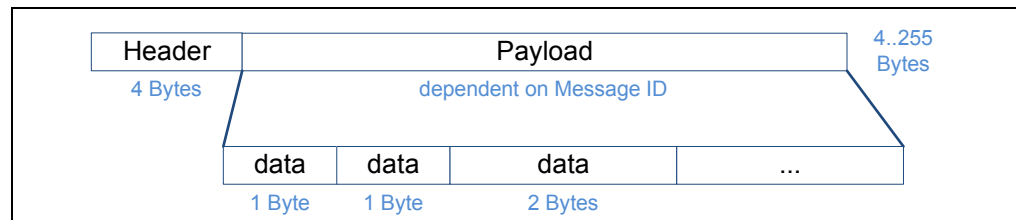
TABLE 3-4: DATA FIELDS OF MGC3140 MESSAGE HEADER

Field	Size (in bytes)	Description
Msg. Size	1	Complete size of the message in bytes including the header.
Flags	1	Reserved for future use.
Seq.	1	Sequence number which is increased for each message sent out by MGC3140. Range is 0...255. The host controller can use that information to verify if the messages got lost during I ² C transmission. MGC3140 ignores the sequence number in the received messages.
ID	1	ID of the message. For each ID, the GestIC [®] Library holds a dedicated structure containing the message direction, its payload elements and possible reply actions.

3.4 MESSAGE PAYLOAD

The message payload has a variable length and consists of one or more payload elements that contain the information to be exchanged. Depending on the content, these elements can be numerical values or dedicated numbers.

FIGURE 3-4: MGC3140 MESSAGE PAYLOAD



Note: Payload elements are exchanged in little endian format. This means that the Lowest Significant Byte is written first.

Example: Element of 4 bytes: [Byte0]:[Byte1]:[Byte2]:[Byte3]

The structure and content of the payload elements is given in [Chapter 4. “GestIC[®] Library Message Reference”](#).

3.5 MESSAGE CODING AND DECODING

GestIC Library messages can be read as a row of hexadecimal values. In order to decode them, the header and payload elements need to be extracted and mapped to the definition in the message reference (see [Chapter 4. “GestIC[®] Library Message Reference”](#)).

As an example message, ID 0x91, `Sensor_Data_Output` is decoded in the following section.

EXAMPLE 3-1: HEXADECIMAL REPRESENTATION OF MESSAGE 0x91

```
12 00 15 91 0E 01 EF 80 02 10 00 00 00 00 00 00 00
```

3.5.1 Header Extraction

EXAMPLE 3-2: MESSAGE HEADER

```
12 00 15 91 0E 01 EF 80 02 10 00 00 00 00 00 00 00
```

The message header contains the following information:

- Size: 0x12 Message including header has a length of 132 bytes
- Flags: 0x00 Flags are not set
- Seq.: 0x15 The message has been sent out with a sequence number of 21
- ID: 0x91 The message ID is 0x91, `Sensor_Data_Output`

3.5.2 Payload Extraction

EXAMPLE 3-3: MESSAGE PAYLOAD

```
12 00 15 91 0E 01 EF 80 02 10 00 00 00 00 00 00 00
```

According to [Section 4.6 “Sensor_Data_Output”](#), the payload holds the following data:

- **DataOutputConfigMask** (2 bytes)

The value of which is ‘0x010E’ which is to be interpreted as a bit mask indicating which other optional fields are included in the payload. The following bits are set in this example:

- Bit 1: A `GestureInfo` field is included in the payload.
- Bit 2: A `TouchInfo` field is included in the payload.
- Bit 3: The `AirWheelInfo` field is included in the payload.
- Bit 8 is set but it is one of the reserved bits and must be ignored.

As all other bits are not set, no `DSPStatus`, `xyzPosition`, `NoisePower`, `CICData` or `SDData` fields are included in the message.

- **TimeStamp** (1-byte)

Value ‘0xEF’ indicates that the event leading to this message occurred when the 200 Hz wrap-around counter was at value 239 (0xEF). This `TimeStamp` can be used to measure the time difference for events which did not occur too far apart in time (around one second).

- **SystemInfo** (1-byte)

Value ‘0x80’, which only the `DSPRunning` flag is set.

`PositionValid` is not set so there is either no hand in the electrical field or it is too far away.

`AirWheelValid` is not set, so even though there is an `AirWheelInfo` field included in the message, it should be ignored as currently the `AirWheel` gesture is not actively detected

`RawDataValid`, `NoisePowerValid` are also not set, simply because the data is not included in the message

The `EnvironmentalNoise` flag is not set, meaning that there is no external electrical interference which would reduce the performance of the sensor.

- **GestureInfo** (4-bytes)

This field has value ‘0x00001002’. So bits <7:0> have the value ‘0x02’ indicating a west to east flick has been performed. And bits <15:12> contain the value ‘0x1’ indicating that the gesture class was “*Flick gesture*”.

Bit 31 is ‘0’ meaning that the gesture has been completed. If it was ‘1’ it would have meant that the gesture recognition is still in progress.

- **TouchInfo** (4-bytes)

This field is all zeros in the example, which indicates that the user is not currently touching any electrode.

- **AirWheelInfo** (2-bytes)

The value is ‘0x0000’ as currently no `AirWheel` is in progress and the `AirWheelValid` flag in the `SystemInfo` field was ‘0’.

3.6 MESSAGE CONTROL FLOW AND CODING EXAMPLES

3.6.1 Message Control Flow

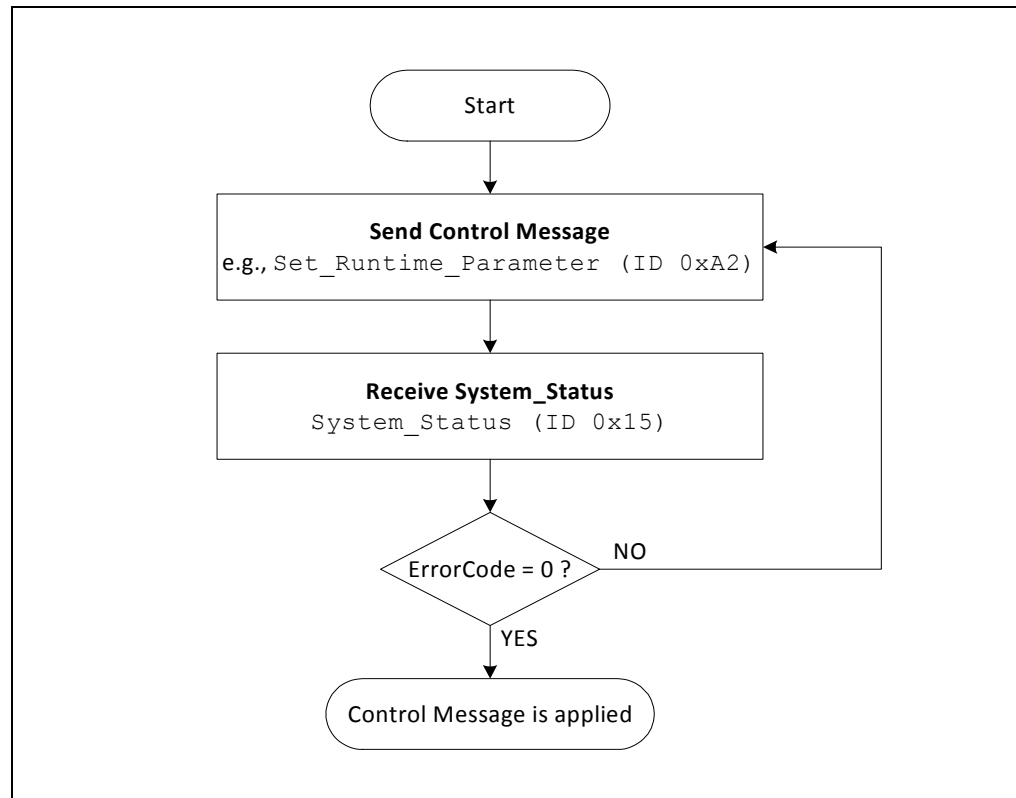
The control of MGC3140 GestIC Library is done through the following messages:

- `Set_Runtime_Parameter` (ID 0xA2)
- `Request_Message` (ID 0x06)

MGC3140 acknowledges each control message by a `System_Status` (ID 0x15), which contains the original message ID and a 2-byte error code. If the error code is '0', the message is applied correctly to MGC3140.

The message control flow from the point of view of the application host is shown in [Figure 3-5](#).

FIGURE 3-5: APPLICATION HOST MESSAGE CONTROL



Note: The Emerald I²C to USB bridge prefixes every I²C packet with 0xFEFF before it is sent out via UART emulation on USB. That is done to allow a frame separation inside the data stream of the PC. For messages sent to MGC3140 via the I²C to USB bridge from a terminal program (e.g., Hterm), the prefix has to be added, as well.

3.6.3 Run-Time Control

A dedicated set of run-time control options is provided within the message `Set_Runtime_Parameter` (0xA2). It can be used to control the active feature set and sensor data output and, thus, it allows the build-up of a context-sensitive operation of MGC3140. For a detailed message description, refer to [Section 4.5 “Set_Runtime_Parameter”](#).

The following examples show how to set relevant runtime parameters.

3.6.3.1 EXAMPLE: ENABLE APPROACH DETECTION

This example shows how to enable the Approach Detection mode by using the message `Set_Runtime_Parameter` (0xA2).

TABLE 3-7: MESSAGE FROM HOST TO MGC3140: SET_RUNTIME_PARAMETER (0xA2)

Raw Message	10 00 00 A2 97 00 00 00 01 00 00 00 01 00 00 00			
Payload Element	RuntimeParameterID	Reserved	Argument0	Argument1
Hex in little endian	97 00	00 00	01 00 00 00	01 00 00 00
Hex decoded	0x0097	n/a	0x00000001	0x00000001
Description	ApproachDetection	n/a	Enable Approach Detection mode	Mask for Approach Detection bit

MGC3140 replies with message `System_Status` (0x15), containing the error code.

TABLE 3-8: MESSAGE FROM MGC3140 TO HOST: SYSTEM_STATUS (0X15)

Raw Message	10 00 08 15 A2 34 00 00 00 00 00 00 00 00 00 00				
Payload Element	MsgID	MaxCmdSize	ErrorCode	Reserved	Reserved
Hex in little endian	A2	34	00 00	00 00 00 00	00 00 00 00
Hex decoded	0xA2	0x34	0x0000	n/a	n/a
Description	Acknowledge to ID 0xA2	n/a	No error	n/a	n/a

3.6.3.2 EXAMPLE: ENABLE ALL GESTURES

This example shows how to enable all gestures (Flicks and Circles) by using the message `Set_Runtime_Parameter` (0xA2).

TABLE 3-9: MESSAGE FROM HOST TO MGC3140: SET_RUNTIME_PARAMETER (0xA2)

Raw Message	10 00 00 A2 85 00 00 00 7F 00 00 00 7F 00 00 00			
Payload Element	RuntimeParameterID	Reserved	Argument0	Argument1
Hex in little endian	85 00	00 00	7F 00 00 00	7F 00 00 00
Hex decoded	0x0085	n/a	0x0000007F	0x0000007F
Description	despGestureMask	n/a	Enable gestures 0..6	Mask for Enable gestures 0..6 bits

MGC3140 replies with message `System_Status` (0x15). Refer to [Table 3-8](#).

GestIC[®] Library Message Interface

3.6.3.3 EXAMPLE: ENABLE DATA OUTPUT

This example shows how to enable the sensor data output of Gesture Data, Touch Data, AirWheel Data and Position Data. Refer to [Section 4.5.5.4 “Data Output Enable Mask”](#).

TABLE 3-10: MESSAGE FROM HOST TO MGC3140: SET_RUNTIME_PARAMETER (0XA2)

Raw Message	10 00 00 A2 A0 00 00 00 1E 00 00 00 FF FF FF FF			
Payload Element	RuntimeParameterID	Reserved	Argument0	Argument1
Hex in little endian	A0 00	00 00	1E 00 00 00	FF FF FF FF
Hex decoded	0xA0	0x0000	0x0000001E	0xFFFFFFFF
Description	DataOutputEnableMask	n/a	Enable bit 1...bit 4; disable all other bits	Overwrite existing Configuration

MGC3140 replies with message `System_Status (0x15)`. Refer to [Table 3-8](#).

3.6.3.4 EXAMPLE: LOCK DATA OUTPUT

This example shows how to lock the sensor data output of Gesture Data, Touch Data, AirWheel Data and Position Data. Refer to [Section 4.5.5.5 “Data Output Lock Mask”](#).

TABLE 3-11: MESSAGE FROM HOST TO MGC3140: SET_RUNTIME_PARAMETER (0XA2)

Raw Message	10 00 00 A2 A1 00 00 00 1E 00 00 00 FF FF FF FF			
Payload Element	RuntimeParameterID	Reserved	Argument0	Argument1
Hex in little endian	A1 00	00 00	1E 00 00 00	FF FF FF FF
Hex decoded	0x00A1	0x0000	0x0000001E	0xFFFFFFFF
Description	DataOutputLockMask	n/a	Enable bit 1...bit 4; disable all other bits	Overwrite existing Configuration

MGC3140 replies with message `System_Status (0x15)`. Refer to [Table 3-8](#).

3.6.4 Sensor Data Output

The GestIC Library processes sensor data with a default update rate of 5 ms. That means the I²C message buffer is regularly updated in that time interval. Whenever new data is available, MGC3140 pulls the TS line to request the I²C master to transfer this data. Sensor data sent from MGC3140 to the host are included in the message `Sensor_Data_Output` (0x91).

The content of the sensor data output can be configured via the message `Set_Runtime_Parameter` (0xA2).

3.6.4.1 EXAMPLE: READ SENSOR DATA OUTPUT

In the following examples the sensor data output is configured according to [Section 3.6.3.3 “Example: Enable Data Output”](#) and [Section 3.6.3.4 “Example: Lock Data Output”](#).

TABLE 3-12: MESSAGE FROM MGC3140 TO HOST: FLICK EAST TO WEST

Raw Message	18 08 FF 91 1E 01 57 8C 03 10 04 00				
Payload Element	SystemInfo	GestureInfo	TouchInfo	Air-WheelInfo	xyzPosition
Hex in little endian	8C	03 10 04 00	00 00 00 00	00 00	00 00 00 00 00 00
Hex decoded	0x8C	0x00041003	0x00000000	0x0000	0x000000000000
Description	Bit 2: RawDataValid Bit 3: NoisePowerValid Bit 7: DSPRunning	Flick East to West	No touch	No AirWheel	No Position Data available

TABLE 3-13: MESSAGE FROM MGC3140 TO HOST: TOUCH OF CENTER ELECTRODE

Raw Message	18 08 3B 91 1E 01 38 8D 00 00 00 00 10 00 00 00 00 00 5A A6 12 53 6B 0A				
Payload Element	SystemInfo	GestureInfo	TouchInfo	Air-WheelInfo	xyzPosition
Hex in little endian	8D	00 00 00 00	10 00 00 00	00 00	5A A6 12 53 6B 0A
Hex decoded	0x8D	0x00000000	0x00000010	0x0000	Byte 1 and 2: 0xA65A Byte 3 and 4: 0x5312 Byte 5 and 6: 0x0A6B
Description	Bit 0: PositionValid Bit 2: RawDataValid Bit 3: NoisePowerValid Bit 7: DSPRunning	No Gesture Detected	Touch on Center Electrode	No AirWheel Data	x: 42586 y: 21266 z: 2667

GestIC[®] Library Message Interface

TABLE 3-14: MESSAGE FROM MGC3140 TO HOST: POSITION

Raw Message	18 08 44 91 1E 01 41 8D 00 00 00 00 00 00 00 00 00 00 2F B2 E7 87 6A 35				
Payload Element	SystemInfo	GestureInfo	TouchInfo	Air-WheelInfo	xyzPosition
Hex in little endian	8D	00 00 00 00	00 00 00 00	00 00	2F B2 E7 87 6A 35
Hex decoded	0x8D	0x00000000	0x00000000	0x0000	Byte 1 and 2: 0xB22F Byte 3 and 4: 0x87E7 Byte 5 and 6: 0x356a
Description	Bit 0: PositionValid Bit 2: RawDataValid Bit 3: NoisePowerValid Bit 7: DSPRunning	No Gesture Detected	Touch on Center Electrode	No AirWheel Data	x: 45615 y: 34791 z: 13674

Chapter 4. GestIC[®] Library Message Reference

4.1 ECHO_REQUEST

When the `Echo_Request` message is sent to the chip, MGC3140 will reply with the same content. Message length and content can be chosen by the user. For a correct communication, the total length of the sent message must be centered in the size field of the message header. The sequence looks like the following:

- Sent: 0A 00 00 40 01 02 03 04 05 06
- Reply: 0A 00 68 40 01 02 03 04 05 06

The `Echo_Request` message is only available for MGC3140.

Direction: Host to MGC3140, reply MGC3140 to Host

TABLE 4-1: ECHO_REQUEST MESSAGE OVERVIEW

Header				Payload
Msg. Size	Flags	Seq.	ID	User defined content
1 Byte	1 Byte	1 Byte	1 Byte	n/a
n/a	n/a	n/a	0x40	Zero or more octets of arbitrary data

4.2 SYSTEM_STATUS

`System_Status` is used to acknowledge the reception of messages from the host. This message holds the error code and is used to confirm the transmission of the following messages:

- [Request_Message](#)
- [Set_Runtime_Parameter](#)
- `FwUpdateStart`
- `FwUpdateStartPage`
- `FwUpdateToBuffer`
- `FwUpdateFlashBuffer`
- `FwUpdateVerify`
- `FwUpdateCompleted`

The message format has been changed compared to MGC3x30 variants.

Direction: MGC3140 to Host

TABLE 4-2: MESSAGE OVERVIEW

Header				Payload						
Msg. Size	Flags	Seq	ID	MsgId	MaxCmdSize	ErrorCode	Reserved1	Flags	SeqCtr	Reserved2
1 Byte	1 Byte	1 Byte	1 Byte	1 Byte	1 Byte	2 Bytes	2 Bytes	1 Byte	1 Byte	4 Bytes
0x10	n/a	n/a	0x15	see description below						

TABLE 4-3: PAYLOAD ELEMENTS

Element	Size	Description																														
MsgId	1	If the status message is in response to a command from the host, then the <code>MsgId</code> (including message header) is accepted by the firmware																														
MaxCmdSize	1	Maximum allowed message size which the firmware will accept																														
ErrorCode	2	<p>Error code, referring to the last received message Structure: 16-bit Word containing dedicated values (see list below) Possible Values:</p> <p>These error codes are sent by the Library Loader, Library Loader Updater and Library:</p> <table style="width: 100%; border: none;"> <tr> <td style="width: 20%;"><code>0x0000</code></td> <td style="width: 40%;">NoError</td> <td style="width: 40%;">OK</td> </tr> <tr> <td><code>0x0001</code></td> <td>UnknownCommand</td> <td>The <code>MsgId</code> is Unknown</td> </tr> </table> <p>These error codes are sent by the Library Loader:</p> <table style="width: 100%; border: none;"> <tr> <td style="width: 20%;"><code>0x0002</code></td> <td style="width: 40%;">InvalidSessionId</td> <td style="width: 40%;">Session ID is invalid or does not match (0x0 is not allowed) (message <code>FwUpdateStart</code>, <code>FwUpdateCompleted</code>)</td> </tr> <tr> <td><code>0x0003</code></td> <td>InvalidMsgCrc</td> <td>CRC of the current message is invalid, (message <code>FwUpdateBlock</code>, <code>FwUpdateStart</code>, <code>FwUpdateCompleted</code>)</td> </tr> <tr> <td><code>0x0004</code></td> <td>InvalidLength</td> <td>Length is invalid (message <code>FwUpdateBlock</code>)</td> </tr> <tr> <td><code>0x0005</code></td> <td>InvalidAddress</td> <td>Address is invalid (message <code>FwUpdatedBlock</code>)</td> </tr> <tr> <td><code>0x0006</code></td> <td>InvalidFunction</td> <td>Function ID is invalid (message <code>FwUpdateStart</code>, <code>FwUpdatedBlock</code>)</td> </tr> <tr> <td><code>0x0008</code></td> <td>ContentMismatch</td> <td>VerifyOnly function found a mismatch between content and Flash memory (message <code>FwUpdateBlock</code>)</td> </tr> <tr> <td><code>0x0009</code></td> <td>NoClientReachable</td> <td>A client is not available, or communication is lost</td> </tr> <tr> <td><code>0x000A</code></td> <td>NoFwPresent</td> <td>No valid Fw is present to execute</td> </tr> </table>	<code>0x0000</code>	NoError	OK	<code>0x0001</code>	UnknownCommand	The <code>MsgId</code> is Unknown	<code>0x0002</code>	InvalidSessionId	Session ID is invalid or does not match (0x0 is not allowed) (message <code>FwUpdateStart</code> , <code>FwUpdateCompleted</code>)	<code>0x0003</code>	InvalidMsgCrc	CRC of the current message is invalid, (message <code>FwUpdateBlock</code> , <code>FwUpdateStart</code> , <code>FwUpdateCompleted</code>)	<code>0x0004</code>	InvalidLength	Length is invalid (message <code>FwUpdateBlock</code>)	<code>0x0005</code>	InvalidAddress	Address is invalid (message <code>FwUpdatedBlock</code>)	<code>0x0006</code>	InvalidFunction	Function ID is invalid (message <code>FwUpdateStart</code> , <code>FwUpdatedBlock</code>)	<code>0x0008</code>	ContentMismatch	VerifyOnly function found a mismatch between content and Flash memory (message <code>FwUpdateBlock</code>)	<code>0x0009</code>	NoClientReachable	A client is not available, or communication is lost	<code>0x000A</code>	NoFwPresent	No valid Fw is present to execute
<code>0x0000</code>	NoError	OK																														
<code>0x0001</code>	UnknownCommand	The <code>MsgId</code> is Unknown																														
<code>0x0002</code>	InvalidSessionId	Session ID is invalid or does not match (0x0 is not allowed) (message <code>FwUpdateStart</code> , <code>FwUpdateCompleted</code>)																														
<code>0x0003</code>	InvalidMsgCrc	CRC of the current message is invalid, (message <code>FwUpdateBlock</code> , <code>FwUpdateStart</code> , <code>FwUpdateCompleted</code>)																														
<code>0x0004</code>	InvalidLength	Length is invalid (message <code>FwUpdateBlock</code>)																														
<code>0x0005</code>	InvalidAddress	Address is invalid (message <code>FwUpdatedBlock</code>)																														
<code>0x0006</code>	InvalidFunction	Function ID is invalid (message <code>FwUpdateStart</code> , <code>FwUpdatedBlock</code>)																														
<code>0x0008</code>	ContentMismatch	VerifyOnly function found a mismatch between content and Flash memory (message <code>FwUpdateBlock</code>)																														
<code>0x0009</code>	NoClientReachable	A client is not available, or communication is lost																														
<code>0x000A</code>	NoFwPresent	No valid Fw is present to execute																														

GestIC[®] Library Message Reference

TABLE 4-3: PAYLOAD ELEMENTS (CONTINUED)

Element	Size	Description	
ErrorCode	2	0x000B WrongParameterAddr Parameter address does not match Bootloader assumption	
		0x000C WrongChip Parameter address does not match Bootloader assumption	
		0x000D InvalidBufferCrc CRC of the page buffer is invalid, (message FwUpdateFlashBuffer)	
		0x000E DataTooLong Data too long, FwUpdateToBuffer exceeds buffer size	
		0x000F SessionInitFailed Failed to initialize session (message FwUpdateStart)	
		0x0010 VerifyOK Verify OK (message: FwUpdateVerify)	
		0x0011 UnpermittedOperation Unpermitted operation over the current page MsgIdFwUpdateFlashBuffer on FwInfo Page	
		These error codes are sent by the Library:	
		0x014 WrongParameterValue Value of the Argument/Parameter of a RuntimeParameter command is out of the valid range (message: Request_Message and Set_Runtime_Parameter)	
		0x0015 UnknownParameterID MsgId or RuntimeParameterId is unknown or out of the valid range (message: Request_Message and Set_Runtime_Parameter)	
		0x01A WakeupHappened A wake-up by Host was detected	
		These error codes are sent by the Library Loader Updater:	
		0x080 LoaderUpdateStarted Bootloader update started	
		0x081 LoaderUpdateFinished Bootloader Update Finished	
		0x082 LoaderUpdateFailed Bootloader update failed	
0x08F CommandTooShort Command too short			
0x090 BadChecksum I ² C checksum error			
0x091 BadAppChecksum App checksum error			
0x092 FlashPageNotEmptyAfterErase Flash page not empty after erase			
0x093 FlashPageMismatchAfterWrite Flash page mismatch after write			
0x094 FlashEraseRangesNotSupported Flash erase ranges not supported			
Reserved1	2	Reserved for future use	
Flags	1	Copy of the flags field from the header of the last received message	
SeqCtr	1	Copy of the sequence counter field from the header of the last received message	
Reserved2	4	Reserved for future use	

4.3 REQUEST_MESSAGE

`Request_Message` forces GestIC Library to reply to the message with the requested ID.
Direction: Host to MGC3140

TABLE 4-4: MESSAGE OVERVIEW

Header				Payload		
Msg. Size	Flags	Seq.	ID	MessageID	Reserved	Param.
1 Byte	1 Byte	1 Byte	1 Byte	1 Byte	3 Bytes	4 Bytes
0x0C	n/a	n/a	0x06	Refer to Table 4-5		

TABLE 4-5: PAYLOAD ELEMENTS

Element	Size (bytes)	Description
MessageID	1	Request the Message with ID, <code>MessageID</code> , from GestIC Library. GestIC Library will answer with the requested message or stay silent. Structure: Single-byte read as a hexadecimal value Range: (0x00..0xFF)
Reserved	3	Reserved, write as '0'.
Param.	4	Optional, parameter can be used to specify the kind of return. Example: Requesting message <code>SetRuntimeParameter</code> , <code>Param.</code> specifies the <code>RuntimeParameterId</code> to read back the parameter. Structure: 32-bit Word, containing dedicated values or bit fields. Range: (0x00000000..0xFFFFFFFF)

- Note 1:** The `Request_Message` command can only be used with `MessageID` 0x83 and 0xA2.
- 2:** The `TransFreqSelect` run-time parameter is a write-only parameter and could not be requested with message `Request_Message`.
- 3:** For examples of the `Request_Message` command, refer to [Table A-1](#).

4.4 FW_VERSION_INFO

The `FirmwareVersion` message contains detailed version information for MGC3140 bootloader, firmware and parametrization. The message format has been changed compared to MGC3x30 variants.

Direction: MGC3140 to Host.

TABLE 4-6: MESSAGE OVERVIEW

Header				Payload										
Msg. Size	Flags	Seq.	ID	FwValid	HwRev	ParameterPage	LibraryLoaderVersion	BootloaderMinor	BootloaderMajor	ChipId	FirmwareStartPage	VersionString	CustomString	NewStructIndicator
1 Byte	1 Byte	1 Byte	1 Byte	1 Byte	2 Bytes	1 Byte	2 Bytes	1 Byte	1 Byte	1 Byte	1 Byte	9 Bytes	16 Bytes	3 Bytes
0x84	n/a	n/a	0x83	Refer to Table 4-7										

Payload														
FwInfoMajor	FwInfoMinor	FwMajor	FwMinor	FwRev	Padding0	CommitDistance	RcFwType	RcFwFlags	RcFwGitHash	RcDspType	RcDspPad0	RcDspRevision	RcDspPad1	BiEpoch
1 Byte	1 Byte	1 Byte	1 Byte	1 Byte	1 Byte	2 Bytes	1 Byte	1 Byte	14 Bytes	1 Byte	2 Bytes	4 Bytes	8 Bytes	4 Bytes
Refer to Table 4-7														

Payload								
BiFlags	BiUserId	BiPadding	SysClkHz	IdDspId	IdParameterId	IdApplicationId	PadToBootInfo	Reserved
1 Byte	1 Byte	2 Bytes	2 Bytes	2 Bytes	2 Bytes	2 Bytes	12 Bytes	20 Bytes
Refer to Table 4-7								

GestIC[®] Library Message Reference

TABLE 4-7: PAYLOAD ELEMENTS

Element	Size (bytes)	Description												
FwValid	1	This field indicates if the firmware in flash is valid or somehow corrupted. All values different from the defined should be treated as invalid. Possible values: <table style="width: 100%; border-collapse: collapse;"> <tr> <td style="width: 10%;">0x00</td> <td style="width: 20%;">Empty0</td> <td>No complete firmware image on the device</td> </tr> <tr> <td>0x0A</td> <td>InvalidFw</td> <td>Firmware on chip is invalid. Indicates a started update that has been interrupted</td> </tr> <tr> <td>0xAA</td> <td>ValidFw</td> <td>A valid complete image is stored in the device flash</td> </tr> <tr> <td>0xFF</td> <td>Empty1</td> <td>No complete firmware image on device</td> </tr> </table>	0x00	Empty0	No complete firmware image on the device	0x0A	InvalidFw	Firmware on chip is invalid. Indicates a started update that has been interrupted	0xAA	ValidFw	A valid complete image is stored in the device flash	0xFF	Empty1	No complete firmware image on device
0x00	Empty0	No complete firmware image on the device												
0x0A	InvalidFw	Firmware on chip is invalid. Indicates a started update that has been interrupted												
0xAA	ValidFw	A valid complete image is stored in the device flash												
0xFF	Empty1	No complete firmware image on device												
HwRev	2	Hardware revision												
ParameterPage	1	First flash page of the parameter section												
BootloaderMinor	1	Bootloader version, minor digit												
BootloaderMajor	1	Bootloader version, major digit												
ChipId	1	Identifies the device on which this firmware runs Possible values: <table style="width: 100%; border-collapse: collapse;"> <tr> <td style="width: 10%;">0x14</td> <td style="width: 20%;">Sabrewing</td> <td>Device is a 3130 (Sabrewing V1.0 variant)</td> </tr> <tr> <td>0x15</td> <td>Hillstar</td> <td>Device is a 3130 (Hillstar variant)</td> </tr> <tr> <td>0x32</td> <td>Woodstar</td> <td>Device is a 3030 (Woodstar variant)</td> </tr> <tr> <td>0x41</td> <td>3140</td> <td>Device is a 3140 (Emerald variant)</td> </tr> </table>	0x14	Sabrewing	Device is a 3130 (Sabrewing V1.0 variant)	0x15	Hillstar	Device is a 3130 (Hillstar variant)	0x32	Woodstar	Device is a 3030 (Woodstar variant)	0x41	3140	Device is a 3140 (Emerald variant)
0x14	Sabrewing	Device is a 3130 (Sabrewing V1.0 variant)												
0x15	Hillstar	Device is a 3130 (Hillstar variant)												
0x32	Woodstar	Device is a 3030 (Woodstar variant)												
0x41	3140	Device is a 3140 (Emerald variant)												
FirmwareStartPage	1	Page containing the firmware entry point												
VersionString	9	Version in format 'major.minor.rev' as string, filled with ';' until the 9 characters are full												
CustomString	16	16 characters for customer usage. if the string is shorter than 16 characters it must be filled with spaces. Entries defined by Microchip start with 'MCHP:'												
NewStructIndicator	3	Contains the three character sequence '{', '!', '\0' which is used to indicate that the firmware version info conforms to the format described here												
FwInfoMajor	1	Major version of this FirmwareVersion message structure. To confirm with this description it must be '1'.												
FwInfoMinor	1	Minor version of this FirmwareVersion message structure. To confirm with this description it must be '0'.												
FwMajor	1	8-bit integer containing the 'major' field of firmware version (firmware version is in format 'major.minor.rev')												
FwMinor	1	8-bit integer containing the 'minor' field of firmware version (firmware version is in format 'major.minor.rev')												
FwRev	1	8-bit integer containing the 'Rev' field of firmware version (firmware version is in format 'major.minor.rev')												
Padding0	1	Reserved field, used to align the following field properly												
CommitDistance	2	Internal version information, describes how many commits we are away from the last set version tag in the VCS												
RcFwType	1	It must be '2' as 3140 sources use 'Git'												
RcFwFlags	1	Revision control info for firmware: 'Flags' field. Bit 0 indicates that the sources were modified when compiling; Bit 1 indicates that the compile was from multiple mixed revisions												
RcFwGitHash	14	Revision control info for firmware: First 14 bytes of git hash for firmware												
RcDspType	1	It must be '1' as DSP sources use SVN												
RcDspFlags	1	Revision control info for DSP: 'Flags' field. Bit 0 indicates that the sources were modified when compiling; Bit 1 indicates that the compile was from multiple mixed revisions												

GestIC[®] Library Message Reference

TABLE 4-7: PAYLOAD ELEMENTS (CONTINUED)

Element	Size (bytes)	Description
RcDspPad0	2	Revision control info for DSP: Padding to align next field containing the SVN revision
RcDspRevision	4	Revision control info for DSP: Revision number from SVN
RcDspPad1	8	Revision control info for DSP: Another 8 bytes of padding to fill generic revision info structure
BiEpoch	4	BuildInfo: Build time UTC in 'epoch' format
BiFlags	1	BuildInfo: Flags, if Bit 0 is set the user who builds the file is known and the 'UserId BuildInfo' field contains a valid value
BiUserId	1	BuildInfo: Numeric ID identifying the user who build this firmware
BiPadding	2	BuildInfo: Pad build info length to 8 bytes. Reserved for future use
SysClkHz	4	System clock in Hz
IdDspId	2	ID: DSP id field (900x = MGC3130, 910x = MGC3030, 45 = Sabrewing, 440x = MGC3140)
IdParameterId	2	ID: Parameter Id can be used to identify different parameterizations
IdApplicationId	2	ID: Application Id can be used to differentiate different applications. Currently only '0' (regular FW) and '1' (bootloader updater) are defined
IdAppDetail	2	ID: 'appDetail' is currently a reserved field for future use. Must be '0'
PadToBootInfo	12	Currently reserved bytes, used to pad until start of 'BootInfo' information
Reserved	20	Reserved for future use

4.5 SET_RUNTIME_PARAMETER

This message is used to set run-time parameters within the GestIC Library. It supports parameters for AFE parameterization, feature Configuration, and sensor data output. A special value is defined for a persistent saving of parameters to the Flash memory. Parameters which can be made persistent are grouped into three categories:

- **Analog Front-End (AFE) Category**
- **Digital Signal Processing (DSP) Category**
- **System Category**

Direction: Host to MGC3140

TABLE 4-8: MESSAGE OVERVIEW

Header				Payload			
Msg. Size	Flags	Seq.	ID	RuntimeParameterID	Reserved	Argument0	Argument1
1 Byte	1 Byte	1 Byte	1 Byte	2 Bytes	2 Bytes	4 Bytes	4 Bytes
0x10	n/a	n/a	0xA2	see description below			

TABLE 4-9: PAYLOAD ELEMENTS

Element	Element Size (bytes)	Description
RuntimeParameterID	2	ID of runtime parameter. Refer to Section 4.5.1 “Trigger” through Section 4.5.5.5 “Data Output Lock Mask” . Structure: 16-bit Word interpreted as hex value Range: (0x0000..0xFFFF)
Reserved	2	Write as '0'
Argument0	4	Argument values, depending on runtime parameter ID. If not used, Argument0 should be provided as '0'. Structure: 32-bit Word: Argument0 Range: depends on run-time parameter
Argument1	4	Argument values, depending on run-time parameter ID. If not used, Argument1 should be provided as '0'. Structure: 32-bit Word: Argument1. Range: depends on runtime parameter.

4.5.1 Trigger

This parameter forces a trigger defined in `Argument0`.

<code>RuntimeParameterID</code>	<code>0x1000</code>	<code>Trigger</code> : Parameter forces a trigger
<code>Argument0</code>	<code>0x00000000</code> : Force re-calibration	
	<code>0x00000002</code> : Enter Deep Sleep 1: The wake-up sources from Deep Sleep 1 are I ² C0 Start bit detection or MCLR Reset. The system will resume from Deep Sleep on any I ² C messages sent on the bus, and the first I ² C message will be lost.	
		Range: (0x00000000, 0x00000002)
<code>Argument1</code>	Not used	

4.5.2 Make Persistent

Use this ID to make the parameter set defined in `Argument0` persistent (store to Flash memory).

<code>RuntimeParameterID</code>	<code>0xFF00</code>	<code>MakePersistent</code> : Stores parameter in flash
<code>Argument0</code>	<code>0x00000000</code> : Store RTPs for AFE Category	
	<code>0x00000001</code> : Store RTPs for DSP Category	
	<code>0x00000002</code> : Store RTPs for System Category	
		Range: (0x00000000, 0x00000001, 00000002)
<code>Argument1</code>	Not used	

4.5.3 Analog Front-End (AFE) Category

4.5.3.1 ELECTRODE MAPPING

This electrode mapping represents the physical channel number assigned to the electrodes. These parameters represent the physical connection of the electrodes to MGC3140 Rx channels. For the correct function, the mapping has to be looked up in the circuitry design.

RuntimeParameterID	0x65	Channelmapping_S	Physical channel assigned to the South Electrode
	0x66	Channelmapping_W	Physical channel assigned to the West Electrode
	0x67	Channelmapping_N	Physical channel assigned to the North Electrode
	0x68	Channelmapping_E	Physical channel assigned to the East Electrode
	0x69	Channelmapping_C	Physical channel assigned to the Center Electrode
Argument0			Contains the number of physical receive channels (Rx0, Rx1, Rx2, Rx3, Rx4) Range: (0x00000000, 0x00000001, 0x00000002, 0x00000003, 0x00000004)
Argument1			Not used

4.5.4 Digital Signal Processing (DSP) Category

4.5.4.1 TRANSMIT FREQUENCY SELECTION

This sets the total number of transmitter frequencies used, and the order in which they are tested for the frequency hopping.

RuntimeParameterID 0x82	TransFreqSelect: Parameter to set the frequency IDs used
Argument0	Total number of used Tx frequencies. This parameter can be 1, 2, 3, 4 or 5.
Argument1	This determines in what order the transmitter frequencies are tested. The indexes numbered 0 to 4 represent respective transmitter frequencies: <ul style="list-style-type: none">- Frequency ID 0 corresponds to 45 kHz- Frequency ID 1 corresponds to 44 kHz- Frequency ID 2 corresponds to 43 kHz- Frequency ID 3 corresponds to 42 kHz- Frequency ID 4 corresponds to 100 kHz These indexes have to be provided in nibbles.
Example:	e.g., Argument0 = 0x04 in combination with Argument1 = 0x3104 means that frequencies with the index 4, 0, 1 and 3 are used and tested in this specific order. e.g., Index – Default Frequency Mapping (Argument 0 = 0x5,Argument 1 = 0x43210) Frequency ID 0 – Transmitter Frequency: 45 kHz Frequency ID 1 – Transmitter Frequency: 44 kHz Frequency ID 2 – Transmitter Frequency: 43 kHz Frequency ID 3 – Transmitter Frequency: 42 kHz Frequency ID 4 – Transmitter Frequency: 100 kHz

Note: The `TransFreqSelect` run-time parameter is a write-only parameter and could not be requested with `REQUEST_MESSAGE (0x06)` message.

4.5.4.2 TOUCH DETECTION

This parameter enables/disables Touch Detection.

RuntimeParameterID 0x97 dspTouchConfig: Parameter to enable/disable Touch Detection

Argument0 Set Argument0 to '0x08' to enable Touch Detection
Set Argument0 to '0x00' to disable Touch Detection

Note: If Argument1 is not set correctly, the system will show malfunctions.

Argument1 0x08

4.5.4.3 APPROACH DETECTION

This parameter enables/disables Approach Detection mode.

RuntimeParameterID 0x97 dspApproachDetectionMode: Parameter to enable/ disable Approach Detection Mode

Argument0 Set Argument0 to 0x01 to enable Approach Detection
Set Argument0 to 0x00 to disable Approach Detection

Note: If Argument1 is not set correctly, the system will show malfunctions.

Argument1 0x01

4.5.5 System Category

4.5.5.1 AIRWHEEL

This parameter enables/disables AirWheel.

RuntimeParameterID 0x90 dspAirWheelConfig: Parameter to enable/disable AirWheel

Argument0 Set Argument0 to '0x20' to enable AirWheel
Set Argument0 to '0x00' to disable AirWheel

Note: If Argument1 is not set correctly, the system will show malfunctions.

Argument1 0x20

4.5.5.2 GESTURE PROCESSING (HMM)

This parameter enables the in-built gestures. Disabling one gesture will increase the recognition probability of the others.

If a bit in Argument0 is set to '1', the respective Gesture will be enabled. If a bit in Argument0 is set to '0', the respective Gesture will be disabled.

RuntimeParameterID 0x85 dspGestureMask: Parameter to enable/disable gestures

Argument0 Bit 0: Garbage model
Bit 1: Flick West to East
Bit 2: Flick East to West
Bit 3: Flick South to North
Bit 4: Flick North to South
Bit 5: Circle clockwise
Bit 6: Circle counterclockwise
Bit 7: Reserved
Bit 8: Reserved
Bit 22: Hold gesture
Bit 23: Presence gesture
Bit 24: Edge Flick West to East
Bit 25: Edge Flick East to West
Bit 26: Edge Flick South to North
Bit 27: Edge Flick North to South
Bit 28: Double Flick West to East
Bit 29: Double Flick East to West
Bit 30: Double Flick South to North
Bit 31: Double Flick North to South

Argument1 Acts as a mask, set appropriate bits to '1' to change the flag.
All other flags remain unchanged.

4.5.5.3 CALIBRATION OPERATION MODE

This parameter enables/disables the selected auto-calibration feature.

If a bit in `Argument0` is set to '0', the respective auto-calibration feature will be enabled.

If a bit in `Argument0` is set to '1' the respective auto-calibration feature will be disabled.

<code>RuntimeParameterID</code>	<code>0x80</code>	<code>dspCalOpMode</code> : Parameter to enable/disable auto-calibration
<code>Argument0</code>		Bit 1: Enable/disable gesture-triggered calibration Bit 2: Enable/disable negative calibration Bit 3: Enable/disable idle calibration Bit 4: Enable/disable invalidity value calibration, if values are completely out of range Bit 5: Enable/disable calibration triggered by AFA
<code>Argument1</code>		Acts as a mask, set appropriate bits to '1' to change the flag. All other flags remain unchanged.

4.5.5.4 DATA OUTPUT ENABLE MASK

This parameter determines the data output of the message `Sensor_Data_Output (0x91)`. If a bit in `Argument0` is set to '1', the respective payload element will be part of the message `Sensor_Data_Output (0x91)`. If a bit in `Argument0` is set to '0', the payload element will not be part of the message `Sensor_Data_Output (0x91)` when the data is updated (payload element is 'Off').

Use `DataOutputEnableMask` to optimize the sensor data output in terms of I²C utilization and efficiency of the host code.

Note: enabling all payload elements might lead to malfunctions due to bandwidth limitations on the I²C bus.

<code>RuntimeParameterID 0xA0</code>	<code>DataOutputEnableMask</code> : Parameter determining the data output
<code>Argument0</code>	Bits 0...12: Payload elements: If set to '1', payload elements will be part of the message <ul style="list-style-type: none">Bit 0: DSP StatusBit 1: Gesture DataBit 2: TouchInfoBit 3: AirWheelInfoBit 4: xyzPositionBit 5: Noise PowerBit 6...10: These bits are reserved and must be set to '0'Bit 11: CICData (Uncalibrated Signal)Bit 12: SDData (Signal Deviation) Bits 13...15: These bits are reserved and must be set to '0'
	Bits 16...17: SystemInfo Status bits: If set to '1', the reporting of a state change in the payload element SystemInfo is enabled <ul style="list-style-type: none">Bit 16: EnvironmentalNoise indicationBit 17: Clipping indication⁽¹⁾
	Bit 18: DSP running
	Bits 19: AirWheelCounterDecimation: If set to '1', the AirWheel counter is decimated by the factor of 4
	Bit 20: TimeStampOverflow: This applies when AirWheel or Touch Detection is ongoing. If activated, a message will be sent when the counter in the payload element TimeStamp is overflowing (TimeStamp=0)
	Bits 21...26: These bits are reserved
	Bits 27...31: GesturesInfo Status bits: If set to '1', the reporting of a state change in the payload element GestureInfo is enabled. <ul style="list-style-type: none">Bit 27: HandPresence flagBit 28: HandHold flagBit 29: HandInside flag
	Bit 30: This bit is reserved
	Bit 31: GestureInProgress flag
<code>Argument1</code>	Acts as a mask, set appropriate bits to '1' to change the flag. All other flags remain unchanged.

Note 1: Clipping indication is not supported by MGC3140. Message is kept for compliance with MGC3x30

4.5.5.5 DATA OUTPUT LOCK MASK

This parameter determines the data output of the `Sensor_Data_Output` (0x91) message. If a bit in `Argument0` is set to '1', the respective payload element will be part of the `Sensor_Data_Output` (0x91) message, no matter whether there is new data or not (payload element is 'On').

If a bit in `Argument0` is set to '0', the payload element will only be part of the message `Sensor_Data_Output` (0x91) when the data is updated (payload element is 'Dynamic').

<code>RuntimeParameterID</code>	0xA1	<code>DataOutputLockMask</code> : Parameter determining the data output
<code>Argument0</code>		Bits 0...12: Payload elements: If set to '1', payload elements will be part of the message Bit 0: DSP Status Bit 1: Gesture Data Bit 2: TouchInfo Bit 3: AirWheelInfo Bit 4: xyzPosition Bit 5: Noise Power Bit 6...10: These bits are reserved and must be set to '0'. Bit 11: CICData (Uncalibrated Signal) Bit 12: SDData (Signal Deviation) Bits 13...15: These bits are reserved and must be set to '0'
<code>Argument1</code>		Acts as a mask, set appropriate bits to '1' to change the flag. All other flags remain unchanged.

4.5.5.6 DATA OUTPUT REQUEST MASK

This parameter determines the data output only of the next message `Sensor_Data_Output (0x91)`. If a bit in `Argument0` is set to '1', the respective payload element will be part of the next message `Sensor_Data_Output (0x91)`.

If a bit in `Argument0` is set to '0', the payload element will not be part of the next message `Sensor_Data_Output (0x91)` when the data is updated.

This will force the MGC3140 to send a new message `Sensor_Data_Output (0x91)` even if there were no valid events and data. This message will contain data according to the `Argument0` selection. Then the `Sensor_Data_Output (0x91)` will be sent according to the Data Output Enable and Lock masks only on valid events and data.

<code>RuntimeParameterID</code>	<code>0xA2</code>	<code>DataOutputRequestMask</code> : Parameter determining the next data output
<code>Argument0</code>	Bits 0...12: Payload elements: If set to '1', payload elements will be part of the message Bit 0: DSP Status Bit 1: Gesture Data Bit 2: TouchInfo Bit 3: AirWheelInfo Bit 4: xyzPosition Bit 5: Noise Power Bit 6...10: These bits are reserved and must be set to '0'. Bit 11: CICData (Uncalibrated Signal) Bit 12: SDData (Signal Deviation) Bits 13...15: These bits are reserved and must be set to '0'	
<code>Argument1</code>	Acts as a mask, set appropriate bits to '1' to change the flag. All other flags remain unchanged.	

Note: For instances of the `Set_Runtime_Parameter` command examples, refer to [Table A-2](#).

GestIC[®] Library Message Reference

4.6 SENSOR_DATA_OUTPUT

This message contains the sensor data output of the MGC3140. The content of the message can be configured via bit mask (refer to `DataOutputEnableMask` and `DataOutputLockMask` in [Section 4.5 “Set_Runtime_Parameter”](#)).

The elements `DataOutputConfigMask`, `TimeStamp`, and `SystemInfo` are always part of the message. The inclusion of further payload elements depends on the Configuration, and the actual Configuration can be read from the payload element. `DataOutputConfigMask`.

Direction: MGC3140 to Host

TABLE 4-10: MESSAGE OVERVIEW

Header				Payload			
Size	Flags	Seq.	ID	<code>DataOutputConfigMask</code>	<code>TimeStamp</code>	<code>SystemInfo</code>	Variable depending on <code>DataOutputConfigMask</code>
1 Byte	1 Byte	1 Byte	1 Byte	2 Bytes	1 Byte	1 Byte	Variable depending on <code>DataOutputConfigMask</code>
variable	n/a	n/a	0x91	see description below			

TABLE 4-11: PAYLOAD ELEMENTS

Element	Element size (bytes)	Description
<code>DataOutputConfigMask</code>	2	<p>Bit mask indicating which data is part of the message. The following bits are used:</p> <ul style="list-style-type: none"> Bit 0: <code>DSPStatus</code> field. Bit 1: <code>GestureInfo</code> field. Bit 2: <code>TouchInfo</code> field. Bit 3: <code>AirWheelInfo</code> field. Bit 4: <code>xyzPosition</code> field. Bit 5: <code>NoisePower</code> field. Bit 6...10: These bits are reserved. Bit 11: <code>CICData</code> field. Bit 12: <code>SDData</code> field. Bit 13...15: These bits are reserved. <p>Structure: 16-bit Word read as a bit mask Range: (0x0000..0xFFFF)</p>
<code>TimeStamp</code>	1	<p>8-Bit Counter of 200 Hz (Sample Interval) 200 Hz counter value wraps-around after 256 ticks. This indicates when an event has taken place and allows measuring the elapsed time between two events, as long as it is below approximately 1.25 seconds.</p> <p>Structure: 8-bit Word read as decimal value. Range: (0x00..0xFF)</p>

GestIC[®] Library Message Reference

TABLE 4-11: PAYLOAD ELEMENTS (CONTINUED)

Element	Element size (bytes)	Description
SystemInfo	1	<p>Bit mask indicating if the respective sensor data is valid. In an application, the sensor data output should only be further processed if the respective bits are set to '1'.</p> <p>The following bits are used:</p> <ul style="list-style-type: none"> Bit 0: PositionValid, if set indicates that the position in the xyzPosition field is valid. Bit 1: AirWheelValid, if set indicates that the AirWheel is active and the data in the AirWheelInfo field is valid. Bit 2: RawDataValid, if set indicates that the data of the CICData and SDData fields are valid; otherwise those fields must be ignored. Bit 3: NoisePowerValid, if set indicates that the NoisePower field is valid. Bit 4: EnvironmentalNoise, if set indicates that environmental noise has been detected. Bit 5: Clipping, if set indicates that the ADCs are clipping.⁽¹⁾ Bit 6: This bit is reserved. Bit 7: DSPRunning, if set indicates that the system is currently running. If not set, the system is about to go to Sleep. <p>Structure: 8-bit Word read as a bit mask Range: (0x00..0xFF) Note: Position Data is disabled from the sensor data output and AirWheel is enabled: Position Valid will be set and sent with SystemInfo and a new message will be sent when AirWheel detection starts.</p>
DSPStatus	2	<p>This element consists of two bytes. The first byte contains information about Calibration events. The second byte indicates the Tx frequency currently used.</p> <ul style="list-style-type: none"> Bit 0: This bit is reserved. Bit 1: CalibrationInfo: Forced Calibration (by Host) Bit 2: This bit is reserved. Bit 3: CalibrationInfo: Gesture triggered Bit 4: CalibrationInfo: Negative value Bit 5: CalibrationInfo: Idle Calibration Bit 6: CalibrationInfo: Invalid value Calibration Bit 7: CalibrationInfo: Calibration triggered by AFA Bits 8...15: Tx Frequency in kHz as decimal value (42..100) <p>Structure: 2 bytes; first byte is read as a bit mask while second as decimal Range: (0x00..0xFF; 44..115)</p>
<p>Note 1: Clipping indication is not supported by MGC3140. Message is kept for compliance with MGC3x30</p>		

GestIC[®] Library Message Reference

TABLE 4-11: PAYLOAD ELEMENTS (CONTINUED)

Element	Element size (bytes)	Description
GestureInfo	4	<p>This field contains the 32-bit gesture information Word.</p> <p>Recognized Gestures: The recognized gestures are results of the HMM classification. Edge detection can be used to further classify where the gesture has been done (Edge Flicks). Furthermore, gesture attributes give information about the direction of the flick. The gesture information is given as a bit field and can be decoded as follows:</p> <ul style="list-style-type: none"> Bits 0...7: Recognized gesture as decimal number <ul style="list-style-type: none"> 0: No gesture 1: Garbage model 2: Flick West to East 3: Flick East to West 4: Flick South to North 5: Flick North to South 6: Circle clockwise (only active if AirWheel disabled) 7: Circle counterclockwise (only active if AirWheel disabled) 8: Reserved 9: Reserved 64: Hold 73: Presence 65: Edge Flick West to East 66: Edge Flick East to West 67: Edge Flick South to North 68: Edge Flick North to South 69: Double Flick West to East 70: Double Flick East to West 71: Double Flick South to North 72: Double Flick North to South Bits 8...11: These bits must not be interpreted. Bits 12...15: Gesture Class read as a decimal number <ul style="list-style-type: none"> 0: Garbage model 1: Flick gesture 2: Circular gesture Bit 16: Edge flick – is '1' if flick gesture is classified as edge flick Bits 17...26: These bits are reserved. Bit 27: HandPresence flag: Is '1' while the user's hand is within the sensing space. Bit 28: HandHold flag: Is '1' while the hand is not moving. Further dependencies can be adjusted inside Aurea Parametrization. Bit 29: HandInside flag: Is '1' while the user's hand is approximately above the sensor. Bit 30: This bit is reserved. Bit 31: Gesture recognition in progress. This bit is set when the Gesture Recognizer is active and Reset when the gesture is recognized and the Recognizer is Off. <p>Structure: 32-bit Word read as a bit mask Range: (0x00000000..0xFFFFFFFF)</p>

GestIC[®] Library Message Reference

TABLE 4-11: PAYLOAD ELEMENTS (CONTINUED)

Element	Element size (bytes)	Description
TouchInfo	4	<p>Contains touch information</p> <p>The following bits are used to indicate a touch event on the respective electrodes:</p> <ul style="list-style-type: none"> Bit 0: Touch South electrode Bit 1: Touch West electrode Bit 2: Touch North electrode Bit 3: Touch East electrode Bit 4: Touch Center electrode Bit 5: Tap South electrode Bit 6: Tap West electrode Bit 7: Tap North electrode Bit 8: Tap East electrode Bit 9: Tap Center electrode Bit 10: Double Tap South electrode Bit 11: Double Tap West electrode Bit 12: Double Tap North electrode Bit 13: Double Tap East electrode Bit 14: Double Tap Center electrode Bit 15: This bit is reserved. <p>Bits 16...23: Touch Counter: 8-bit counter; this counter determines the period between the time when the hand starts moving to touch until it is detected. This period is equal to [Touch Counter Value] x 5 (ms). The counter starts counting when the minimum approach speed required to detect a touch event is exceeded, until the touch is detected. After each touch detection, the counter is reset.</p> <p>Bits 24...31: These bits are reserved.</p> <p>Structure: 32-bit Word read as a bit mask Range: (0x00000000..0xFFFFFFFF)</p>
AirWheelInfo	2	<p>The first byte contains a counter which indicates how far the AirWheel rotation has progressed.</p> <ul style="list-style-type: none"> Bits 0...4: Value represents the current angular position with a resolution of 32 counts for a full revolution. Bits 5...7: Counts of full rotations. <p>Each time the angular position crosses '0', a full revolution is counted. If the users hand is moving in clockwise direction the counter is increased. For counterclockwise movements, the counter is decreased. AirWheelInfo is only valid if the AirWheelValid bit in the element SystemInfo is '1'. The second byte is reserved.</p> <p>Structure: Vector of two 8-bit Words read as a decimal value Range: (0x0000..0x00FF)</p>

GestIC[®] Library Message Reference

TABLE 4-11: PAYLOAD ELEMENTS (CONTINUED)

Element	Element size (bytes)	Description
xyzPosition	6	<p>This element contains x, y and z position data. Two bytes are used for each of the positions x, y and z.</p> <p>Bytes 1 and 2:x position Bytes 3 and 4:y position Bytes 5 and 6:z position</p> <p>The position information is only valid if the <code>PositionValid</code> bit in the element <code>SystemInfo</code> is '1'.</p> <p>The data give the position of the user's hand in the Cartesian coordinate system. Position data of [0, 0, 0] represent the origin of the coordinate system and data of [65535, 65535, 65535] are the maximum dimension of the sensing space. The origin is defined as the lower left corner of the sensitive space (South-West) at the surface of the system.</p> <p>Structure: Vector of three 16-bit Words read as decimal value for each position x, y, z Range: (0x0000..0xFFFF) for each position x, y, z</p>
NoisePower	4	<p>Noise Power of the GestIC system.</p> <p>NoisePower is only valid if the <code>NoisePowerValid</code> bit in the element <code>SystemInfo</code> is '1'.</p> <p>Structure: 32-bit Word read as a float value Range: (0..3.402823e+38)</p>
CICData	20	<p>Uncalibrated Sensor Data (CIC Data)</p> <p>Structure: Vector of five, 32-bit Words interpreted as float values in format. An offset of 32000 needs to be added to each channel. xxxx.xxxx.xxxx.xxxx.xxxx (South.West.North.East.Center) Range: (-3.402823e+38..3.402823e+38) for each channel</p>
SDData	20	<p>Signal Deviation (SD)</p> <p>SDData are only valid if the <code>RawDataValid</code> bit in the element <code>SystemInfo</code> is '1'.</p> <p>Structure: Vector of five, 32-bit Words interpreted as float values in xxxx.xxxx.xxxx.xxxx.xxxx (South.West.North.East.Center) format Range: (-3.402823e+38..3.402823e+38) for each channel</p>
Reserved	—	Reserved: Additional payload elements can be added in the future or for debug purposes.

Note: For the examples list of the `Sensor_Data_Output` command, refer to [Table A-3](#).

Chapter 5. Messages for GestIC[®] Library Update

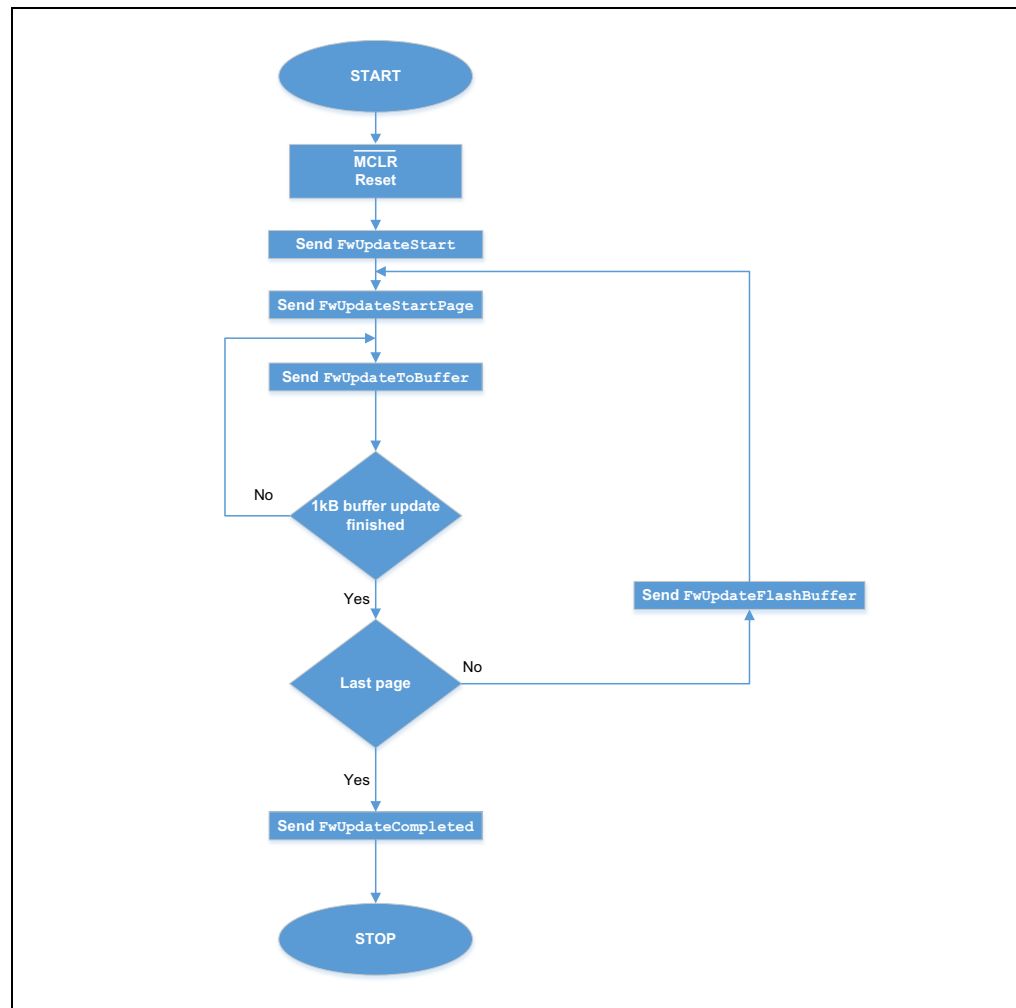
5.1 LIBRARY LOADER UPDATE PROCEDURE

The general library update process is shown in [Figure 5-1](#). Note that only libraries provided by Microchip Technology can be updated on the MGC3140. Furthermore, an application note which describes the library update process in detail can be supplied by Microchip on request.

For the library update process, three different messages are required:

- FwUpdateStart
- FwUpdateStartPage
- FwUpdateToBuffer
- FwUpdateFlashBuffer
- FwUpdateVerify
- FwUpdateCompleted

FIGURE 5-1: LIBRARY UPDATE FLOWCHART



Messages for GestIC[®] Library Update

5.2 FwUpdateStart

This message starts the update session of the MGC3140 device.

Direction: Host to MGC3140

TABLE 5-1: MESSAGE OVERVIEW

Header				Payload					
Msg. Size	Flags	Seq.	ID	Crc	SessionId	FlashKey	UpdateFunction	ErasePageStart	ErasePageEnd
1 Byte	1 Byte	1 Byte	1 Byte	4 Bytes	4 Bytes	8 Bytes	1 Byte	1 Byte	1 Byte
0x17	0x00	n/a	0x70	see description below					

TABLE 5-2: PAYLOAD ELEMENTS

Field	Size (in bytes)	Description
Crc	4	CRC is calculated across the following fields: SessionId, FlashKey, UpdateFunction, ErasePageStart and ErasePageEnd. The same CRC calculation algorithm is used in 2140 bootlader, 3140 firmware and message generation script. The CRC32 calculation routine is available in 'fw_update_msg_generator.py'.
SessionId	4	The SessionId is a random number generated by the Host, to be sent via FwUpdateStart message, and resent via fwUpdateCompleted message.
FlashKey	8	FlashKey is represented by two 32-bit numbers that are used to unlock the Flash memory for performing flash operations. They have fixed values: 0xAA996655 0x556699AA
UpdateFunction	1	The UpdateFunction is used here in ProgramFlash. The valid values are: <pre> ProgramFlash = 0, // ProgramFlash VerifyOnly = 1, // VerifyOnly WaitForHostCommand = 2, // Wait for a host command Restart = 3, // Do a restart with Reset FwStart = 4, // Start FW (currently not used) </pre>
ErasePageStart	1	ErasePageStart is the number of the page from which the Flash memory will be erased. If a page belonging to the bootlader is specified, the first page after the bootlader code will be used as a start page.
ErasePageEnd	1	ErasePageEnd specifies the page number up to which to erase the Flash memory, not including that page. There are 128 pages of program Flash. The last page (number 127 since the counting starts from 0) contains the firmware info and it is erased first. If a number larger than 127 is specified, the Flash memory will be erased till the end and no error will be returned.

Note: Currently ErasePageStart and ErasePageEnd must be '0' due to an issue with the flash in the bootlader

5.3 FwUpdateStartPage

This message stores the page number in an interval runtime variable, and initializes a 1k buffer with 0xFF.

Direction: Host to MGC3140

TABLE 5-3: MESSAGE OVERVIEW

Header				Payload	
Msg. Size	Flags	Seq.	ID	Crc	PageNumber
1 Byte	1 Byte	1 Byte	1 Byte	4 Bytes	1 Byte
0x09	0x00	n/a	0x71	see description below	

TABLE 5-4: PAYLOAD ELEMENTS

Field	Size (bytes)	Description
Crc	4	CRC is calculated only for PageNumber
PageNumber	1	PageNumber is the number of the page which is to be written to by FwUpdateFlashBuffer message

5.4 FwUpdateToBuffer

This message will copy the contents of Payload to the 1k buffer at Offset. The host must make sure that it does not write beyond the end of the 1k buffer. If the offset plus the length of data would go beyond the end of the buffer, a system status message with an error code will be sent by the bootloader, but the content will be written up until the end of the buffer. It takes minimum of eight of these messages to fill the 1k buffer before FwUpdateFlashBuffer message can be sent, but the length of the message can be less than 128 bytes.

Direction: Host to MGC3140

TABLE 5-5: MESSAGE OVERVIEW

Header				Payload		
Msg. Size	Flags	Seq.	ID	Crc	Offset	Payload
1 Byte	1 Byte	1 Byte	1 Byte	4 Bytes	2 Bytes	128 Bytes
0x8A	0x00	n/a	0x72	see description below		

TABLE 5-6: PAYLOAD ELEMENTS

Field	Size (bytes)	Description
Crc	4	CRC is calculated across Offset and Payload only.

Messages for GestIC[®] Library Update

5.5 FwUpdateFlashBuffer

This message should flash the contents of the 1k buffer to flash, but only if the `SessionId` is the same as was used with `FwUpdateStart`, the `PageNumber` is the same as used with the previous `FwUpdateStartPage` and less than the number of the last page, the Buffer CRC is correct for the current contents of the 1k buffer.

Direction: Host to MGC3140

TABLE 5-7: MESSAGE OVERVIEW

Header				Payload					
Msg. Size	Flags	Seq.	ID	Crc	SessionId	BufferCrc	FlashKey	PageNumber	
1 Byte	1 Byte	1 Byte	1 Byte	4 Bytes	4 Bytes	4 Bytes	8 Bytes	1 Byte	
0x19	0x00	n/a	0x73	see description below					

TABLE 5-8: PAYLOAD ELEMENTS

Field	Size (bytes)	Description
Crc	4	CRC is calculated across the following fields: <code>SessionId</code> , <code>BufferCrc</code> , <code>FlashKey</code> and <code>PageNumber</code>
FlashKey	8	FlashKey is represented by two 32-bit numbers: <code>0xAA996655</code> and <code>0x556699AA</code>

5.6 FwUpdateVerify

This message has the same payload as `FwUpdateFlashBuffer`, but will not flash the data. Instead it will just compare it with the flash contents at that page and output a system status message with a `VerifyOk` or a `VerifyFailed` status. If any more pages need to be updated, a `FwUpdateStartPage` is expected and the whole previous procedure repeated for the rest of the pages. Unlike `FwUpdateFlashBuffer`, this message can be used for the last flash page as well.

Direction: Host to MGC3140

TABLE 5-9: MESSAGE OVERVIEW

Header				Payload			
Msg. Size	Flags	Seq.	ID	Crc	SessionId	BufferCrc	PageNumber
1 Byte	1 Byte	1 Byte	1 Byte	4 Bytes	4 Bytes	4 Bytes	1 Byte
0x11	0x00	n/a	0x74	see description below			

TABLE 5-10: PAYLOAD ELEMENTS

Field	Size (bytes)	Description
Crc	4	CRC is calculated across the following fields: <code>SessionId</code> , <code>BufferCrc</code> , and <code>PageNumber</code>

Messages for GestIC[®] Library Update

5.7 FwUpdateCompleted

This message completes the update session of the MGC3140.

Direction: Host to MGC3140

TABLE 5-11: MESSAGE OVERVIEW

Header				Payload				
Msg. Size	Flags	Seq.	ID	Crc	SessionId	UpdateFunction	BufferCrc	FlashKey
1 Byte	1 Byte	1 Byte	1 Byte	4 Bytes	4 Bytes	1 Byte	4 Bytes	8 Bytes
0x18	n/a	n/a	0x77	see description below				

TABLE 5-12: PAYLOAD ELEMENTS

Field	Size (in bytes)	Description
Crc	4	CRC is calculated across the SessionId, UpdateFunction, BufferCRC and FlashKey fields.
SessionId	4	The SessionId is the same random number as used for the FwUpdateStart. 0x00000000 is an invalid SessionId and is used to force the device into a restart.

Appendix A. I²C Command Examples

TABLE A-1: REQUEST MESSAGE COMMAND EXAMPLES

Requested Function		Request Message												Comment		
		Header				Payload										
		Msg. Size	Flags	Seq.	ID	Msg. ID	Reserved			Parameter						
—	FW version (0x83)		0x0C	0x00	0x00	0x06	0x83	0x00	0x00	0x00	0x00	0x00	0x00	0x00	0x00	Fixed command.
Get Runtime Parameters	Electrode Mapping (0x0065, 0x0066, 0x0067, 0x0068, 0x0069)	Channelmapping_S	0x0C	0x00	0x00	0x06	0xA2	0x00	0x00	0x00	0x65	0x00	0x00	0x00	Fixed command.	
		Channelmapping_W	0x0C	0x00	0x00	0x06	0xA2	0x00	0x00	0x00	0x66	0x00	0x00	0x00		
		Channelmapping_N	0x0C	0x00	0x00	0x06	0xA2	0x00	0x00	0x00	0x67	0x00	0x00	0x00		
		Channelmapping_E	0x0C	0x00	0x00	0x06	0xA2	0x00	0x00	0x00	0x68	0x00	0x00	0x00		
		Channelmapping_C	0x0C	0x00	0x00	0x06	0xA2	0x00	0x00	0x00	0x69	0x00	0x00	0x00		
	Touch Detection (0x0097) and Approach Detection (0x0097)		0x0C	0x00	0x00	0x06	0xA2	0x00	0x00	0x00	0x97	0x00	0x00	0x00	Fixed command.	
	Approach Detection (0x0081)		0x0C	0x00	0x00	0x06	0xA2	0x00	0x00	0x00	0x81	0x00	0x00	0x00	Fixed command.	
	AirWheel (0x0090)		0x0C	0x00	0x00	0x06	0xA2	0x00	0x00	0x00	0x90	0x00	0x00	0x00	Fixed command.	
	Gesture Processing HMM (0x0085)		0x0C	0x00	0x00	0x06	0xA2	0x00	0x00	0x00	0x85	0x00	0x00	0x00	Fixed command.	
	Calibration Operation Mode (0x0080)		0x0C	0x00	0x00	0x06	0xA2	0x00	0x00	0x00	0x80	0x00	0x00	0x00	Fixed command.	
	Data Output Enable Mask (0x00A0)		0x0C	0x00	0x00	0x06	0xA2	0x00	0x00	0x00	0xA0	0x00	0x00	0x00	Fixed command.	
	Data Output Lock Mask (0x00A1)		0x0C	0x00	0x00	0x06	0xA2	0x00	0x00	0x00	0xA1	0x00	0x00	0x00	Fixed command.	
	Data Output Request Mask (0x00A2)		0x0C	0x00	0x00	0x06	0xA2	0x00	0x00	0x00	0xA2	0x00	0x00	0x00	Fixed command.	
Gesture in progress flag control (0x00A3)		0x0C	0x00	0x00	0x06	0xA2	0x00	0x00	0x00	0xA3	0x00	0x00	0x00	Fixed command.		

TABLE A-2: SET_RUNTIME_PARAMETER_COMMAND_EXAMPLES

Requested Function		Set_Runtime_Parameter																Comment	
		Header				Payload													
		Msg. Size	Flags	Seq.	ID	Runtime Parameter ID	Reserved	Argument0				Argument1							
Common Category	Trigger (0x1000)	Force Calibration	0x10	0x00	0x00	0xA2	0x00	0x10	0x00	0x00	0x00	0x00	0x00	0x00	0x00	0x00	0x00	0x00	Fixed command.
		Enter Deep Sleep 1	0x10	0x00	0x00	0xA2	0x00	0x10	0x00	0x00	0x02	0x00	0x00	0x00	0x00	0x00	0x00	0x00	Fixed command.
		Enter Deep Sleep 2	0x10	0x00	0x00	0xA2	0x00	0x10	0x00	0x00	0x03	0x00	0x00	0x00	0x00	0x00	0x00	0x00	Fixed command.
	MakePersistent (0xFF00)	Store RTPs for AFE	0x10	0x00	0x00	0xA2	0x00	0xFF	0x00	0x00	0x00	0x00	0x00	0x00	0x00	0x00	0x00	0x00	Fixed command.
		Store RTPs for DSP	0x10	0x00	0x00	0xA2	0x00	0xFF	0x00	0x00	0x01	0x00	0x00	0x00	0x00	0x00	0x00	0x00	Fixed command.
		Store RTPs for System	0x10	0x00	0x00	0xA2	0x00	0xFF	0x00	0x00	0x02	0x00	0x00	0x00	0x00	0x00	0x00	0x00	Fixed command.
Analog Front-End Category	Electrode Mapping (0x0065, 0x0066, 0x0067, 0x0068, 0x0069)	Channelmapping_S	0x10	0x00	0x00	0xA2	0x65	0x00	0x00	0x00	0x03	0x00	0x00	0x00	0x00	0x00	0x00	Argument0 (8-bit) defines the respective Rx Channel for each electrode. This value can be '0' for Rx0, '1' for Rx1, '2' for Rx2, '3' for Rx3 or '4' for Rx4. These values are just examples.	
		Channelmapping_W	0x10	0x00	0x00	0xA2	0x66	0x00	0x00	0x00	0x01	0x00	0x00	0x00	0x00	0x00	0x00		
		Channelmapping_N	0x10	0x00	0x00	0xA2	0x67	0x00	0x00	0x00	0x02	0x00	0x00	0x00	0x00	0x00	0x00		
		Channelmapping_E	0x10	0x00	0x00	0xA2	0x68	0x00	0x00	0x00	0x04	0x00	0x00	0x00	0x00	0x00	0x00		
		Channelmapping_C	0x10	0x00	0x00	0xA2	0x69	0x00	0x00	0x00	0x00	0x00	0x00	0x00	0x00	0x00	0x00		
Digital Signal Processing	TransFreqSelect (0x0082)	Five frequencies	0x10	0x00	0x00	0xA2	0x82	0x00	0x00	0x00	0x05	0x00	0x00	0x00	0x10	0x32	0x04	0x00	This is an example for five frequencies used in the following order (0x43210): 45 kHz, 44 kHz, 43 kHz, 42 kHz and then 100 kHz
		Two frequencies	0x10	0x00	0x00	0xA2	0x82	0x00	0x00	0x00	0x02	0x00	0x00	0x00	0x42	0x00	0x00	0x00	This is an example for two frequencies used in the following order (0x42): 43 kHz and then 100 kHz
	Touch Detection (0x0097)	Enable	0x10	0x00	0x00	0xA2	0x97	0x00	0x00	0x00	0x08	0x00	0x00	0x00	0x08	0x00	0x00	0x00	Fixed command.
		Disable	0x10	0x00	0x00	0xA2	0x97	0x00	0x00	0x00	0x00	0x00	0x00	0x00	0x08	0x00	0x00	0x00	Fixed command.
	Approach Detection (0x0097)	Enable	0x10	0x00	0x00	0xA2	0x97	0x00	0x00	0x00	0x01	0x00	0x00	0x00	0x01	0x00	0x00	0x00	Fixed command.
		Disable	0x10	0x00	0x00	0xA2	0x97	0x00	0x00	0x00	0x00	0x00	0x00	0x00	0x01	0x00	0x00	0x00	Fixed command.

TABLE A-2: SET_RUNTIME_PARAMETER COMMAND EXAMPLES (CONTINUED)

Requested Function		Set_Runtime_Parameter															Comment	
		Header				Payload												
		Msg. Size	Flags	Seq.	ID	Runtime Parameter ID	Reserved	Argument0				Argument1						
AirWheel (0x0090)	Enable	0x10	0x00	0x00	0xA2	0x90	0x00	0x00	0x00	0x20	0x00	0x00	0x00	0x20	0x00	0x00	0x00	Fixed command.
	Disable	0x10	0x00	0x00	0xA2	0x90	0x00	0x00	0x00	0x00	0x00	0x00	0x00	0x20	0x00	0x00	0x00	Fixed command.
Gesture Processing HMM (0x0085)	Enable All Gestures	0x10	0x00	0x00	0xA2	0x85	0x00	0x00	0x00	0x7F	0x00	0x00	0x00	0x7F	0x00	0x00	0x00	The Argument0 (8-bit) defines which Gestures need to be configured. The Argument1 defines the mask for the Gestures which need to be configured. These values are just examples.
	Enable Only Flick Gestures	0x10	0x00	0x00	0xA2	0x85	0x00	0x00	0x00	0x1F	0x00	0x00	0x00	0x7F	0x00	0x00	0x00	
	Enable in Addition Circles	0x10	0x00	0x00	0xA2	0x85	0x00	0x00	0x00	0x60	0x00	0x00	0x00	0x60	0x00	0x00	0x00	
Calibration Operation Mode (0x0080)	Enable	0x10	0x00	0x00	0xA2	0x80	0x00	0x00	0x00	0x00	0x00	0x00	0x00	0x3F	0x00	0x00	0x00	Fixed command.
	Disable	0x10	0x00	0x00	0xA2	0x80	0x00	0x00	0x00	0x3F	0x00	0x00	0x00	0x3F	0x00	0x00	0x00	Fixed command.
Data Output Enable Mask (0x00A0)	Enable All Data	0x10	0x00	0x00	0xA2	0xA0	0x00	0x00	0x00	0x3F	0x18	0x00	0x00	0x3F	0x18	0x00	0x00	The Argument0 defines which Data need to be enabled or disabled. The Argument1 defines the mask for the Data which need to be configured. These values are just examples.
	Enable DSP, Gestures and Noise Power	0x10	0x00	0x00	0xA2	0xA0	0x00	0x00	0x00	0x23	0x00	0x00	0x00	0x3F	0x18	0x00	0x00	
	Enable Only Data: Noise (others not changed)	0x10	0x00	0x00	0xA2	0xA0	0x00	0x00	0x00	0x10	0x00	0x00	0x00	0x10	0x00	0x00	0x00	
	Disable Only Data: CIC (others not changed)	0x10	0x00	0x00	0xA2	0xA0	0x00	0x00	0x00	0x00	0x00	0x00	0x00	0x00	0x08	0x00	0x00	
Data Output Lock Mask (0x00A1)	Lock All Data	0x10	0x00	0x00	0xA2	0xA1	0x00	0x00	0x00	0x3F	0x18	0x00	0x00	0x3F	0x18	0x00	0x00	The Argument0 defines which Data need to be locked or unlocked. The Argument1 defines the mask for the Data which need to be configured. These values are just examples.
	Lock DSP, Gestures and Noise Power	0x10	0x00	0x00	0xA2	0xA1	0x00	0x00	0x00	0x23	0x00	0x00	0x00	0x3F	0x18	0x00	0x00	
	Lock Only Data: Noise (others not changed)	0x10	0x00	0x00	0xA2	0xA1	0x00	0x00	0x00	0x10	0x00	0x00	0x00	0x10	0x00	0x00	0x00	
	UnLock Only Data: CIC (others not changed)	0x10	0x00	0x00	0xA2	0xA1	0x00	0x00	0x00	0x00	0x00	0x00	0x00	0x00	0x08	0x00	0x00	
Data Output Request Mask (0x00A2)	Request All Data	0x10	0x00	0x00	0xA2	0xA2	0x00	0x00	0x00	0x3F	0x18	0x00	0x00	0x3F	0x18	0x00	0x00	The Argument0 defines which Data need to be requested. This is only valid for the next message. The Argument1 defines the mask for the Data which need to be configured. These values are just examples.
	Request DSP, Gestures and Noise Power	0x10	0x00	0x00	0xA2	0xA2	0x00	0x00	0x00	0x23	0x00	0x00	0x00	0x3F	0x18	0x00	0x00	
	Request Only Data: Noise	0x10	0x00	0x00	0xA2	0xA2	0x00	0x00	0x00	0x10	0x00	0x00	0x00	0x10	0x00	0x00	0x00	
Gesture in Progress Flag Control (0x00A3)	Enable	0x10	0x00	0x00	0xA2	0xA3	0x00	0x00	0x00	0x01	0x00	0x00	0x00	0x01	0x00	0x00	0x00	Fixed command.
	Disable	0x10	0x00	0x00	0xA2	0xA3	0x00	0x00	0x00	0x00	0x00	0x00	0x00	0x01	0x00	0x00	0x00	Fixed command.

TABLE A-3: SENSOR_DATA_OUTPUT COMMAND EXAMPLES

Requested Function	User Action	Sensor_Data_Output												Comment
		Header				Payload								
		Msg. Size	Flags	Seq.	ID	Data Output Config. Mask	Time Stamp	System Info	Parameter					
Data Output contains only DSPStatus field (configured using the Set_Runtime_Parameter command: 10 00 00 A2 A0 00 00 00 01 00 00 00 FF FF FF FF)	No action	0x0A	0x08	0x26	0x91	0x01	0x01	0x5D	0x80	0x10	0x73	—	—	Negative Calibration.
		0x0A	0x08	0x27	0x91	0x01	0x01	0x5E	0x80	0x00	0x73	—	—	Calibration finished.
		0x0A	0x08	0x28	0x91	0x01	0x01	0x5D	0x80	0x20	0x73	—	—	Idle Calibration.
		0x0A	0x08	0x29	0x91	0x01	0x01	0x5E	0x80	0x00	0x73	—	—	Calibration finished.
Data Output contains only Gesture Data field (configured using the Set_Runtime_Parameter command: 10 00 00 A2 A0 00 00 00 02 00 00 00 FF FF FF)	Flick East to west	0x0C	0x08	0x31	0x91	0x02	0x01	0x82	0x80	0x03	0x10	0x00	0x00	0x03: Flick East to West 0x10: Flick Gesture
		0x0C	0x08	0x32	0x91	0x02	0x01	0x83	0x80	0x00	0x00	0x00	0x00	
	Flick North to South	0x0C	0x08	0x33	0x91	0x02	0x01	0x13	0x80	0x05	0x10	0x04	0x00	0x05: Flick North to South 0x10: Flick Gesture
		0x0C	0x08	0x34	0x91	0x02	0x01	0x14	0x80	0x00	0x00	0x00	0x00	
	Flick South to North	0x0C	0x08	0x35	0x91	0x02	0x01	0x53	0x80	0x04	0x10	0x04	0x00	0x03: Flick South to North 0x10: Flick Gesture
		0x0C	0x08	0x36	0x91	0x02	0x01	0x54	0x80	0x00	0x00	0x00	0x00	
	Flick West to East	0x0C	0x08	0x37	0x91	0x02	0x01	0x5D	0x80	0x02	0x10	0x00	0x00	0x03: Flick West to East 0x10: Flick Gesture
		0x0C	0x08	0x38	0x91	0x02	0x01	0x5E	0x80	0x00	0x00	0x00	0x00	

TABLE A-3: SENSOR_DATA_OUTPUT COMMAND EXAMPLES (CONTINUED)

Requested Function	User Action	Sensor_Data_Output												Comment
		Header				Payload								
		Msg. Size	Flags	Seq.	ID	Data Output Config. Mask	Time Stamp	System Info	Parameter					
<p>Data Output contains only Gesture Data field (configured using the Set_Runtime_Parameter command: 10 00 00 A2 A0 00 00 00 02 00 00 00 FF FF FF FF)</p> <p>Gesture in Progress is activated using the Set_Runtime_Parameter command: 10 00 00 A2 A3 00 00 00 01 00 00 00 FF FF FF FF)</p>	Flick East to West	0x0C	0x08	0x3A	0x91	0x02	0x01	0x19	0x81	0x00	0x00	0x00	0x80	Gesture Recognizer started
		0x0C	0x08	0x3B	0x91	0x02	0x01	0x45	0x81	0x03	0x10	0x00	0x00	Gesture recognized (Flick East to West)
		0x0C	0x08	0x3C	0x91	0x02	0x01	0x46	0x81	0x00	0x00	0x00	0x00	
	Just move hand	0x0C	0x08	0x3D	0x91	0x02	0x01	0x47	0x81	0x00	0x00	0x00	0x80	Gesture Recognizer started
		0x0C	0x08	0x3E	0x91	0x02	0x01	0x6E	0x81	0x01	0x00	0x00	0x00	Garbage recognized
		0x0C	0x08	0x3F	0x91	0x02	0x01	0x6F	0x81	0x00	0x00	0x00	0x00	
	Flick East to West	0x0C	0x08	0x40	0x91	0x02	0x01	0x83	0x81	0x00	0x00	0x00	0x80	Gesture Recognizer started
		0x0C	0x08	0x41	0x91	0x02	0x01	0xAC	0x80	0x03	0x10	0x04	0x00	Gesture recognized (Flick East to West)
		0x0C	0x08	0x42	0x91	0x02	0x01	0xAD	0x80	0x00	0x00	0x00	0x00	
	Flick North to South	0x0C	0x08	0x43	0x91	0x02	0x01	0x67	0x81	0x00	0x00	0x00	0x80	Gesture Recognizer started
		0x0C	0x08	0x44	0x91	0x02	0x01	0x8A	0x80	0x05	0x10	0x04	0x00	Gesture recognized (Flick North to South)
		0x0C	0x08	0x45	0x91	0x02	0x01	0x8B	0x80	0x00	0x00	0x00	0x00	
	Flick South to North	0x0C	0x08	0x46	0x91	0x02	0x01	0x67	0x81	0x00	0x00	0x00	0x80	Gesture Recognizer started
		0x0C	0x08	0x47	0x91	0x02	0x01	0x8E	0x80	0x04	0x10	0x04	0x00	Gesture recognized (Flick South to North)
		0x0C	0x08	0x48	0x91	0x02	0x01	0x8F	0x80	0x00	0x00	0x00	0x00	
	Flick West to East	0x0C	0x08	0x49	0x91	0x02	0x01	0x6E	0x81	0x00	0x00	0x00	0x80	Gesture Recognizer started
		0x0C	0x08	0x4A	0x91	0x02	0x01	0x9A	0x80	0x02	0x10	0x02	0x00	Gesture recognized (Flick West to East)
		0x0C	0x08	0x4B	0x91	0x02	0x01	0x9B	0x80	0x00	0x00	0x00	0x00	
	Clockwise Circle	0x0C	0x08	0x4C	0x91	0x02	0x01	0x81	0x80	0x00	0x00	0x00	0x80	Gesture Recognizer started
		0x0C	0x08	0x4D	0x91	0x02	0x01	0xD6	0x80	0x00	0x00	0x00	0x00	Circle Gesture not recognized because AirWheel is On
	Counter Clockwise Circle	0x0C	0x08	0x4E	0x91	0x02	0x01	0x05	0x80	0x00	0x00	0x00	0x80	Gesture Recognizer started
		0x0C	0x08	0x4F	0x91	0x02	0x01	0x56	0x80	0x00	0x00	0x00	0x00	Circle gesture not recognized because AirWheel is On

TABLE A-3: SENSOR_DATA_OUTPUT COMMAND EXAMPLES (CONTINUED)

Requested Function	User Action	Sensor_Data_Output												Comment
		Header				Payload								
		Msg. Size	Flags	Seq.	ID	Data Output Config. Mask	Time Stamp	System Info	Parameter					
Data Output contains only Touch Data field (configured using the Set_Runtime_Parameter command: 10 00 00 A2 A0 00 00 00 04 00 00 00 FF FF FF FF)	Touch Center Electrode	0x0C	0x08	0x45	0x91	0x04	0x01	0x51	0x81	0x10	0x00	0x09	0x00	Center Touch detected and the touch counter = 0x09
		0x0C	0x08	0x46	0x91	0x04	0x01	0x52	0x81	0x10	0x00	0x00	0x00	Touch Counter Reset
		0x0C	0x08	0x47	0x91	0x04	0x01	0x5D	0x81	0x00	0x02	0x00	0x00	Tap on Center electrode detected
		0x0C	0x08	0x48	0x91	0x04	0x01	0x5E	0x81	0x00	0x00	0x00	0x00	

Appendix B. Glossary

TABLE B-1: GLOSSARY

Term	Definition
AFE	Analog front-end
Application Host	PC or embedded controller which controls the MGC3140
Aurea	MGC3140 PC control software with graphical user interface
Colibri Suite	Embedded DSP suite within the GestIC [®] Library
Deep Sleep	MGC3140 Power-Saving mode
E-field	Electrical field
Frame Electrodes	Rectangular set of four electrodes for E-field sensing
GestIC [®] Technology	Microchip's patented technology providing 3D free-space gesture recognition utilizing the principles of electrical near-field sensing
GestIC [®] Library	Includes the implementation of MGC3140 features and is delivered as a binary file pre-programmed on the MGC3140
Gesture Recognition	Microchip's stochastic HMM classifier to automatically detect and classify hand movement patterns
Gesture Set	A set of provided hand movement patterns
Hand Brick	Copper-coated test block (40x40x70 mm)
Hillstar	MGC3130 Development Kit
HMM	Hidden Markov Model
MGC3130	Single-Zone 3D Gesture Sensing Controller
MGC3140	Second Generation Single-Zone 3D Gesture Sensing Controller
Position Tracking	GestIC [®] technology feature
Sabrewing	MGC3x30 evaluation board
Self Wake-up	MGC3140 Power-Saving mode
Sensing Area	Area enclosed by the four-frame electrodes
Sensing Space	Space above sensing area
Signal Deviation	Term for the delta of the sensor signal on approach of the hand versus non-approach
Spacer Brick	Spacer between the sensor layer and hand brick (Styrofoam block 40x40xh mm) with h= 1/2/3/5/8/12 cm
SPU	Signal Processing Unit
Approach Detection	GestIC [®] technology feature: Power-Saving mode of the MGC3140 with approach detection
Woodstar	MGC3030 Development Kit



MICROCHIP

Worldwide Sales and Service

AMERICAS

Corporate Office
2355 West Chandler Blvd.
Chandler, AZ 85224-6199
Tel: 480-792-7200
Fax: 480-792-7277
Technical Support:
<http://www.microchip.com/support>
Web Address:
www.microchip.com

Atlanta

Duluth, GA
Tel: 678-957-9614
Fax: 678-957-1455

Austin, TX

Tel: 512-257-3370

Boston

Westborough, MA
Tel: 774-760-0087
Fax: 774-760-0088

Chicago

Itasca, IL
Tel: 630-285-0071
Fax: 630-285-0075

Dallas

Addison, TX
Tel: 972-818-7423
Fax: 972-818-2924

Detroit

Novi, MI
Tel: 248-848-4000

Houston, TX

Tel: 281-894-5983

Indianapolis

Noblesville, IN
Tel: 317-773-8323
Fax: 317-773-5453
Tel: 317-536-2380

Los Angeles

Mission Viejo, CA
Tel: 949-462-9523
Fax: 949-462-9608
Tel: 951-273-7800

Raleigh, NC

Tel: 919-844-7510

New York, NY

Tel: 631-435-6000

San Jose, CA

Tel: 408-735-9110
Tel: 408-436-4270

Canada - Toronto

Tel: 905-695-1980
Fax: 905-695-2078

ASIA/PACIFIC

Australia - Sydney
Tel: 61-2-9868-6733

China - Beijing
Tel: 86-10-8569-7000

China - Chengdu
Tel: 86-28-8665-5511

China - Chongqing
Tel: 86-23-8980-9588

China - Dongguan
Tel: 86-769-8702-9880

China - Guangzhou
Tel: 86-20-8755-8029

China - Hangzhou
Tel: 86-571-8792-8115

China - Hong Kong SAR
Tel: 852-2943-5100

China - Nanjing
Tel: 86-25-8473-2460

China - Qingdao
Tel: 86-532-8502-7355

China - Shanghai
Tel: 86-21-3326-8000

China - Shenyang
Tel: 86-24-2334-2829

China - Shenzhen
Tel: 86-755-8864-2200

China - Suzhou
Tel: 86-186-6233-1526

China - Wuhan
Tel: 86-27-5980-5300

China - Xian
Tel: 86-29-8833-7252

China - Xiamen
Tel: 86-592-2388138

China - Zhuhai
Tel: 86-756-3210040

ASIA/PACIFIC

India - Bangalore
Tel: 91-80-3090-4444

India - New Delhi
Tel: 91-11-4160-8631

India - Pune
Tel: 91-20-4121-0141

Japan - Osaka
Tel: 81-6-6152-7160

Japan - Tokyo
Tel: 81-3-6880-3770

Korea - Daegu
Tel: 82-53-744-4301

Korea - Seoul
Tel: 82-2-554-7200

Malaysia - Kuala Lumpur
Tel: 60-3-7651-7906

Malaysia - Penang
Tel: 60-4-227-8870

Philippines - Manila
Tel: 63-2-634-9065

Singapore
Tel: 65-6334-8870

Taiwan - Hsin Chu
Tel: 886-3-577-8366

Taiwan - Kaohsiung
Tel: 886-7-213-7830

Taiwan - Taipei
Tel: 886-2-2508-8600

Thailand - Bangkok
Tel: 66-2-694-1351

Vietnam - Ho Chi Minh
Tel: 84-28-5448-2100

EUROPE

Austria - Wels
Tel: 43-7242-2244-39
Fax: 43-7242-2244-393

Denmark - Copenhagen
Tel: 45-4450-2828
Fax: 45-4485-2829

Finland - Espoo
Tel: 358-9-4520-820

France - Paris
Tel: 33-1-69-53-63-20
Fax: 33-1-69-30-90-79

Germany - Garching
Tel: 49-8931-9700

Germany - Haan
Tel: 49-2129-3766400

Germany - Heilbronn
Tel: 49-7131-67-3636

Germany - Karlsruhe
Tel: 49-721-625370

Germany - Munich
Tel: 49-89-627-144-0
Fax: 49-89-627-144-44

Germany - Rosenheim
Tel: 49-8031-354-560

Israel - Ra'anana
Tel: 972-9-744-7705

Italy - Milan
Tel: 39-0331-742611
Fax: 39-0331-466781

Italy - Padova
Tel: 39-049-7625286

Netherlands - Drunen
Tel: 31-416-690399
Fax: 31-416-690340

Norway - Trondheim
Tel: 47-7289-7561

Poland - Warsaw
Tel: 48-22-3325737

Romania - Bucharest
Tel: 40-21-407-87-50

Spain - Madrid
Tel: 34-91-708-08-90
Fax: 34-91-708-08-91

Sweden - Gothenberg
Tel: 46-31-704-60-40

Sweden - Stockholm
Tel: 46-8-5090-4654

UK - Wokingham
Tel: 44-118-921-5800
Fax: 44-118-921-5820