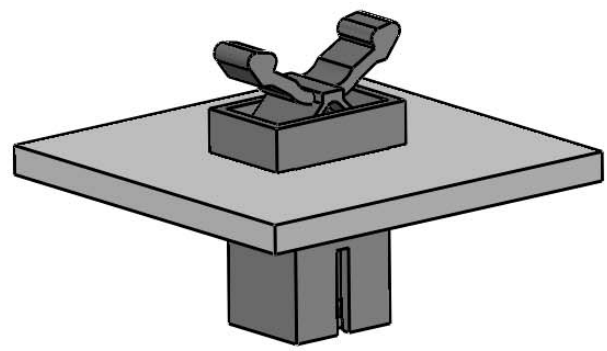
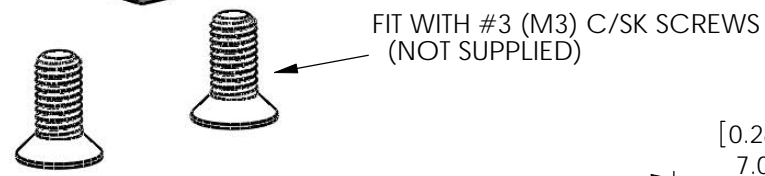
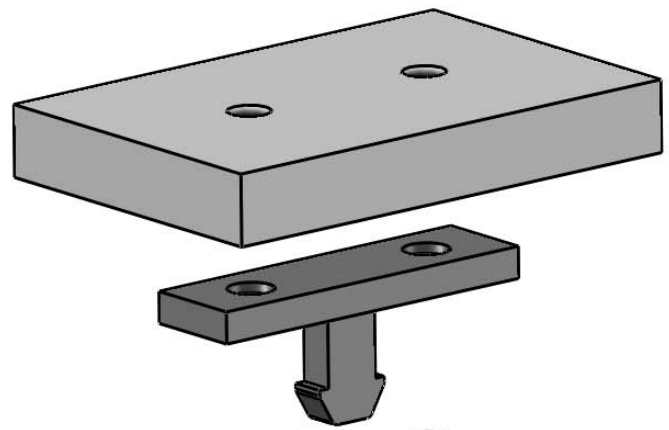
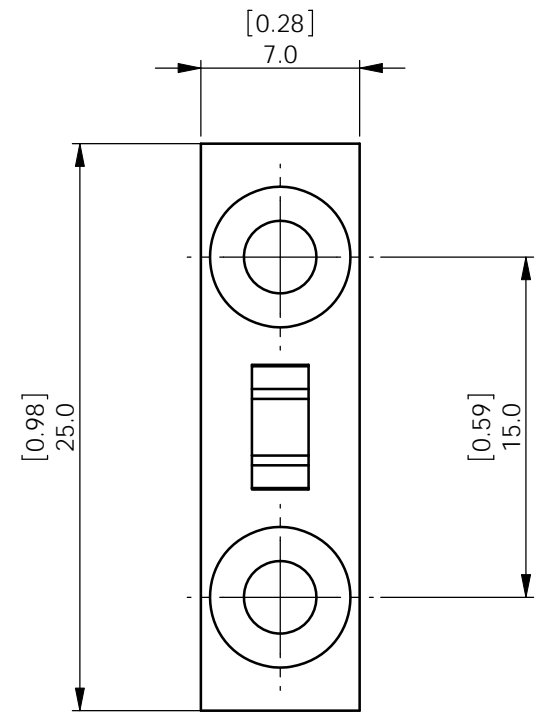
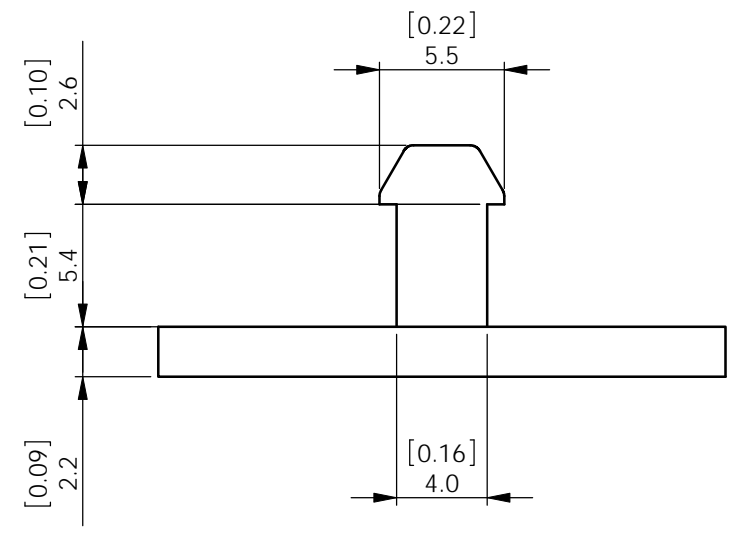
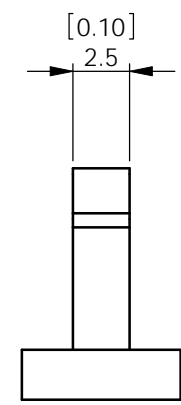


REV	MODIFICATION	DATE	DRN
02	ECN2008-024	04/02/08	TC



FOR USE WITH RICHCO DOOR LATCH PART No 'DL-1'



INFORMATION CONTAINED IN THIS DOCUMENT IS CONFIDENTIAL TO RICHCO INTERNATIONAL Co. Ltd. AND MAY NOT BE DISCLOSED OR REPRODUCED IN WHOLE OR PART WITHOUT THEIR WRITTEN CONSENT.

	ALL DIMENSIONS IN mm & [INCH] GENERAL TOLERANCES ±0.25 [.010] UNLESS OTHERWISE STATED 1 DECIMAL PLACE ±0.25 [.010] 2 DECIMAL PLACES ± 0.10 [.004] ANGULAR ±1°	THIRD ANGLE
--	--	-----------------

MATERIAL: ACETAL (RMS 14)	COLOUR: BLACK
--------------------------------------	-------------------------

DESCRIPTION: DOOR LATCH STRIKER	PART No: DLS-2
---	--------------------------

DRG No: 07-058	NPR No: 2007-262	Mass:(g) 0.6	SHEET SIZE A4
--------------------------	----------------------------	------------------------	-------------------------

DRN SF	DATE 26/06/07	CHKD OW	DATE 26/06/07	SCALE 4:1	SHEET No. 1 OF 1
------------------	-------------------------	-------------------	-------------------------	---------------------	----------------------------