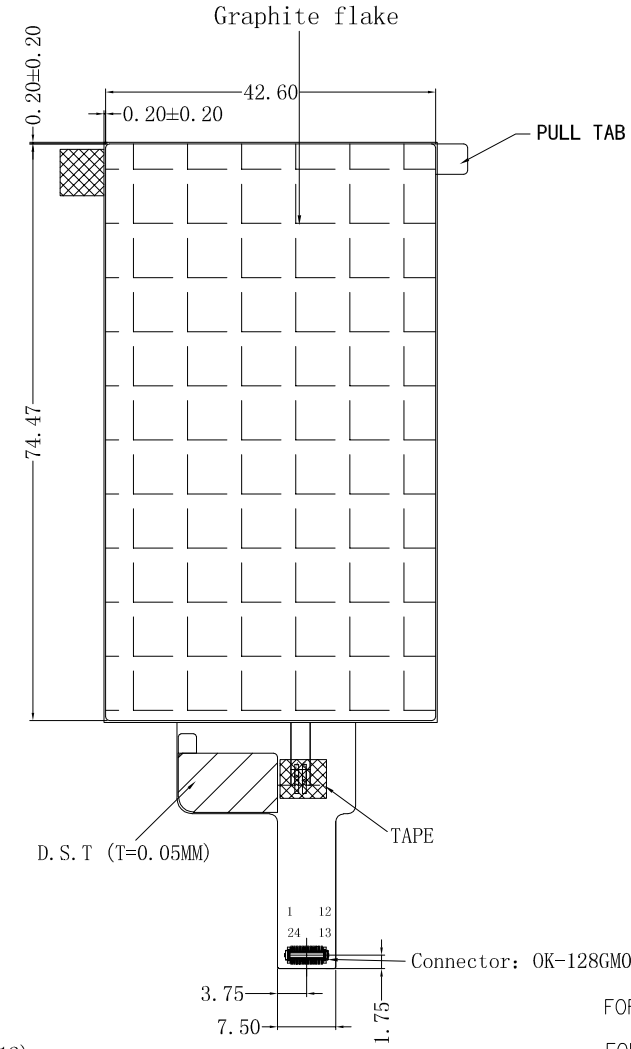
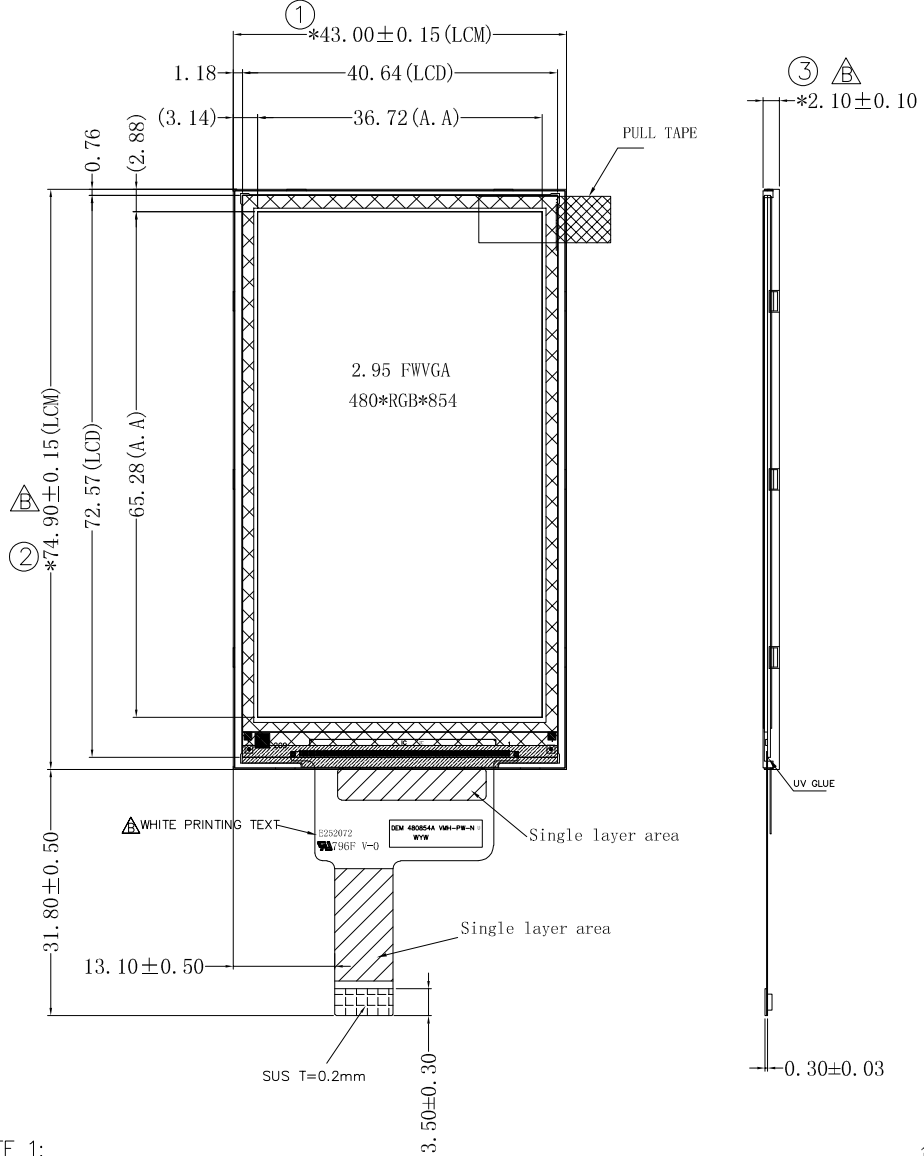
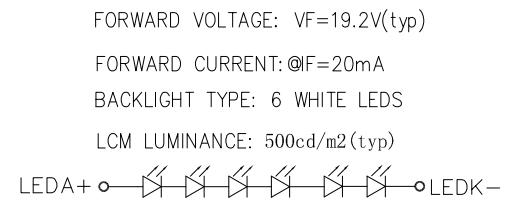
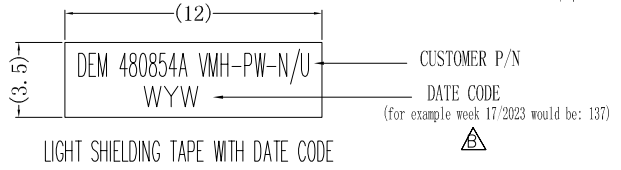


Counter-drawing revision date 图纸版本日期	2023-06-20	
Module type 模块类型	COG+FPC+BLU+PULL TAPE	
Display type 显示类型	TFT (NORMAL BLACK)/TRANSMISSIVE	
Module dimension (WxHxT), mm 模块尺寸	43x74.9x 2.1 (EXCLUDE FPC length)	
Number of dots 点阵个数	480 x R.G.B. x 854 DOTS	
Dot size (WxH), mm 点阵尺寸	0.0255 x 0.07644	
Display area (WxH), mm 显示区	36.72 x 65.28	
Viewing angle 视角	FREE	
Front polarizer type 表偏光片类型	Transmissive normal	
Back polarizer type 底偏光片类型	Transmissive normal	
Driver IC P/N 驱动 IC 型号	ST7701S	
Interface connector type 界面连接类型	FPC	
Operating temperature 工作温度	-20 °C ~	70 °C
Storage temperature 存储温度	-30 °C ~	80 °C



No:	PIN NAME
1	LEDK
2	LEDK
3	LEDA
4	LEDA
5	GND
6	GND
7	RST(1V8)
8	GND
9	IOVCC(1.8V)
10	VCI-2.8V
11	VCI-2.8V
12	GND
13	GND
14	TCP
15	TCN
16	GND
17	GND
18	TDPO
19	TDNO
20	GND
21	GND
22	TDP1
23	TDN1
24	GND



NOTE 1:
 1. "◇"SPECIAL DIMENSION(PPK/CPK DATA NEEDED>1.67)
 2. "***"CONTROL DIMENSION
 3. No Use of Prohibited Substances defined in SOP-E-QS-009 and Only purchase Designated Raw Materials from Green Partners.
 4. DRIVER IC : SI7701S