

# LED Down Light 3CCT – D200\_ 8inch 24W

Authorized Licensee for TOSHIBA trademark



## 1. Specification:

### A. General Data

<b>Model</b>	3CCT D200_8inch 24W
<b>P/N</b>	DELS-DLD402481S041
<b>Westnet Code</b>	00172867
<b>Rated Voltage</b>	230 VAC
<b>Frequency</b>	50 Hz
<b>Rated Wattage</b>	24 W
<b>Deviation Tolerance of Wattage</b>	±10 %
<b>Rated Current</b>	0.180 A
<b>Maximum Input Current</b>	0.21 A
<b>Dimmable</b>	Non-Dim
<b>Beam Angle</b>	110°
<b>Energy Efficiency Class(EEC)</b>	F
<b>Peak luminous intensity (cd)</b>	Non-directional
<b>R9 CRI</b>	1
<b>Survival factor</b>	0.9
<b>Safety requirements</b>	CE
<b>Displacement factor (cos φ1)**</b>	≥0.7
<b>Stroboscopic effect</b>	0.9

<b>metric (SVM)</b>	
<b>Flicker metric (PstLM)</b>	1
<b>Ingress protection rating</b>	IP20
<b>Impact resistance</b>	N.A
<b>Photobiological Group</b>	RG 1

\* Displacement factor tolerance +/- 10%

### B. Light Data

<b>Color</b>	Warm White	Neutral Withe	Cool White
<b>Color Temperature (CCT)</b>	3000K	4000K	6500K
<b>Lumen Output* (<math>\phi_{Total}^{\circ}</math>)</b>	<b>2600 lm</b>		
<b>Color Rendering Index*</b>	$\geq 80$		
<b>Efficacy(<math>\phi_{Total}^{\circ}</math>)</b>	108.3 lm/W		
<b>Color Consistency**</b>	6 Step MacAdam Ellipse (6 SDCM)		

\* tolerance +/- 10%

\*\* 3000K center point (0.43387, 0.40319) ; 4000K center point (0.38177, 0.37959) ; 6500K center point (0.31230, 0.32825)

### C. Lifetime

(Supplied Voltage: AC 230V ; Ambient Temperature: 25°C)

<b>Lumen Maintenance Factor</b>	70% of the rated lifetime
<b>Rated Lifetime – L<sub>70</sub>B<sub>50</sub></b>	15,000 hrs
<b>Lumen Maintenance factor</b>	93.1%

### D. Temperature Operation

<b>Normal operation temperature</b>	-20°C ~ 40°C
<b>Relative Humidity</b>	10% ~ 90%

### E. Geometric Data

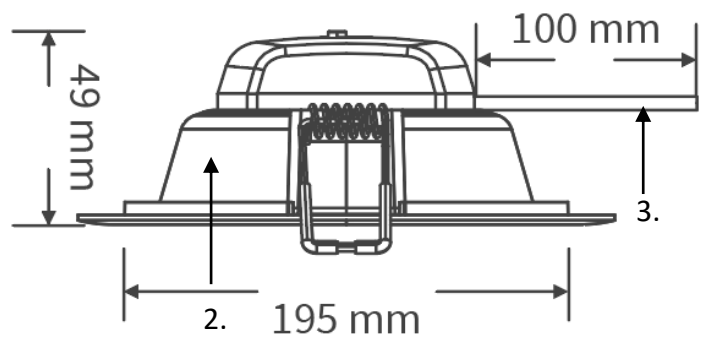
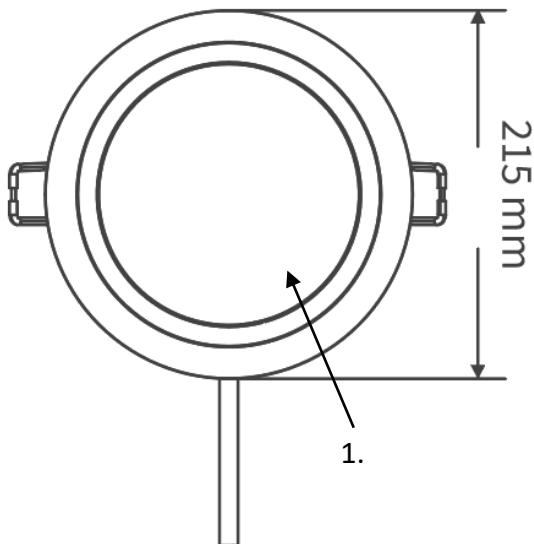
<b>Model</b>	LED Down Light 3CCT D200_8inch 24W
<b>Maximum overall width</b>	215 ± 2 mm
<b>Maximum overall height</b>	49 ± 2 mm
<b>Minimum cut out</b>	195 mm
<b>Mass</b>	240g ± 10%

### F. Environmental relevant materials

Mercury (Hg)	Comply with RoHS Directive 2011/65/EU
Lead (Pb)	
Cadmium(Cd)	
Hexavalent Chromium(Cr6+)	
Polybrominated Biphenyls(PBBs)	
Polybrominated Diphenyl Ethers(PBDEs)	
Bis (2-ethylhexyl) phthalate(DEHP)	
Butyl benzyl phthalate(BBP)	
Dibutyl phthalate(DBP)	
Diisobutyl phthalate(DIBP)	

### 2. Outline Drawing

Unit : mm

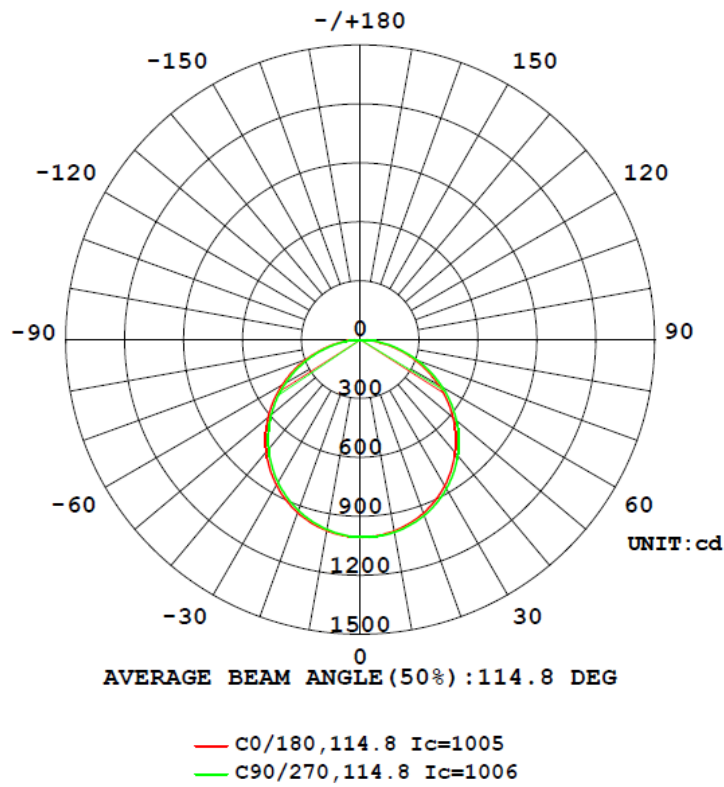


#### Material Information

1. Cover : PC
2. Plastics enclosed : PPS
3. AC Wire : H03VVH2-F

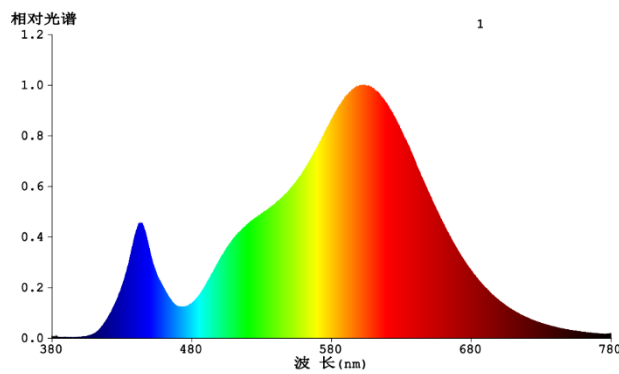
### 3. Light Distribution Curve

FWHM 110°

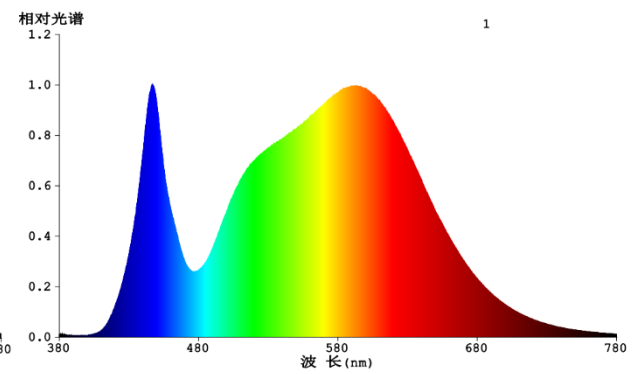


### 4. Spectrum Distribution

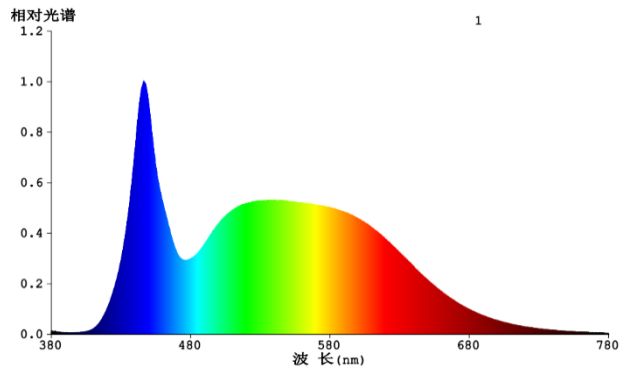
3000K Color Temperature



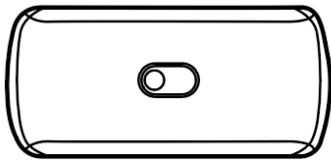
4000K Color Temperature



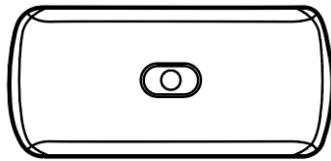
6500K Color Temperature



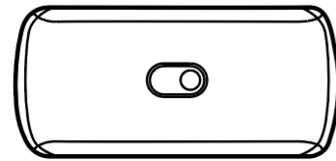
## 5. 3-CCT Selectable



Select 3000K



Select 4000K



Select 6500K

## 6. Warnings

Before replacing, turn off power and let lamp cool to avoid electrical shock or burn.

## 7. Cautions

- Not intended for use with emergency light fixtures for exit lights.
- Electrical work and repairs must be performed by qualified electrician.
- During installation, always observe the national installation regulations.
- The luminaire must not be modified in any way. Risk of electric shock and accident.
- The light source contained in this luminaire shall only be replaced by the manufacturer or his service agent or a similar qualified person.
- If the external flexible cable or cord of this luminaire is damaged, it shall be exclusively replaced by the manufacturer or his service agent or a similar qualified person in order to avoid a hazard.
- Do not use outdoors.

## 8. Notes

All characteristics are estimated at room temperature (25°C), free air burning, base up burning position and at rated voltage. In view of the complex manufacturing process for light above for the technical LED parameters are merely statistical values that do not necessarily correspond to the actual technic individual products may vary from the typical values.

## 9. Logistic information

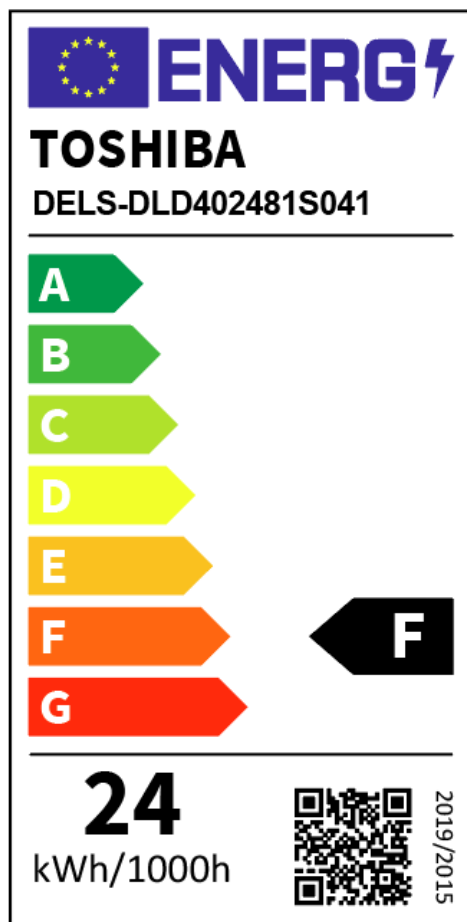
<b>Model</b>	LED Down Light 3CCT D200_8inch 24W
<b>Pieces per pack</b>	1
<b>EAN code on pack</b>	4711112386253
<b>Size of pack</b>	230*56*218 mm
<b>Weight per pack (G.W)</b>	300g
<b>Packs per inner box</b>	N/A
<b>EAN code on inner box</b>	N/A
<b>ITF code on inner box</b>	N/A
<b>Size of inner box</b>	N/A
<b>Weight per inner box(G.W)</b>	N/A
<b>Packs per outer box</b>	30
<b>EAN code on outer box</b>	N/A
<b>ITF code on outer box</b>	14711112386250
<b>Size of outer box</b>	670*455*305 mm
<b>Weight per outer box(G.W)</b>	10.8kg

LED Down Light 3CCT D200\_8inch 24W

Packing Photograph



### 10. ERP Label



### 11. Conformity

<b>2014/35/EU;</b> <b>Low Voltage</b> <b>Directive</b>	EN 60598-1:2015 + A1 :2018 · EN 60598-2-2:2012 · EN62493:2015 · IEC TR 62778 : 2014
<b>2014/30/EU;</b> <b>EMC Directive</b>	EN IEC 55015:2019 + A11:2020 · EN IEC 61000-3-2 : 2019 · EN 61547:2009 · EN 61000-3-3:2013 + A1:2019
<b>2009/125/EC;</b> <b>ErP Directive</b>	(EU) 2019/2015 · (EU) 2019/2020 · (EU)2021/340 · (EU)2021/341
<b>2011/65/EU+(EU)2015/863;</b> <b>RoHS Directive</b>	EN 50581: 2012