

DISPLAY Elektronik GmbH

DATA SHEET

BACKLIGHT

DE LP-502-A

Product Specification

Version: 1

20.09.2016

GENERAL SPECIFICATION

MODEL NO. :

DE LP-502-A

CUSTOMER P/N

Version No.	Change Description	Date
0	Original Version	14.09.2016
1	Update Spec	20.09.2016

PREPARED BY: GJJ

DATE: 20.09.2016

APPROVED BY: MH

DATE: 20.09.2016

CONTENTS

1. FEATURES2

2. EXTERNAL DIMENSION (UNIT: MM).....2

3. ELECTRICAL/OPTICAL SPECIFICATIONS.....3

4. ACCEPT QUALITY LEVEL (AQL).3

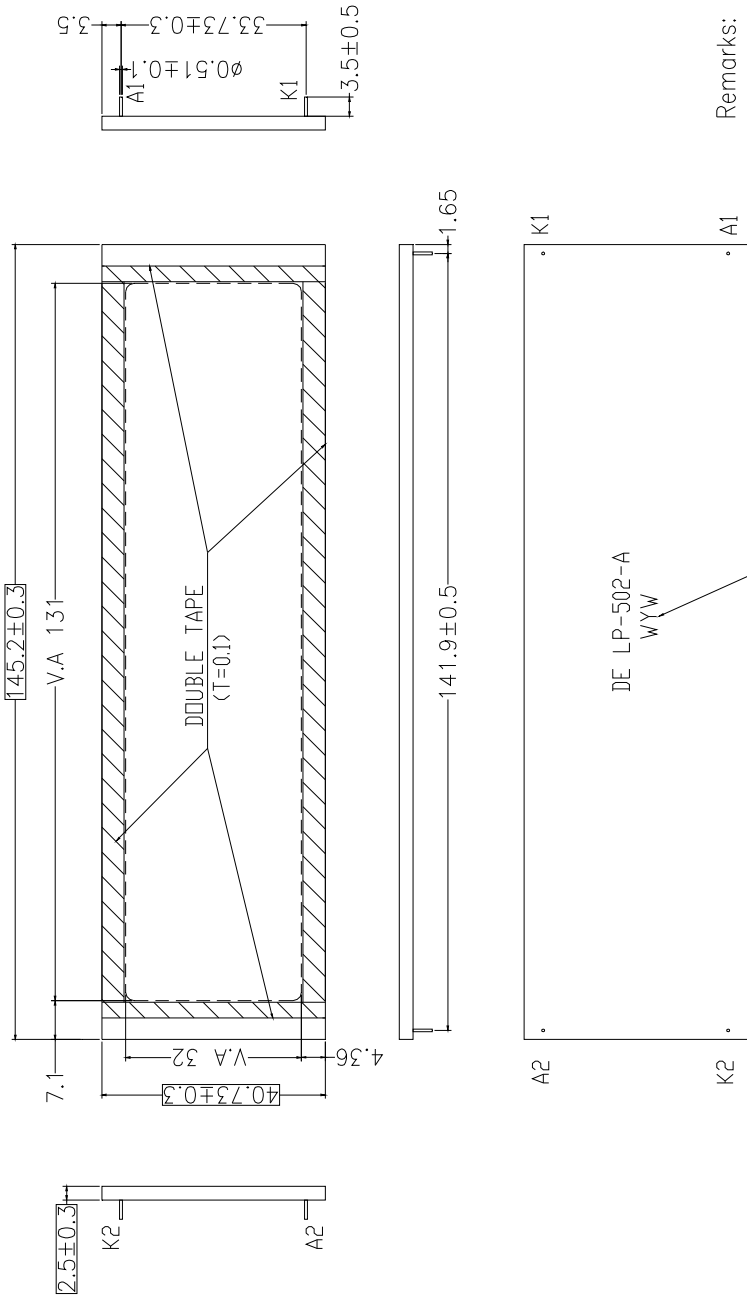
5. RELIABILITY TEST.....3

1. FEATURES

Backlight Color: Amber

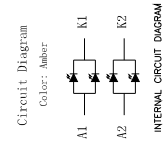
RoHS: Conformed

2. EXTERNAL DIMENSION (unit: mm)



Remarks:
 1. Unmarked tolerance is ± 0.3
 2. All materials comply with RoHS
 3. [] : critical dimension.
 4. Operation temperature: -20°C to $+70^{\circ}\text{C}$
 Storage temperature: -40°C to $+90^{\circ}\text{C}$

Product date code printing
 Format: Yyear ,Ww,week



3. ELECTRICAL/OPTICAL SPECIFICATIONS

ELECTRICAL–OPTICAL CHARACTERISTICS

Ta=25°C. Unless specified, The Ambient temperature Ta=25°C

Item	Symbol	min.	typ.	max.	Unit	Condition
Forward Current	Iv	1.6	2.0	2.5	v	If=40*2 mA
Power Dissipation	Pd	–	–	100*2	mW	If=40*2 mA
Luminous Uniformity	DLv	70			%	MIN/MAX*100%
Luminance	Lv	80	113	–	cd/m ²	If=40*2 mA T=25°C
Dominant Wave Length	λD	585	590	595	nm	
Lifetime	50000(brightness reduce half)				Hours	

4. ACCEPT QUALITY LEVEL (AQL).

4.1. AQL standard value: Critical defect =0, Major defect=0.65; Minor defect =2.5.

4.2. Inspection Plan: ANSI Z-1.4, Normal Inspection Level II, Single Sampling Plan.

5. RELIABILITY TEST

Test Item	Test Condition
High Temperature Storage	+90°C x 96h
Low temperature Storage	-40°C x 96h
High Temperature Operation	+70°C x 96h
Low Temperature Operation	-20°C x 96h
High Temperature, High Humidity	60°C x 90%RH x 4 Weeks
Thermal Shock	-20°C x 30min → 25°C x 10s → +70°C x 30min x 5 Cycles
Vibration Test	Frequency x Swing x Time 40Hz x 4mm x 4h
Drop Test	Height x Number of drop 1.0m x 6 drops