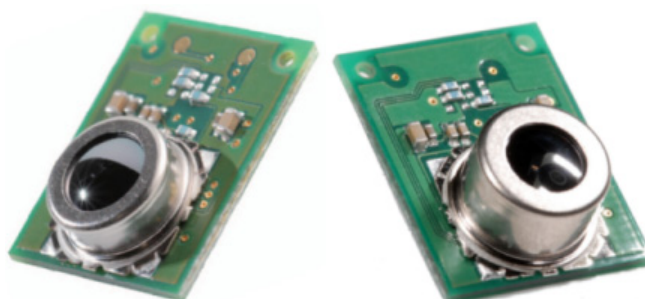


Application Note 01

Usage of D6T-44L / D6T-8L Thermal sensor



INDEX

1	OUTLINE	3
2	STRUCTURE	3
3	DIMENSIONS	3
4	OPERATING PRINCIPLE	3
5	FEATURES	4
6	USAGE	6
6.1	CONNECTOR	6
6.2	ELECTRICAL CONNECTION.....	7
6.3	I2C PORT SETTING	9
6.4	EXAMPLE GETTING THE MEASUREMENT VALUE. (16CH : D6T-44L)	11
6.5	PEC CHECK ROUTINE EXAMPLE	13
6.6	DETECT ROUTINE OF WAIT STATUS (CLOCK-STRETCHING)	14
6.7	TEMPERATURE RANGE	15
6.8	COVER MATERIAL.....	16
7	FAQ	17
8	GLOSSARY	18
9	WARRANTY AND LIMITED LIABILITY	19
10	CONTACT	21
11	HISTORY	21

1 Outline

This application note provides a supplement to the data sheet for the D6T series non-contact temperature sensor – by adding special instructions and usage information.

*Please see Omron’s website for the most current datasheet.

2 Structure

The D6T series sensors are made up of a cap with silicon lens, MEMS thermopile sensor chips, and dedicated analog circuit and a logic circuit for converting to a digital temperature value on a single board through one connector.

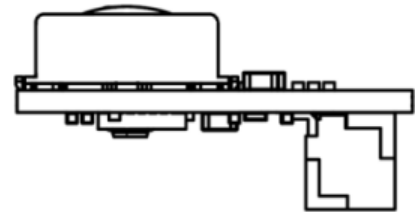


Fig.1 Module outline (Reference)

3 Dimensions

Please refer to the data sheet for complete dimension details. The height of the lens on the D6T-44L and D6T-8L are different, but both feature a small PCB (14mm x 18mm). The module also has a retention area and holes usable for proper alignment. For connector details please see Section 6.

4 Operating principle

An outline of the basic measuring operation is as follows.

- The silicon lens collects radiated heat (far-infrared ray) emitted from an object onto the thermopile sensor in the module.
- The radiated heat (far-infrared ray) produces an electromotive force on the thermopile sensor.
- The analog circuit calculates the temperature of an object by using the electromotive force value and a measured temperature value inside the module.
- The measured value is outputted through an I2C bus.

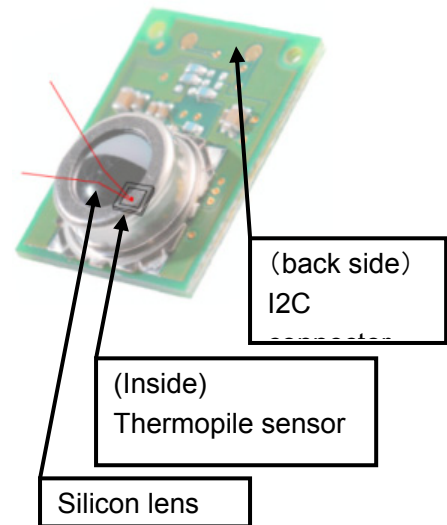


Fig.2 Module construction

5 Features

The non-contact temperature sensor measures the surface temperature of an object. D6T-44L-06 and D6T-8L-06 have sensor chip arrays of 16 channels (4x4) and 8 channels (1x8) respectively. By mounting the signal processing circuit close to the sensor chip, a low noise temperature measurement is realized.

The module can also be used for detecting the presence of human beings. Omron's non-contact temperature sensor can solve the shortcomings of a conventional pyroelectric sensor, which cannot catch the signal of a stationary person because the sensor detects the change of signal [in principle]. Moreover, Omron's non-contact temperature sensor continually detects the far-infrared ray of an object, while the pyroelectric models do not.

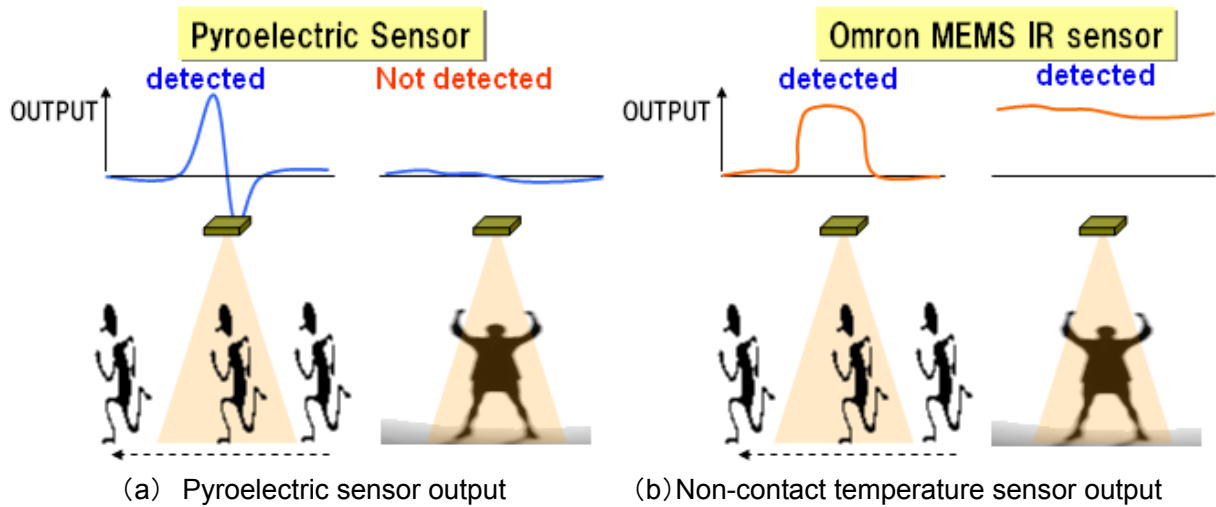


Fig.3 Difference between pyroelectric and non-contact temperature sensor

The non-contact temperature sensor achieves its sensitivity characteristic over an object view angle by using a silicon lens. FOV (Field Of View) – an indication of view angle – is generally specified as an area angle of 50% for maximum sensitivity.

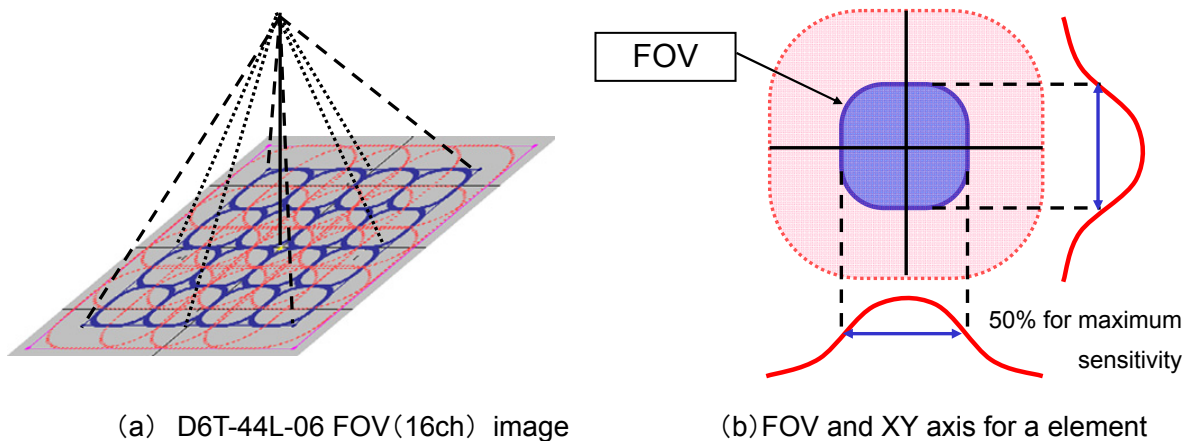


Fig.4 Sensitivity characteristics: FOV Image

Please note that the sensitivity area is wider than the FOV specified area. When an object to be measured is smaller than the sensitivity area, the background temperature effects the measurements.

Though Omron's D6T sensor corrects a temperature measurement value by using a reference heat source (blackbody furnace), the measurement's value is influenced by the emissivity of the specific material of the object to be measured, and the surface shape of the occupant relative to the sensitivity area.

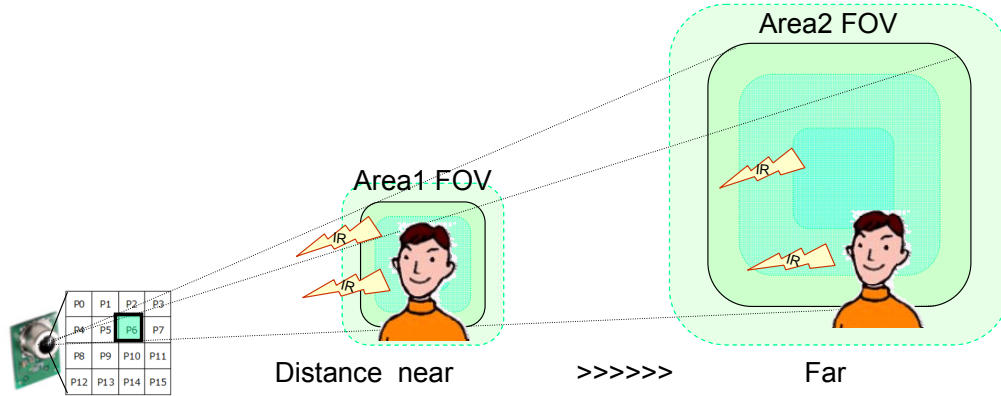


Fig.5 Changing factor of measurement by distance

Note: The occupied area in FOV becomes smaller with increasing distance and the background temperature prevails.

In cases where a D6T sensor is used for detecting human beings, the application will be limited to close range when the detection programming scheme only judges by temperature value. To extend the detection distance, improvements to the judgment accuracy can be made via software programming, considering time change, heat source location and human being movement.

6 Usage

6.1 Connector

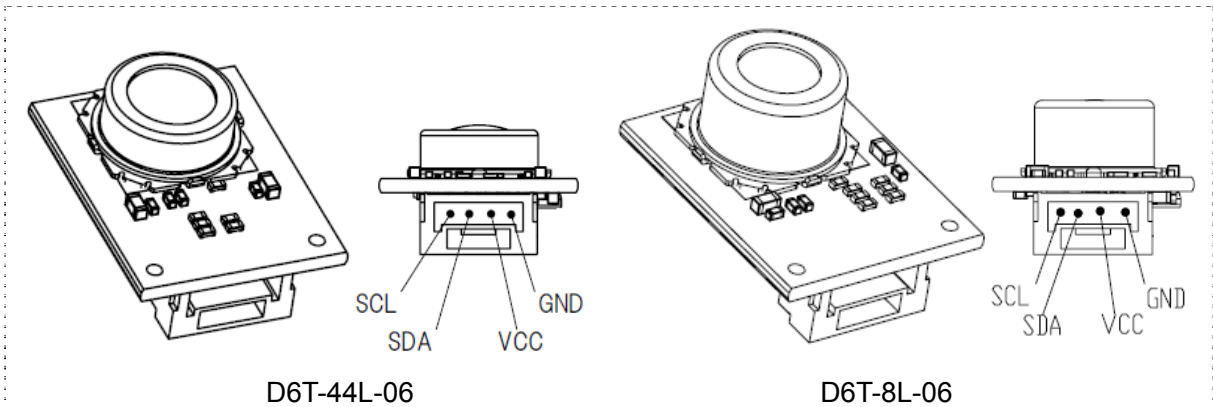


Fig.6 Connector outline

Connector pin

Table1 Pin

1	GND	Ground
2	VCC	Power source (5V +/-10%)
3	SDA	I2C(5V) Data line
4	SCL	I2C(5V) Clock line

One Connector (used inside sensor) : JST p/n SM04B-GHS-TB

To connect to the system, use the following four-pin mating connector.

Contact : JST p/n SSL-002T-P0.2 (4pcs).

Housing : JST p/n GHR-04V-S

The difference in appearance is due to the varying height of the lens. For detailed dimensions, please refer to the data sheet.

6.2 Electrical connection

Case 1: Direct connection. The voltage of MCU Power source is 5V.

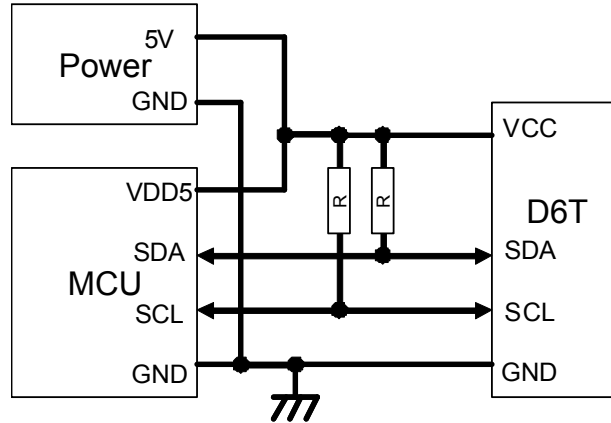


Fig.7(a) Direct connection

Case 2: Direct connection. 3V MCU (5V-tolerant I2C port)

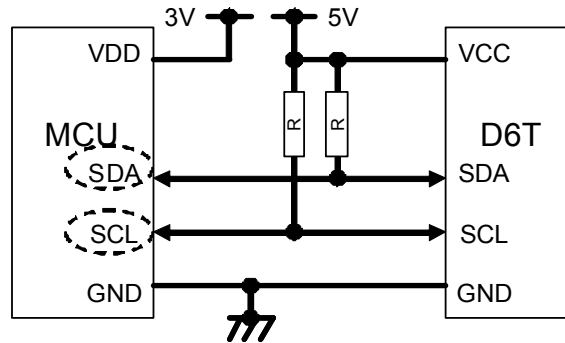


Fig.7(b) 5V-tolerant

Case 3: Using I2C level translating IC.

(not 5V-tolerant, other LV-devices exist on the same I2C-bus)

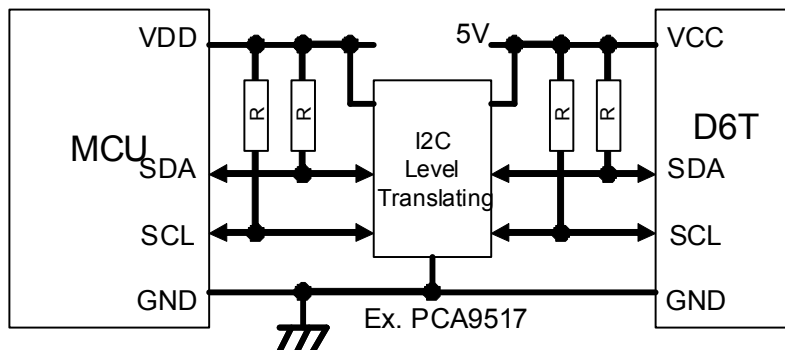


Fig.7(c) Using I2C level translating IC

Pull-Up Resistor :
 Impedance value is decided by user. (see I2C[100kHz] specification note.)
 (Most case : About 3k to 10k ohm)

Case 4: Software I2C. using Bi-directional Open Drain GPIO ports.
 (MCU has no I2C module inside.)

Note: Wait routine for Clock-Stretching is required – to be prepared by the user.

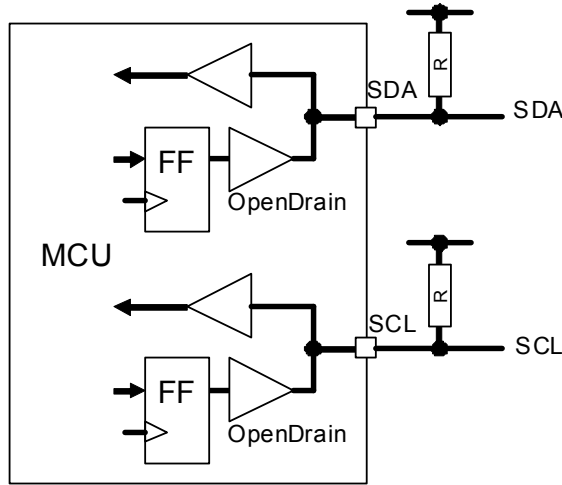


Fig.7(d) Using GPIO-ports

Case5: Using I2C bus switch IC. Ex. PCA9545(4ch) , PCA9548(8ch)
 (multiple D6T sensors)

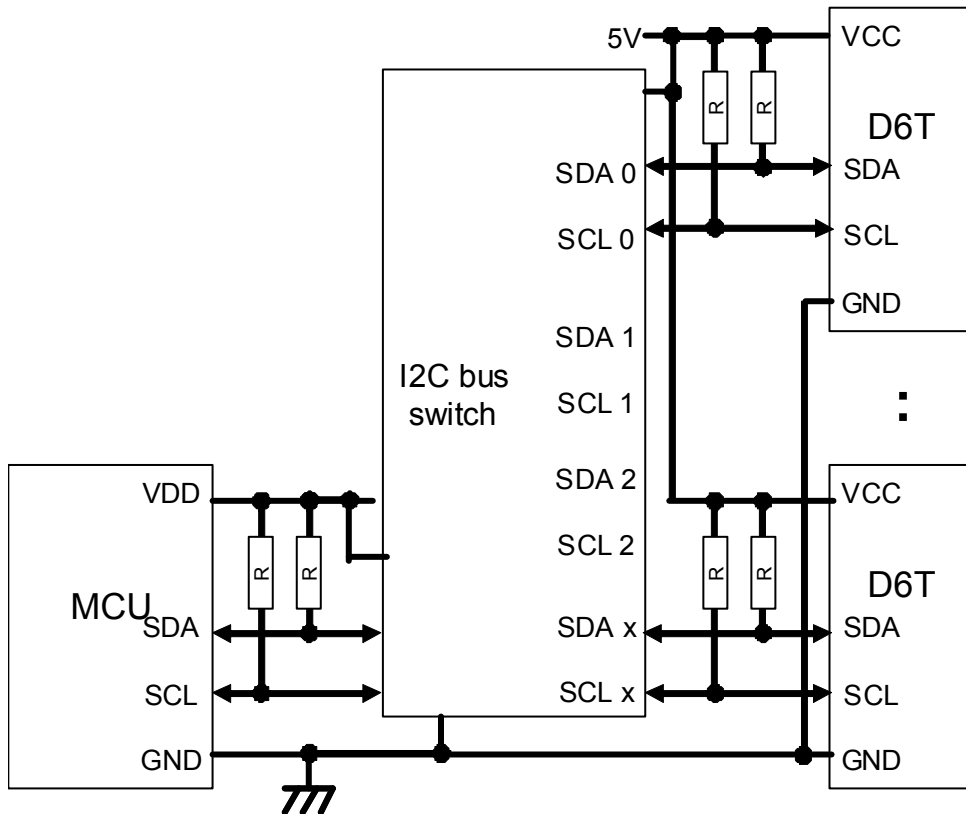
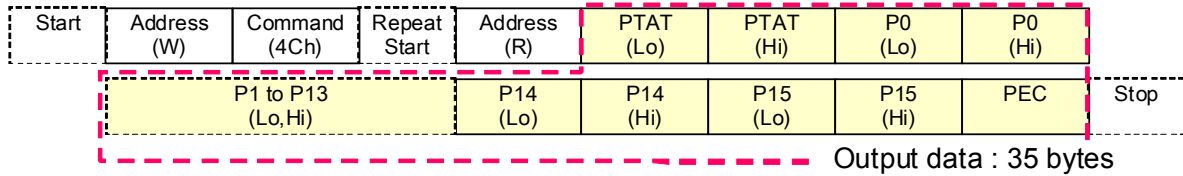


Fig.7(e) Using I2C bus switch IC

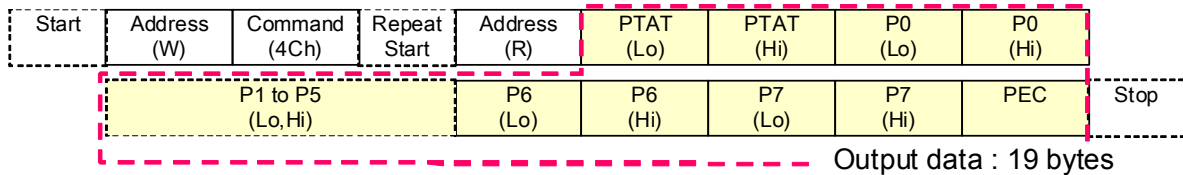
6.3 I2C port setting

Table 2 I2C port parameters

Device Address	7bit : 0001_010b 8bit (with R/W bit) Read : 15h , Write : 14h
Data bit width	8bit (MSB-first)
Clock Frequency	max 100kHz
Control for Clock-stretching	On (Auto waiting) *see Section 7.6



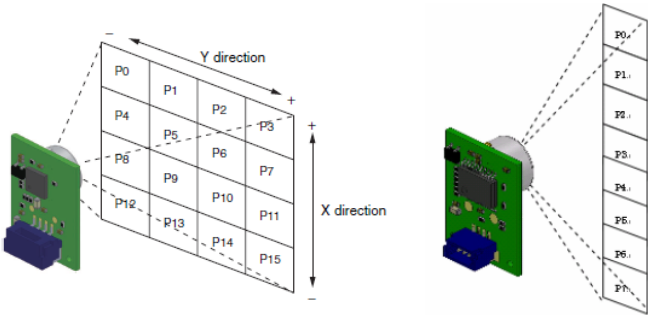
(a) 16ch (D6T-44L)



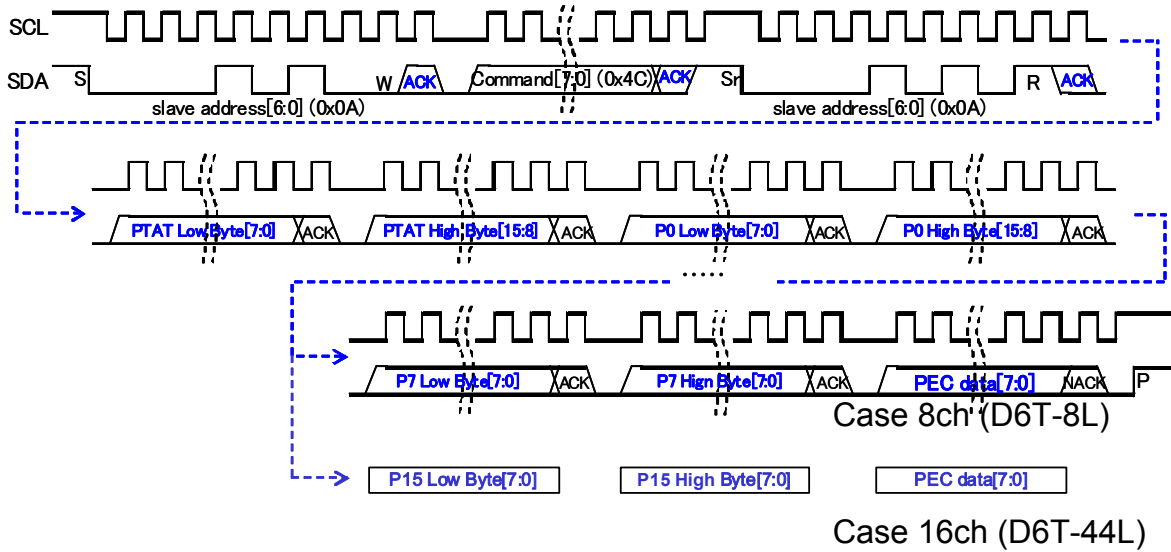
(b) 8ch (D6T-8L)

Fig.8 I2C port data chart

Table 3 Output data format

PTAT	The value of the reference temperature, inside the sensor module. Temperature data (PTAT&Pn) is 16bit-width, signed, 10 times value of degC. Example : 12.7 °C = 007Fh(127) , 25.8 °C = 0102Fh(258)
P0 to P15 (D6T-44L) P0 to P7 (D6T-8L)	Measured value. Pixel order is below. 
PEC	Packet error check code. Based on the "SM bus" specification.

Signal chart



- “S” : Start Condition
- “Sr” : Repeat Start Condition
- “P” : Stop Condition
- “W/R” : Write (Lo) / Read (Hi)
- “ACK” : Acknowledge reply
- “NACK” : No-acknowledge reply

For each term, please see the I2C specification.

Fig.9 Signal chart

Output Example (PTAT , P0,P1,···,P15 , PEC)

223 ,224,224,273,335,239,221,240,297 ,264,232,221,254,299,258,229,233 ,80

223 ,271,261,265,304,284,270,264,274 ,302,285,271,260,319,304,286,269 ,193

223 ,~~296~~,273,285,311,306,291,281,301 ,311,310,293,296,312,322,311,302 ,83

PTAT=22.3 °C , P0=29.6 °C , P1=27.3° C , P2=28.5 °C ...

Modification example (8ch : D6T-8L)

```
int D6T_getvalue()
{
    I2C_start();
    I2C_send1( 0x14 , 0x4C ); // 14h = { 0Ah(Addr7) : Write(0b) }
    I2C_repeatstart();
    I2C_getx( 0x15 , readbuff , 19 ); // 15h = { 0Ah(Addr7):Read }, 19 = 2*(1+8)+1
    I2C_stop();
    If(!D6T_checkPEC(readbuff, 18)){
        return -1; // error
    }
    tPTAT = 256*readbuff[1] + readbuff[0];
    tP[0] = 256*readbuff[3] + readbuff[2];
    tP[1] = 256*readbuff[5] + readbuff[4];
    tP[2] = 256*readbuff[7] + readbuff[6];
    tP[3] = 256*readbuff[9] + readbuff[8];
    tP[4] = 256*readbuff[11] + readbuff[10];
    tP[5] = 256*readbuff[13] + readbuff[12];
    tP[6] = 256*readbuff[15] + readbuff[14];
    tP[7] = 256*readbuff[17] + readbuff[16];
    tPEC = readbuff[18];
    return 1;
}
```

Note. This example represents a single measurement run.

This sensor repeats the operation for each of the data measurements and updates within 250ms.

Therefore, you will be able to retrieve new data about 4 times per second.

It is not possible for the user to control the measurement timing.

6.5 PEC check routine Example

PEC is the data used for the error checking method using CRC-8. PEC and is appended to the end of the communication output. You can detect communication failures using the PEC, improving the reliability of the data. (For more information, please refer to the SMBus specification)

```

unsigned char  calc_crc( unsigned char  data )
{
    int  index;
    unsigned char  temp;

    for(index=0;index<8;index++){
        temp = data;
        data <<= 1;
        if(temp & 0x80) data ^= 0x07;
    }
    return data;
}

int  D6T_checkPEC( char  buf , int  pPEC );
{
    unsigned char  crc;
    int  i;

    crc = calc_crc( 0x14 );
    crc = calc_crc( 0x4C ^ crc );
    crc = calc_crc( 0x15 ^ crc );
    for(i=0;i<pPEC;i++){
        crc = calc_crc( readbuff[i] ^ crc );
    }
    return (crc == readbuff[pPEC]);
}

```

Other case : Using Stop-Start condition without Repeat Start Condition,

```

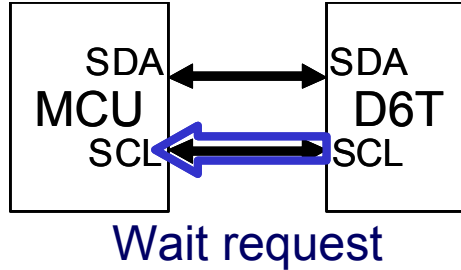
int  D6T_checkPEC( char  buf , int  pPEC );
{
    unsigned char  crc;
    int  i;

    crc = calc_crc( 0x15 );
    for(i=0;i<pPEC;i++){
        crc = calc_crc( readbuff[i] ^ crc );
    }
    return (crc == readbuff[pPEC]);
}

```

6.6 Detect routine of wait status (Clock-stretching)

Our sensor may require a wait request of the master. On the master side, it is necessary to deal with this wait process. In many I2C modules in the MCU, there is a feature that can do this automatically. However, if using the I2C software library, the user may have to deal with this wait process manually.



Wait sequence

I2C Master	I2C Slave(D6T)
a) SCL drive to Lo for Ack. (Fixed wait)	Checking SCL status.(Lo)
c) SCL output change to Hi-Z. SCL I/O mode change to Input	b) SCL drive to Lo for Wait. Wait ... : : :
d) Checking SCL status.(Hi) Checking ...	Wait finish
f) Finish Detected. SCL I/O mode change to Output	e) SCL output change to Hi-Z.
g) Next operation.	

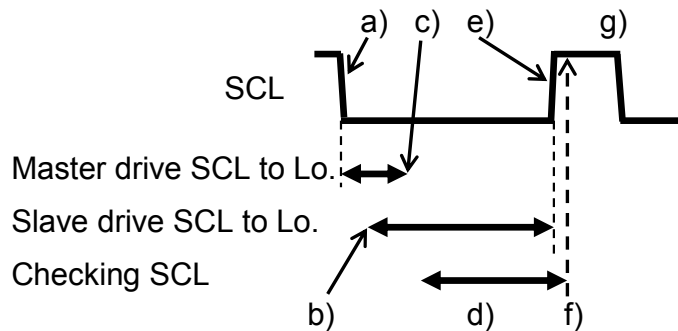


Fig.10 Detect routine of wait status

6.7 Temperature range

A: D6T-44L-06/D6T-8L-06 Recommended detection range.

B: Maximum ratings.

C: Ability range (out of ratings, for reference)

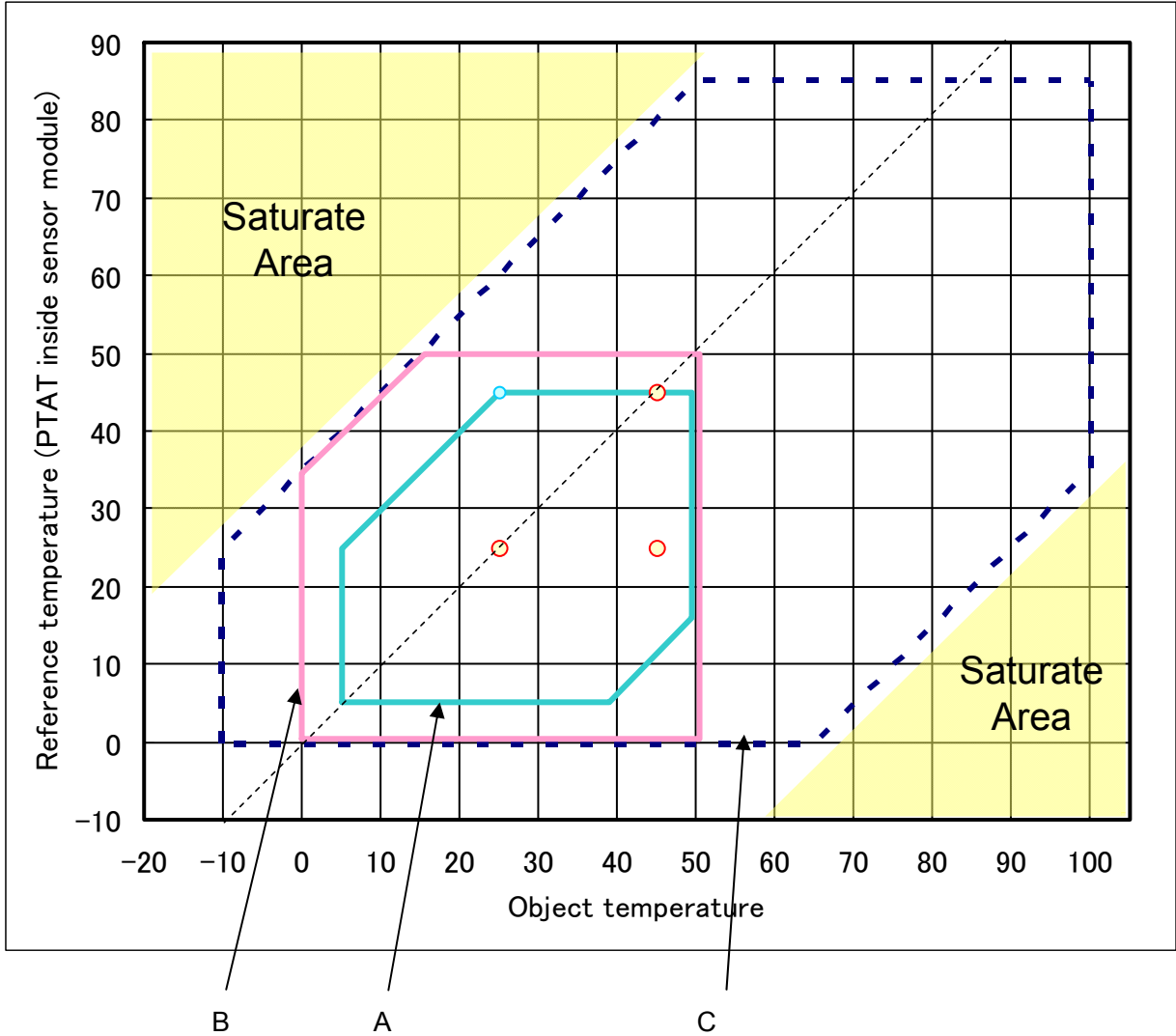


Fig.11 Temperature detection range

The temperature range of some of the electronic components is from 0 to 85° C, however, the operating temperature range of the module is limited to 0 to 50 ° C with a detection range as shown in the above diagram, figure 11.

Note: Temperature range is subjected to change, please confirm with the latest product specification.

6.8 Cover Material

If you opt to put a cover over the sensor, carefully consider the performance of the material in regards to how well it passes through radiant heat. High-density polyethylene (HDPE, grade far infrared transmission) is a good cover material option. If the cover is thick, the transmittance decreases. It is best to use as thin a cover as possible to keep a minimal impact on detection performance. The internal sensors can then show through. (as shown in the example pictured below).

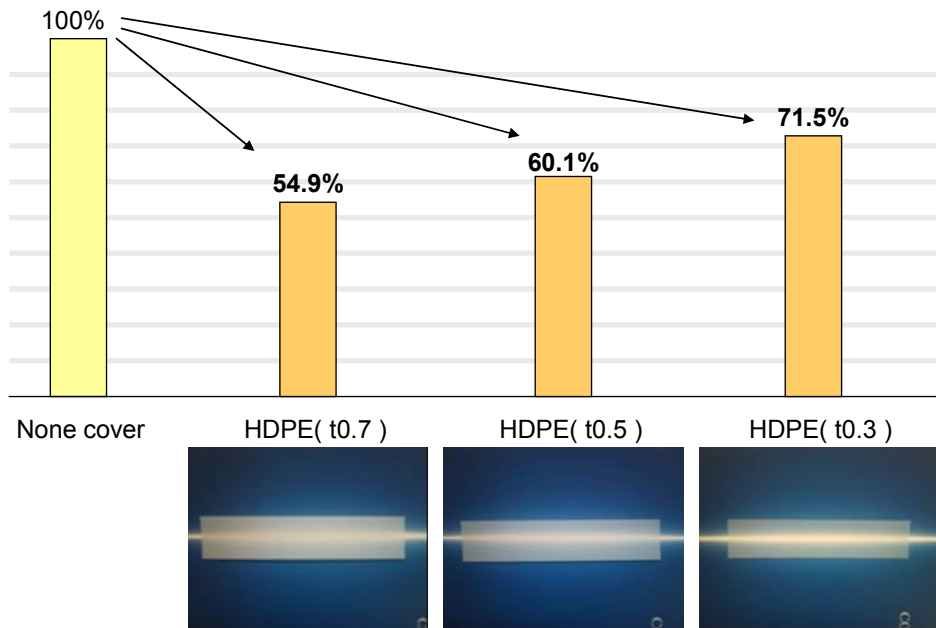


Fig.12 HDPE thickness vs. Transmittance (reference)

7 FAQ

Question	Can the field of view (FOV) angle be increased?
Answer	No. OMRON set the FOV in consideration of the constraints imposed by the thickness and refractive index of the silicon lens. Measurement distance is reduced as the FOV of one element increases. Therefore, we can not simply widen the viewing angle. A good way to measure a wide range, is to install multiple sensors, or mount the sensor on a movable/rotating base.
Question	Are there any effects on an infrared remote controller?
Answer	No. The silicon lens we are using will not pass through most near-infrared and visible light below 1.2 [μm] wavelength. Therefore, it does not affect the infrared signal of the remote controller. The far infrared rays that are emitted as radiant heat are about 4 to 14 [μm].
Question	Is it possible to distinguish between humans, animals, and appliances?
Answer	No. In the non-contact temperature module, you can only acquire surface temperature measurement data. Different objects of the same temperature will read the same. Further discrimination must be based on the behavior of the measured data to distinguish the object by software on the user side. By developing software designed with your specific application in mind, the determination accuracy may possibly be improved.
Question	What is the distance range that can detect the presence of people?
Answer	This is greatly affected by the decision performance and software installation conditions. It is also affected by the size of the object to be measured and the area of the FOV per element. A rough guideline distance is about 5 to 6 meters.
Question	Can the power consumption be reduced?
Answer	No. The D6T thermal sensor does not have a power saving mode. Therefore, in order to reduce power consumption it is necessary to shut off the power.
Question	Is there a sensor that can operate on a supply voltage of 3[V]? Is there an I2C slave address that I can change?
Answer	No. The D6T thermal sensor does not support them.

8 Glossary

- **Thermopile**
Thermal sensors utilize the Seebeck effect in which thermoelectric force is generated due to the temperature difference at the contact points between two different kinds of metal. A thermopile is created by serially connecting thermocouples. By creating hot junctions on highly heat-resistant dielectric membranes, and cold junctions on highly heat-conductive silicon, it is possible to achieve high-speed response and high-energy conversion efficiency.

- **NETD**
Noise Equivalent Temperature Difference.
Definition: An indication of the amount of noise that is expressed as a temperature. It becomes a measure of the minimum value of the change in the measured temperature that can be determined. It is sometimes referred to as temperature resolution.

- **FOV**
Field of View. FOV range is often defined in the range 50% of the peak sensitivity.

I2C is a registered trademark of Philips.

SMBus is a registered trademark of Intel Corporation.

9 WARRANTY AND LIMITED LIABILITY

Thank you for your usage of products of Omron Corporation (“Omron”). Without any special agreements, this Terms and Conditions shall apply to all transactions regardless of who sells. Place an order, accepting this Terms and Conditions.

1. DEFINITIONS

The following terms used herein have following meaning.

- (1) Omron Products; Electronic components sold by Omron
- (2) Catalogues; Any and all catalogues (including the Components Catalogue), specifications, instructions and manuals relating to Omron Products, including electronically provided data.
- (3) Conditions; Use conditions, rating, performance, operating environment, handling procedure, precautions and/or prohibited use of Omron Products described in the Catalogues.
- (4) User Application(s); Application of Omron Products by a customer, including but not limited to embedding Omron Products into customer’s components, electronic circuit boards, devices, equipments or systems
- (5) Fitness; (a)performance, (b) no infringement of intellectual property of third party, (c) compliance with laws and regulations and (d)conformity to various standards by Omron Products in User Applications.

2. NOTE ABOUT DESCRIPTIONS

Please understand following as to contents of the Catalogues.

- (1) Rating and performance is tested separately. Combined conditions are not warranted.
- (2) Reference data is intended to be used just for reference. Omron does NOT warrant that the Omron Product can work properly in the range of reference data.
- (3) Examples are intended for reference. Omron does not warrant the Fitness in usage of the examples.
- (4) Omron may discontinue Omron Products or change specifications of them because of improvements or other reasons.

3. NOTE ABOUT USE

Please understand followings as to your adoption and use of Omron Products

- (1) Please use the product in conformance to the Conditions, including rating and performance.
- (2) Please confirm the Fitness and decide whether or not Omron Products are able to be adopted in the User Application.
- (3) Omron will not warrant any items in 1.(5) (a) to (d) of User Application nor the Fitness.
- (4) If you use Omron Products in the application below, please ensure followings; (i) allowance in aspect of rating and performance, (ii) safety design which can minimize danger of the Application when the product does not work properly and (iii) periodical maintenance of the product and the Application.
 - (a) Applications requiring safety, including, without limitation, nuclear control facilities, combustion facilities, aerospace and aviation facilities, railroad facilities, elevating facilities, amusement facilities, medical facilities, safety devices or other applications which has possibility to influence lives or bodies
 - (b) Applications requiring high reliability, including, without limitation, supplying systems of gas, water and electric power and applications handling right, title, ownership or property, such as

payment systems

- (c) Applications in a harsh condition or environment, including, without limitation, outdoor facilities, facilities with potential of chemical contamination or electromagnetic interference, facilities with vibration or impact and facilities on continual operation for a long period
- (d) Applications under conditions or environment which are not described in this specification
- (5) Omron Products shown in this catalogue are not intended to be used in automotive applications (including two wheel vehicles). Please DO NOT use the Omron Products in the automotive application.
- (6) THE PRODUCTS CONTAINED IN THIS CATALOG ARE NOT SAFETY RATED. THEY ARE NOT DESIGNED OR RATED FOR ENSURING SAFETY OF PERSONS, AND SHOULD NOT BE RELIED UPON AS A SAFETY COMPONENT OR PROTECTIVE DEVICE FOR SUCH PURPOSES. Please refer to separate catalogs for OMRON's safety rated products.

4. WARRANTY

Warranty of Omron Products is subject to followings.

- (1) Warranty Period; One year after your purchase
- (2) Warranty; Omron will provide, free of charge, replacements of the same number of malfunctioning products
- (3) Exceptions; This warranty does not cover malfunctions caused by any of the following.
 - (a) Usage in the manner other than its original purpose
 - (b) Usage out of the Conditions
 - (c) Cause which could not be foreseen by the level of science and technology at the time of shipment of the product
 - (d) Cause outside Omron or Omron Products, including force majeure such as disasters

5. LIMITATION ON LIABILITY

THE WARRANTY DESCRIBED IN THIS "TERMS AND CONDITIONS" IS A WHOLE AND SOLE LIABILITY FOR OMRON PRODUCTS. THERE ARE NO OTHER WARRANTIES, EXPRESSED OR IMPLIED. OMRON AND DISTRIBUTORS ARE NOT LIABLE FOR ANY DAMAGES ARISEN FROM OR RELATING TO OMRON PRODUCTS.

6. PROGRAMMABLE PRODUCTS

OMRON shall not be responsible for the user's programming of a programmable product, or any consequence thereof.

7. EXPORT CONTROLS

Buyer shall comply with all applicable laws and regulations of Japan and/or other related countries at the time of export or provision to non-citizens of Omron Products or their technical information.

EC200E

10 Contact

- **OMRON Electronic Components Web**

<http://www.omron.com/ecb/index.html>

- **Contact Us**

For further inquiry such as delivery, price, sample and/or specification, please contact your local agency or Omron sales representative.

- **Global Sales Office**

<http://www.omron.com/ecb/service/network.html>

- **Mail Contact**

<http://www.omron.com/ecb/contact/index.html>

- **Phone**

Micro Devices Division Tel: **(81) 77-588-9200**
686-1 Ichimiyake, Yasu, Shiga, 520-2362 JAPAN

Place an order, accepting this Terms and Conditions.

<http://www.omron.com/ecb/products/order/index.html>

11 History

Revision	DATE	Note
Rev 1.0	July01, 2012	New Released
Rev 2.0	Oct01, 2013	Revised