

|                 |      |       |
|-----------------|------|-------|
| Drawing No.     | Rev. | Page  |
| CWA9S-24-CD-W18 | E    | 1 / 2 |

## SPECIFICATIONS

### [General Specifications]

|                                                    |                                                                                                        |       |
|----------------------------------------------------|--------------------------------------------------------------------------------------------------------|-------|
| Model                                              | CWA9S-24-CD                                                                                            |       |
| Color Code                                         | CD                                                                                                     |       |
| Luminous Color                                     | Daylight                                                                                               |       |
| Color Temperature (typ.)                           | 6500 K                                                                                                 |       |
| Illuminance (at 24V DC, 1m)                        | 330lx                                                                                                  |       |
| Total Luminous Flux (at 24V DC)                    | 1155lm                                                                                                 |       |
| Rated Voltage                                      | 24V DC (Polarized)                                                                                     |       |
| Operating Voltage Range                            | Rated Voltage $\pm$ 10%                                                                                |       |
| Signal Wire Current<br>(Rated Current Consumption) | Typ.                                                                                                   | 540mA |
|                                                    | Max.                                                                                                   | 594mA |
| Operating Ambient Temperature                      | -30 °C to +60 °C                                                                                       |       |
| Operating Ambient Humidity                         | Less than 90% (No condensation)                                                                        |       |
| Storage Ambient Temperature                        | -35 °C to +65 °C                                                                                       |       |
| Storage Ambient Humidity                           | Less than 90% (No condensation)                                                                        |       |
| Mounting Direction                                 | All Directions                                                                                         |       |
| Protection Rating                                  | IP65 (IEC 60529)<br>(Cable connection ends not included)                                               |       |
| Vibration Resistance                               | 19.6 m/s <sup>2</sup><br>(30Hz, Back and Forth, Up and Down, Left and Right for 2 hrs. each)           |       |
| Mass                                               | 530 $\pm$ 25g                                                                                          |       |
| Outer Dimensions                                   | Refer to the Outer Dimension Drawing                                                                   |       |
| Conformity Standards                               | EMC Directive (EN 55015, EN 61000-6-2)<br>RoHS Directive (EN IEC 63000)<br>UL Listed (File No.E306141) |       |
| Remarks                                            | · Due to the inherent properties of the LED, color variations and hue may occur.                       |       |

1

2

3

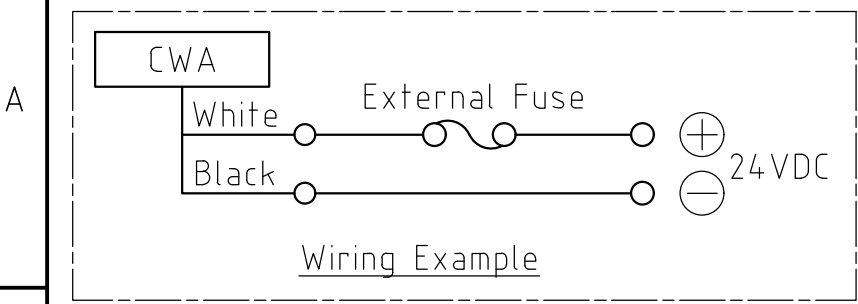
4 ▽

5

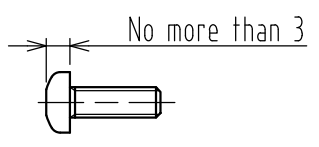
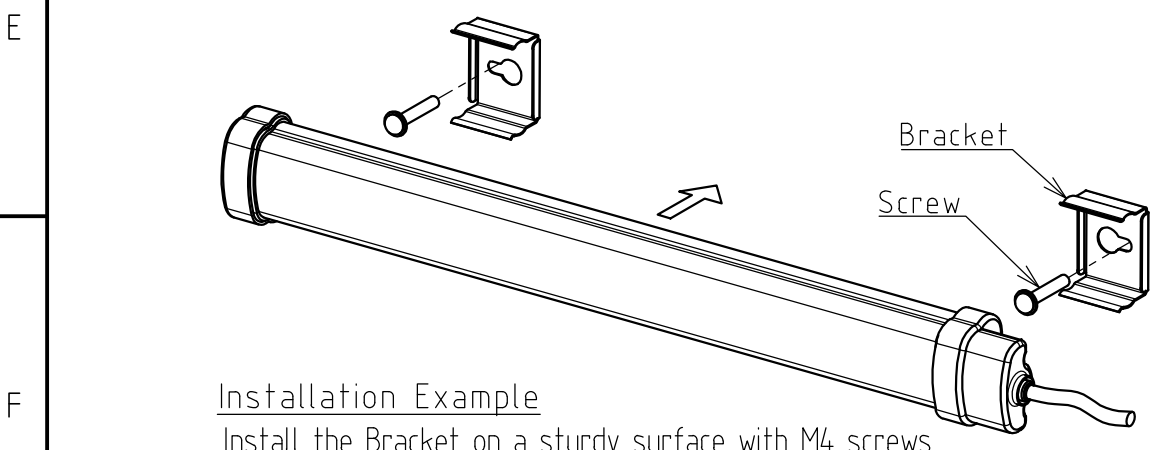
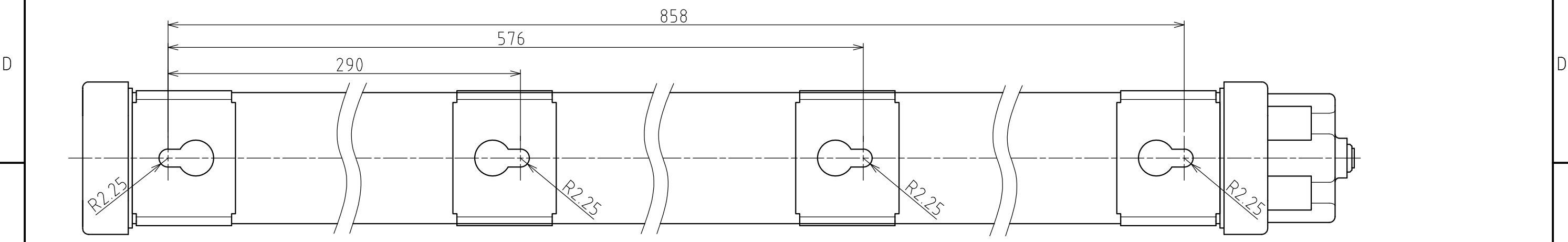
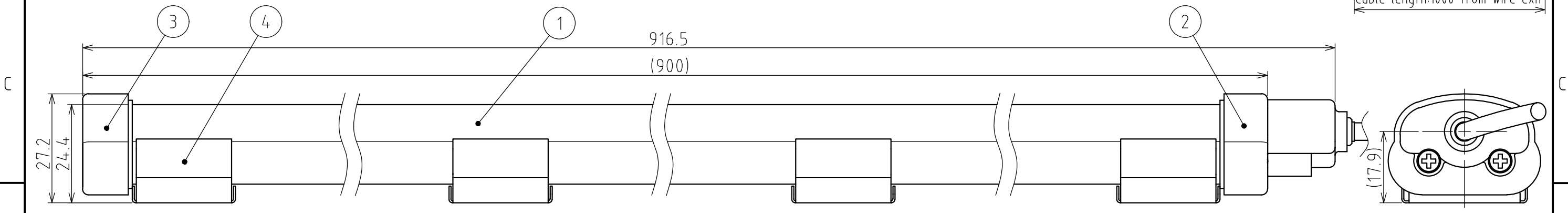
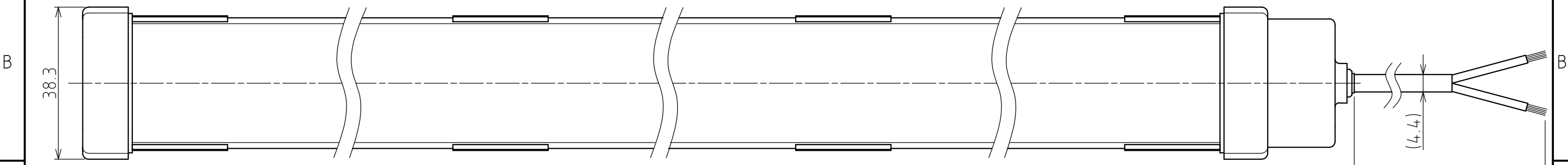
6

7

8



|                                   |                                     |    |     |      |            |    |      |     |      |                                   |            |             |                   |     |     |
|-----------------------------------|-------------------------------------|----|-----|------|------------|----|------|-----|------|-----------------------------------|------------|-------------|-------------------|-----|-----|
| 指定<br>外公差<br>General<br>Tolerance | 角度公差 ±[°]                           |    |     |      | 寸法公差 ±[mm] |    |      |     |      | 図番 Drawing No.<br>CWA9S-24-CD-W18 | 改訂<br>Rev. | 年月日<br>Date | 改訂履歴<br>Revisions |     |     |
|                                   | 短辺<br>長さ<br>Length of<br>short side | ~  | ~   | ~100 | 6          | 30 | 120  | 300 | 1000 |                                   |            |             |                   |     |     |
|                                   | 精<br>f                              | 10 | 50  | 100  | 精          | f  | 0.05 | 0.1 | 0.2  |                                   |            |             |                   | 0.4 | 0.6 |
|                                   | 粗<br>c                              | 1  | 0.5 | 0.3  | 0.1        | 中  | m    | 0.1 | 0.3  |                                   |            |             |                   | 0.5 | 0.7 |
|                                   |                                     |    |     |      | 粗          | c  | 0.3  | 0.5 | 1    | 1.2                               | 2          |             |                   |     |     |



|           |                  |            |               |
|-----------|------------------|------------|---------------|
| 4         | Bracket          | 4          | SUS           |
| 3         | End Cap B        | 1          | PC(White)     |
| 2         | End Cap A        | 1          | PC(White)     |
| 1         | Cover            | 1          | PC(Clear)     |
| 番号<br>No. | 部品名<br>Part Name | 数量<br>Qty. | 記事<br>Remarks |

|             |             |                  |   |            |                          |
|-------------|-------------|------------------|---|------------|--------------------------|
| 機種<br>Model | CWA9S-24-CD | 特注No.<br>S.P.No. | - | 図名<br>Name | Outer Dimensions Drawing |
|-------------|-------------|------------------|---|------------|--------------------------|

|                   |   |             |   |                     |            |    |                             |
|-------------------|---|-------------|---|---------------------|------------|----|-----------------------------|
| 品目コード<br>Part No. | - | 尺度<br>Scale | - | 三角法<br>3rd Angle P. | 単位<br>Unit | mm | 株式会社<br>PATLITE Corporation |
|-------------------|---|-------------|---|---------------------|------------|----|-----------------------------|

1

2

3

4 △

5

6

7

8