

◆ **Features:**

- common anode control for RGB LED strips
- radio frequency control RF
- low power consumption
- 24 months warranty
- suitable for power supplies
- suitable for RGB amplifiers
- PWM output
- Transmitter and receiver in one set
- Easy connection

◆ **Photo:**

CE



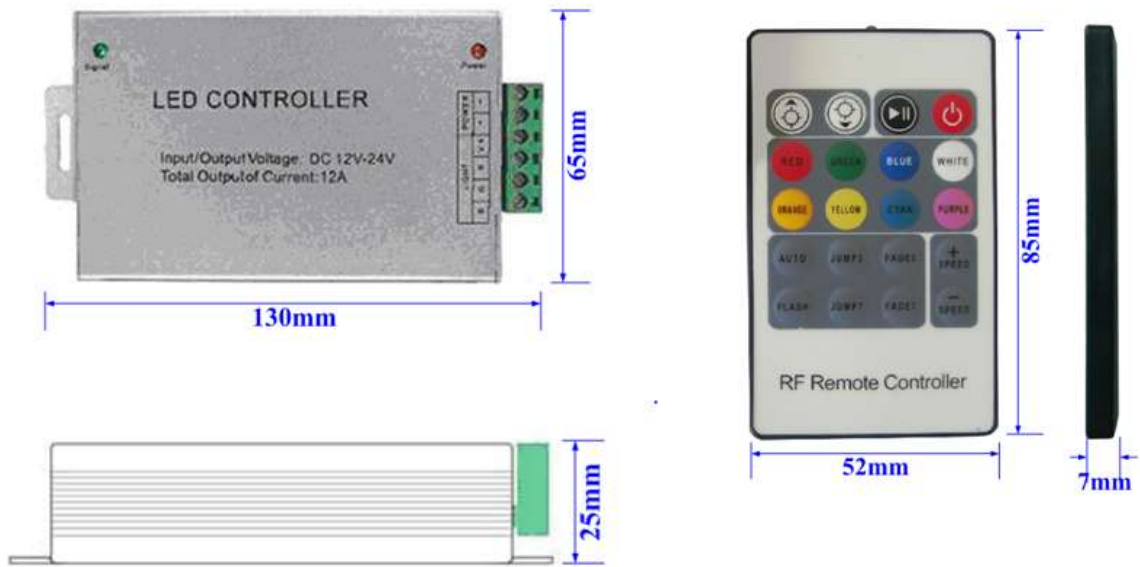
Input	Working voltage	12Vdc +/- 5% 24Vdc +/- 5%
	Static power consumption	1W
	Supply connector	Plug 2,1x5,5mm or screw terminal
Output	Output type	PWM
	Output voltage*	0-12V 0-24V
	Channel quantity	3 (R,G,B)
	Single channel max. current	4A
	Full channel max current	12A
	Max single output power	48W (for 12Vdc) 96W (for 24Vdc)
	Max full channel output power	144W (for 12Vdc) 288W (for 24Vdc)
	Type control	Common anode**
Control	Transmission	Radio frequency (RF)
	Transmitter	20key transmitter
	Range	70m open area 25m close area
	Match code	Yes
	Static mode	Yes
	Dynamic mode	Yes
Other	Working temp.	-20...+40°C
	Weight netto	180g
	Weight brutto	210g
	Controller dimension L x W x H	130 x 65 x 25 mm
	Package dimension L x W x H	135 x 80 x 54 mm
	Warranty	24m

* depends on working voltage

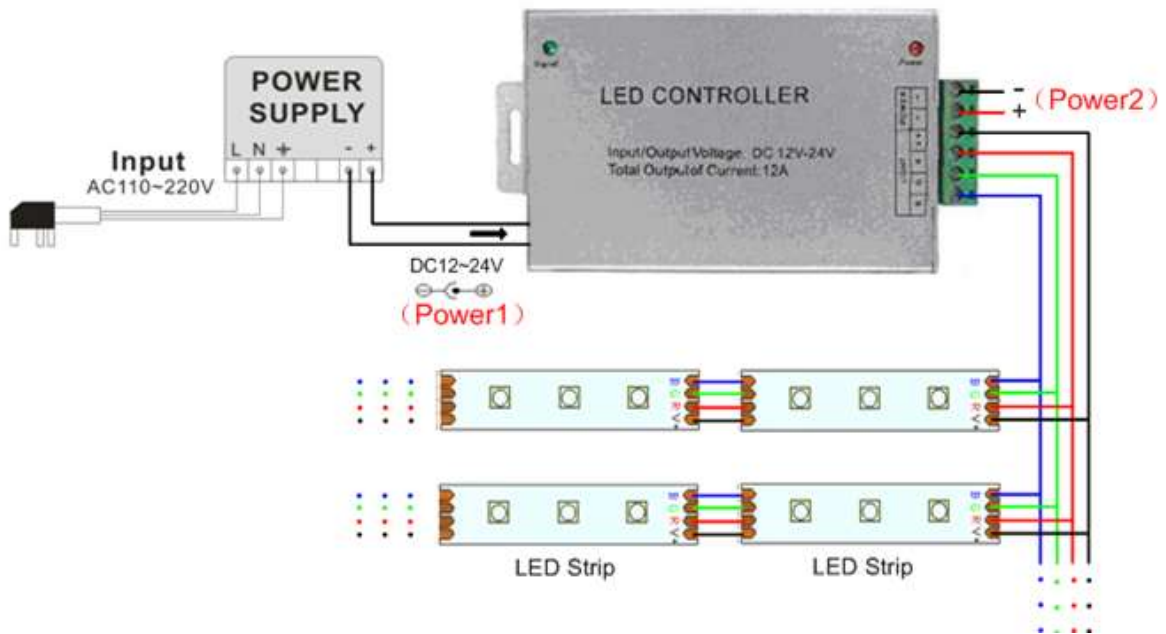
** with common "+"

*** match code helps do not interference two controllers working in the same area

◆ OUTPUT DIMMENSION



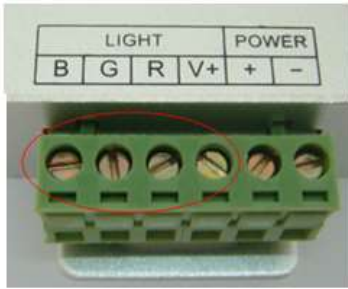
◆ TYPICAL APPLICATION



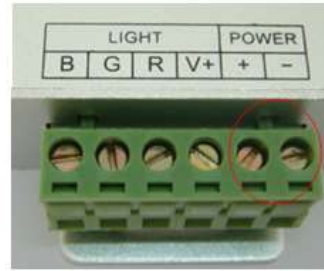
Switching power supply can be connect to the **Power1**, or to the **Power2**.

◆ **CONNECTOR DESCRIPTION**

RGB load



Switching power supply



◆ **REMOTE KEY DESCRIPTION**

Brightness +	Brightness -	pause	ON/OFF
Static red	Static green	Static blue	Static white*
Static orange	Static yellow	Static cyan	Static purple
Auto run**	Three color jump	Three color fade	Speed +
Flash	Seven color jump	Seven color fade	Speed -

* white colour is not pure white, can be hue of other colours

** auto mode select one of the dynamic mode