

◆ Features:

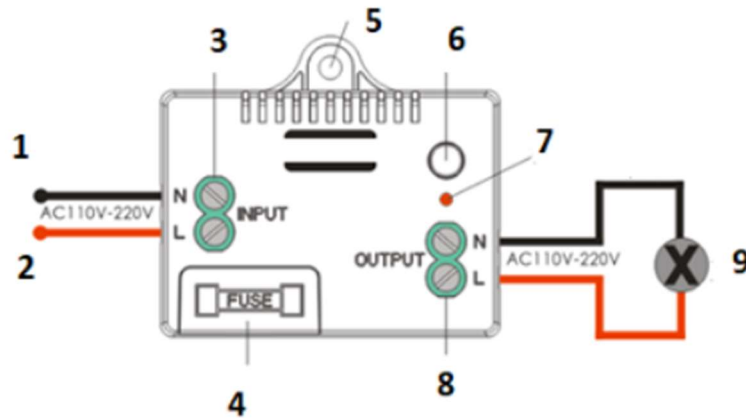
- ON/OFF wireless control
- compatible with LED power supplies and bulbs
- RF 433MHz transmission
- batteryless controller, self-powered switch (kinetic energy supply)
- up to 5 controller paired to one switch

◆ Photo: **CE**



	<b>Model</b>	<b>CTR-LUNA230-1SS1C</b>
		One single switch, one controller
<b>Controller</b>	<b>Rated voltage</b>	230VAC 50Hz
	<b>Output current</b>	5A max, (relay)
	<b>Max. Output power</b>	1000W (resistance), 200W (induction)
	<b>Stanb-by</b>	<0,15W
	<b>Dimmensions (LxWxD)</b>	60 x 43 x 27,5 mm
	<b>Weight</b>	65g
	<b>Montage</b>	Screw, adhesive tape
	<b>Terminal</b>	Screw treminal
<b>Switch</b>	<b>Transmission</b>	RF 433MHz, FSK/ASK
	<b>Supply</b>	Kinetic energy (self-powered)
	<b>Buttons</b>	1
	<b>On/Off cycles</b>	>200 000
	<b>Range</b>	200m outdoor 50m indoor
	<b>Montege</b>	Screw, adhesive tape
	<b>Dimmension (LxWxD)</b>	86 x 86 x 15 mm
	<b>Weight</b>	70g
<b>Others</b>	<b>Working temp.</b>	0...40 °C
	<b>Frequency</b>	433 MHz
	<b>Remote q-ty</b>	Up to 5 controllers
	<b>Weight brutto</b>	
	<b>regulations</b>	NE 61058-1:2002+A2: 2008 GB14536.1-2008
	<b>Warranty</b>	24 months

### CONNECTING DIAGRAM



1	Phase wire	6	Programming switch
2	Neitral wire	7	LED indicator
3	Input terminal	8	Output terminal
4	Fuse	9	Load
5	Mouting grip		