

INSTALLATION MANUAL:

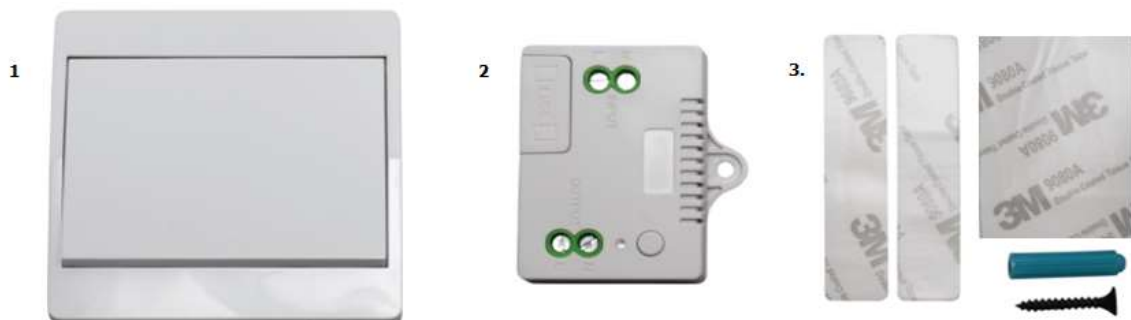
MW-CTR-LUNA230-1SS1C is a special design set to provide remote switch on/off 230V electrical devices. It's no need to use cables between switch and controller. It's very useful in LED lighting systems.

Warning!

The 230V electrical connection need to be done by an electrician with permission to connect.

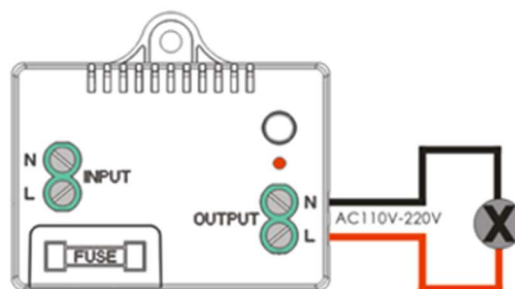
The kit include:

1. Wireless remote switch (self powered)
2. Controller
3. Screws and adhesive tape.

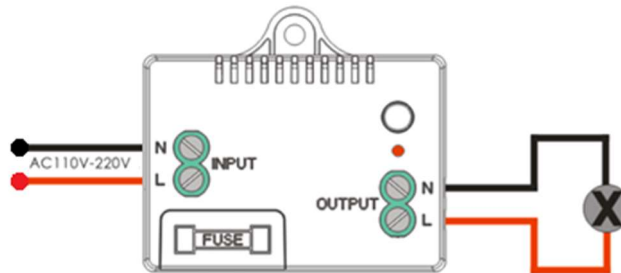


1. Connect the load to OUTPUT L,N terminal. Pay attention to do not connect higher load then rated output power (1000W in resistance load, 200W in inductive load)

L – Live wire,
N – neutral wire.

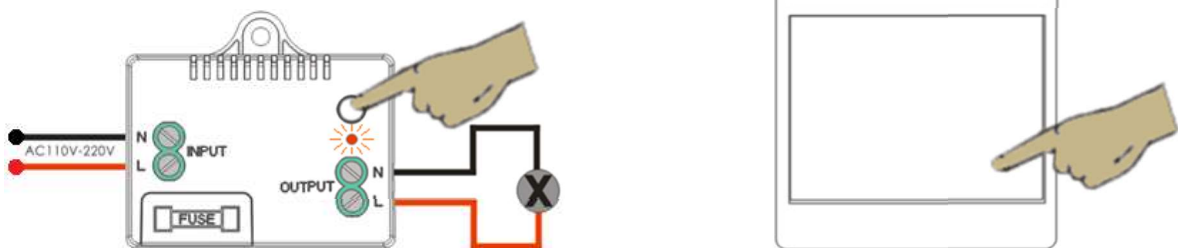


2. Connect the mains supply wires to INPUT L,N terminal. During connection mains voltage cannot be connected.



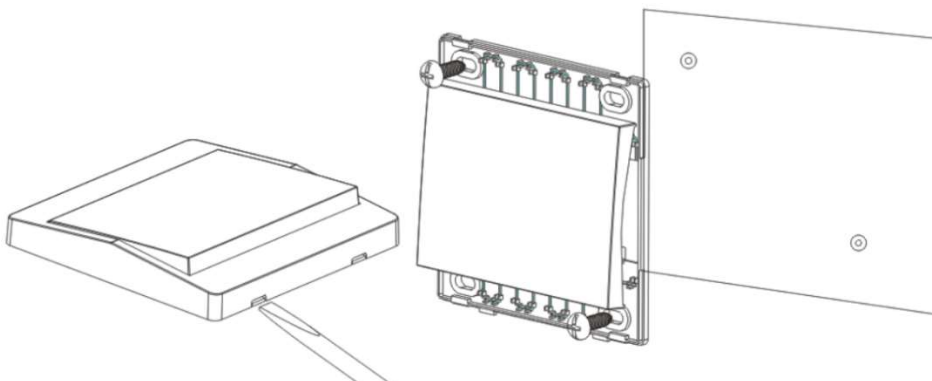
L – Live wire,
N – neutral wire.

3. .Switch on the mains power supply, and you can start pairing procedure.
For pairing push the switch button on the controller for 3 seconds after power-on. . LED will start flashing. Then push the remote switch once.



Attention: For one controller, you can pair up 5 remote switches. If you start to pair more than 5 (6,7....), then according the FIFO rulez first programmed switches will be cancelled automatically from controlles memory.

4. Using the adhesive tape, or mouting screws install the switch to indoor flat surface.
5. Using flat screwdriver you can open the switch front case to estetic montage.



6. After correct connection and pairing, the controller will switch the load ON/OFF alternately just after push the switch button.

Notice:

One controller can work with up 5 switches located in different places.

One switch can work with few controllers.

The range is 50m in close area, and 200m in open area.

Installation in metal case, can reduce the range a lot.