

◆ Features:

- ON/OFF wireless control
- compatible with LED power supplies and bulbs
- RF 433MHz transmission
- batteryless controller, self-powered switch (kinetic energy supply)
- up to 5 controller paired to one switch

◆ Photo:



CTR-LUNA230-2DS2C



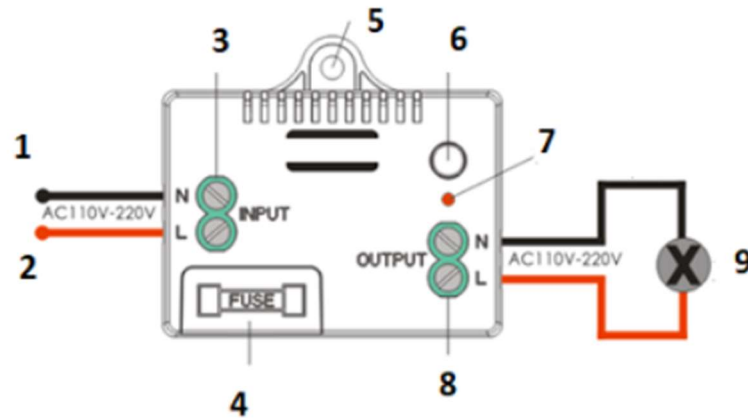
CTR-LUNA230-1DS



CTR-LUNA230-1C

	Model	CTR-LUNA230-1DS2C
		One double switch, two controllers
Controller	Rated voltage	230VAC 50Hz
	Output current	5A max, (relay)
	Max. Output power	1000W (resistance), 200W (induction)
	Stanb-by	<0,15W
	Dimmensions (LxWxD)	60 x 43 x 27,5 mm
	Weight	65g
	Montage	Screw, adhesive tape
	Terminal	Screw treminal
Switch	Transmission	RF 433MHz, FSK/ASK
	Supply	Kinetic energy (self-powered)
	Buttons	2
	On/Off cycles	>200 000
	Range	200m outdoor 50m indoor
	Montege	Screw, adhesive tape
	Dimmension (LxWxD)	86 x 86 x 15 mm
	Weight	70g
Others	Working temp.	0...40 °C
	Frequency	433 MHz
	Remote q-ty	Up to 5 controllers
	Weight brutto	
	regulations	NE 61058-1:2002+A2: 2008 GB14536.1-2008
	Warranty	24 months

◆ CONNECTING DIAGRAM



1	Phase wire	6	Programming switch
2	Neitral wire	7	LED indicator
3	Input terminal	8	Output terminal
4	Fuse	9	Load
5	Mouting grip		