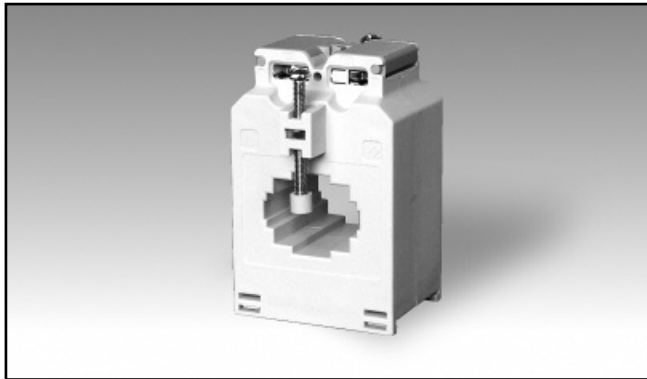


# Accessories

## AC Current Transformer (max 30x10 mm bus-bar)

### Type CTD-2X

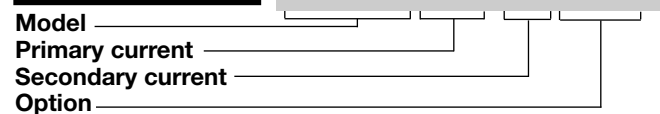


- Bus-bar type current transformer
- 0.5 class, currents from 40 to 600 A
- Integrated DIN-rail mounting holder
- Removable panel fixing clips
- 2 Bus-bar isolated fixing screws
- Double screw terminals (up to 8-wire connections)
- Sealable terminal block covers

### Product Description

Cable/Bus-bar type current transformer with DIN-rail/bus-bar and panel mounting facilities. Rated primary currents from 40 A to 600 A.

### Ordering Key **CTD-2X 200 5A XXX**



### Optional fixing kit: **CTD-kit**

### Type Selection

| Primary current                           | Secondary current | Option                            |
|---|-------------------|-----------------------------------|
| From 40 to 600A<br>(Refer to Range Table) | 1A<br>5A          | XXX: none<br>XTX: tropicalization |

### Input Specifications

|  |   |   |
|--|---|---|
| Operating frequency                                | 45 to 65 Hz   |   |
| Max. system voltage                                | 0.72 kV   |   |
| Rated insulation level                             | 3 kV/1 min. @ 50 Hz   |   |
| Insulation class                                   | E (max 75°C)  |   |
| Short-time current rating<br>$I_{th}$<br>$I_{dyn}$ | Typical 100 $I_n$ / 1 s<br>2.5 $I_{th}$<br>The short-time thermal current $I_{th}$ is anyway limited by the cable/ bus-bar size | Six plastic caps for cable/bus-bar fixing screws.   |
| Extended current rating                            | 120%  | <b>Special features</b>   |
| Security factor (FS)                               | ≤ 5 (Class: 0.5, 1 and 3)   | 1 A secondary current, Tropicalization  |
|  |   | <b>Working temperature</b>  |
|  |   | -25°C to +60°C (-13°F to 140°F) (R.H. < 90% non condensing @ 40°C)  |
|  |   | <b>Storage temperature</b>  |
|  |   | -30°C to +70°C (-22°F to 158°F) (R.H. < 90% non condensing @ 40°C)  |
|  |   | <b>Approvals</b>  |
|  |   | CE, cUrus and CSA   |
|  |   | <b>Connection</b>   |
|  |   | Screw type<br>Cable cross section area  |
|  |   | From 1.5 to 6 mm <sup>2</sup><br>Min/Max screws tightening torque relevant to terminal block screws:<br>From 1 to 2 Nm<br>Max screws tightening torque relevant to the cable/bus-bar fixing screws:<br>0,3 Nm |
|  |   | <b>Protection degree</b>  |
|  |   | IP00<br>IP20 (with sealable terminal block covers + wire terminals)   |
|  |   | <b>Cable diameter</b>   |
|  |   | Max. 24 mm  |
|  |   | <b>Bus-bar size</b>   |
|  |   | Horizontal  |
|  |   | Max. 32x5; 30x10; 25x20 mm  |
|  |   | Vertical  |
|  |   | Max. 25x12 mm   |
|  |   | <b>Weight</b>   |
|  |   | From 350 to 500 g   |

### General Specifications

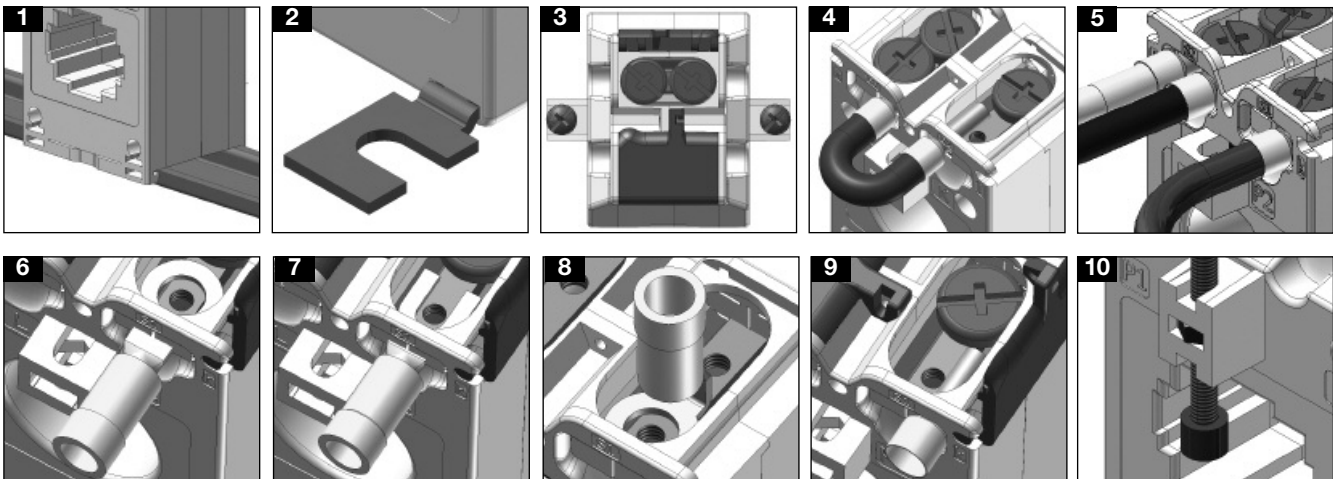
|                              |  |
|------------------------------|--|
| Standards                    | According to EN61869-2   |
| Housing                      | ABS, self-extinguishing:<br>UL 94 V-0  |
| Mounting                     | DIN-rail bus-bar and panel mounting  |
| Standard accessories         | Two terminal block screws.<br>Two cable/bus-bar fixing screws.<br>Two sealable terminal block covers.<br>Two panel mounting fixing clips.<br>Two plastic caps for cable/bus-bar fixing screws. |
| Optional accessories         | Extended fixing kit: CTD-kit<br>Two panel mounting fixing clips.<br>Six cable/bus-bar fixing screws.   |
| <b>Output Specifications</b> |  |
| Rated secondary current      | 5 A or 1 A   |

## Range Table

| Model CTD-2X from 40A to 125A |             |      |      |
|-------------------------------|-------------|------|------|
| Primary Current               | Burden (VA) |      |      |
|                               | CL 0.5      | CL 1 | CL 3 |
| 40 (@60°C/140°F)              |             |      | 1.25 |
| 50 (@60°C/140°F)              |             |      | 1.5  |
| 60 (@60°C/140°F)              |             |      | 2    |
| 70 (@60°C/140°F)              |             |      | 2.5  |
| 75 (@60°C/140°F)              |             | 1.75 | 2.5  |
| 80 (@60°C/140°F)              |             | 2    | 2.75 |
| 100 (@60°C/140°F)             |             | 2.5  | 3    |
| 120 (@60°C/140°F)             |             | 2.75 | 3.75 |
| 125 (@60°C/140°F)             | 2           | 2.75 | 3.75 |

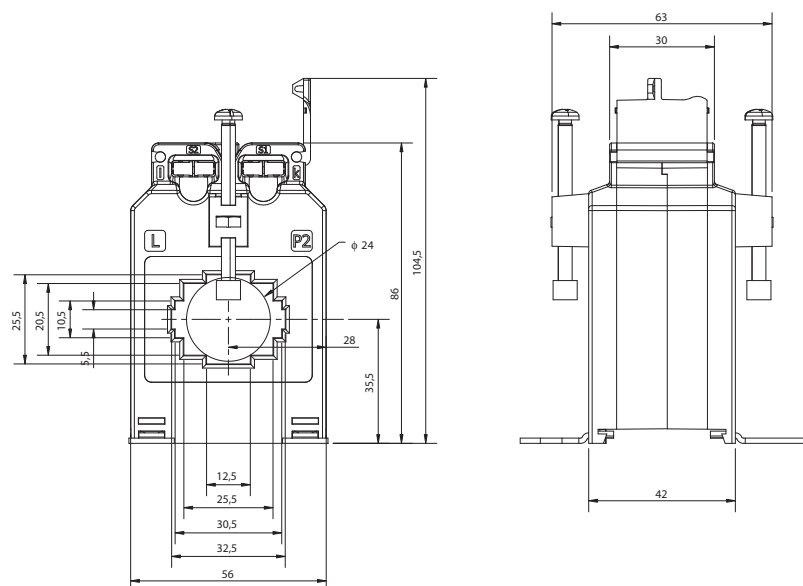
| Model CTD-2X from 150A to 600A |             |      |      |
|--------------------------------|-------------|------|------|
| Primary Current                | Burden (VA) |      |      |
|                                | CL 0.5      | CL 1 | CL 3 |
| 150 (@60°C/140°F)              | 3           | 4    | 5    |
| 160 (@60°C/140°F)              | 3           | 4    | 5    |
| 200 (@60°C/140°F)              | 4           | 5    | 6.5  |
| 250 (@60°C/140°F)              | 5.5         | 7    | 8    |
| 300 (@60°C/140°F)              | 7           | 8.5  | 9.5  |
| 400 (@50°C/122°F)              | 12          | 13.5 | 14.5 |
| 500 (@50°C/122°F)              | 14          | 15.5 | 16.5 |
| 600 (@40°C/104°F)              | 17.5        | 19   | 20   |

## Benefits



- Easy and quick mounting either on a panel or on a DIN-rail (see figure 1-2).
- Protection of screw terminals using specific sealable covers to assure always the best safety (see figure 3).
- Bridging of current transformer output without changing the connection of the secondary, so to avoid any output overvoltage during either the maintenance or the installation procedure (see figure 4).
- Easy output and earth connection (see fig. 5).
- Screw terminals compatible with any kind of wire terminals (see figure 6-7-8-9).
- Multiple screws provided with isolation cap screws to grant a strong and reliable fixing of the current transformer to the bus-bar (see figure 10).

## Dimensions (mm)



## Wiring Diagram

