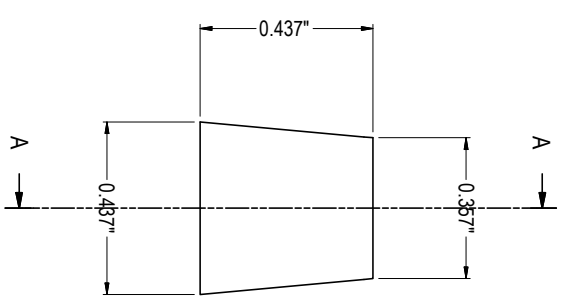
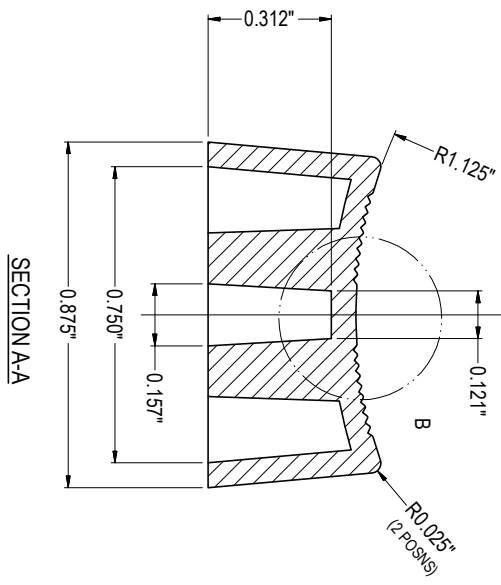
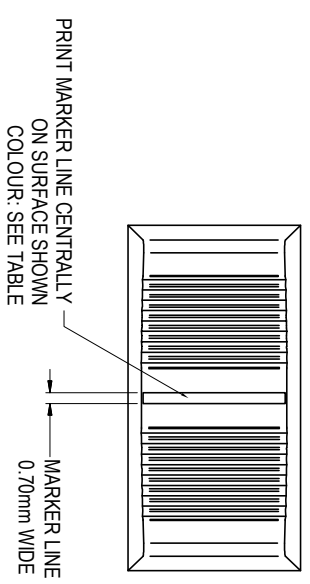
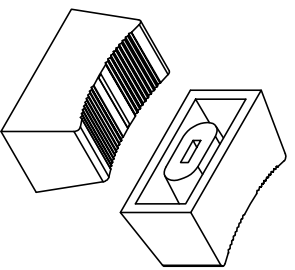
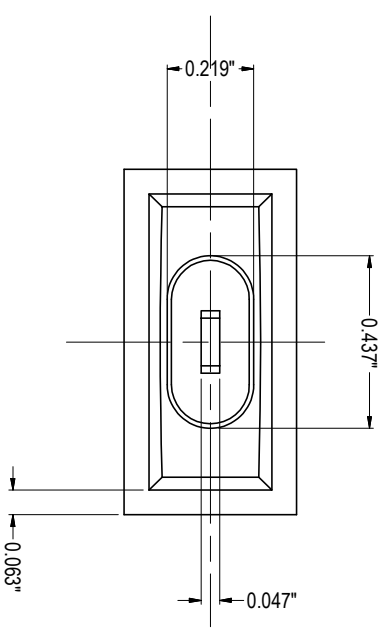
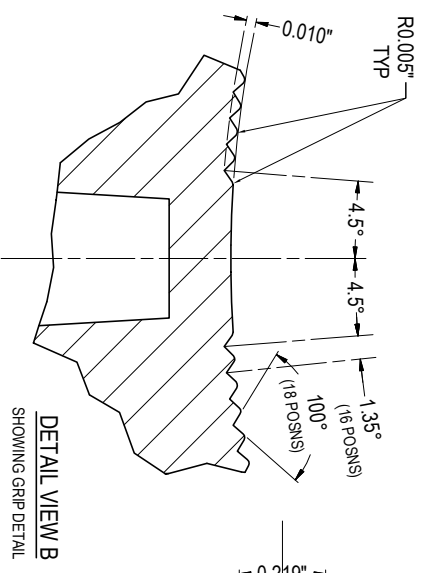


NOTES:-

1. PART TO BE MADE TO 3D DATA SUPPLIED.
2. TOLERANCE UNLESS OTHERWISE STATED $\pm 0.003"$.



SLIDER COLOUR	MOULDING PART NUMBER	CEC NUMBER	PRINTED MARKER LINE COLOUR
BLACK	04.02.0301.02	CP3261	WHITE
WHITE	04.02.0301.03	--	BLACK
GREY	04.02.0301.04	CP3273	WHITE
GREEN	04.02.0301.05	--	WHITE
YELLOW	04.02.0301.06	--	BLACK
RED	04.02.0301.07	CP3276	WHITE
BLUE	04.02.0301.08	--	WHITE



ROHS COMPLIANT

TOLERANCE
 NO DEC. PLACE \pm
 1 DEC. PLACE \pm
 2 DEC. PLACE \pm
 HOLE DIA. \pm
 ANGLES $\pm 1/2^\circ$
 UNLESS OTHERWISE STATED
 WHERE USED F.R.

DIMENSIONS IN INCHES UNLESS OTHERWISE STATED. WORK TO DIMENSIONS. DO NOT SCALE DRAWING. 3rd ANGLE PROJECTION. REMOVE ALL BURRS. IF IN DOUBT ASK.

Cliff Electronic Components Ltd.

76 Holmeborne Ave., Holmeborne Ind. Estate,
 Redhill, Surrey RH4 2PF, England
 Tel: 01737-71315 Fax: 01737-766012

MATERIAL	NYLON 6 (GRILON BS2)
FINISH	SPARK ERODED, VARIOUS COLOURS
DRAWN	NJB
APPD.	DPJ

TITLE	CS/1 SLIDER KNOB 4mm B SHAFT (04.02.0301)
DRWG. No.	CP3261
FORM:	ADRUUGH

NO.	REVISED	DATE
1	1st DRAWN	30/1/10