

# CR2450N

3V Lithium Battery  
Swiss Made

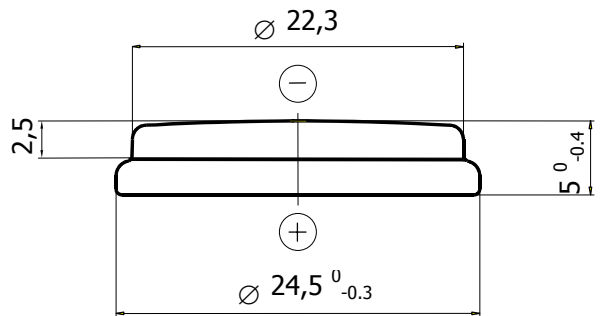
## Technical Data Sheet

### Specifications

Chemical System	Li / MnO <sub>2</sub>
Nominal Voltage	3 V
Rated Capacity	540 mAh
Standard Discharge Current	0,8 mA
Max. Cont. Discharge Current	3,0 mA
Average Weight	5,9 g
Temperature Range	-30 - +70 °C
Self Discharge at 23°C	< 1% / year

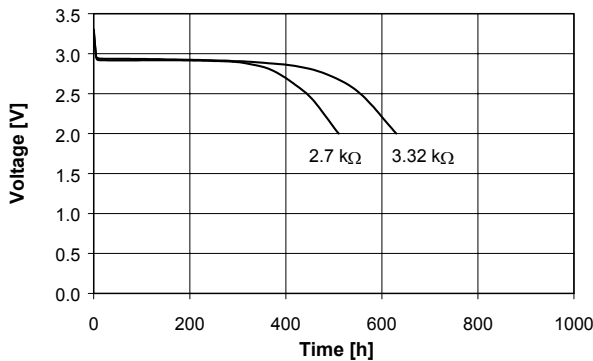
### Dimensions

(According to IEC 60086)

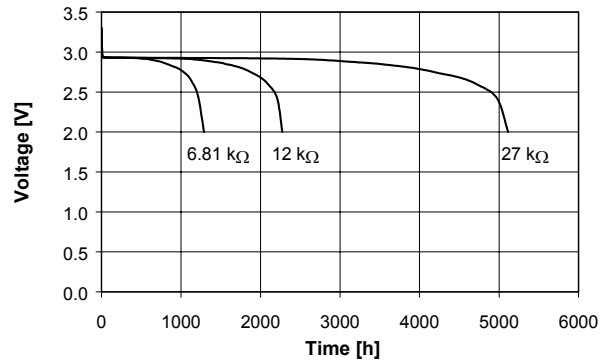


### Performance

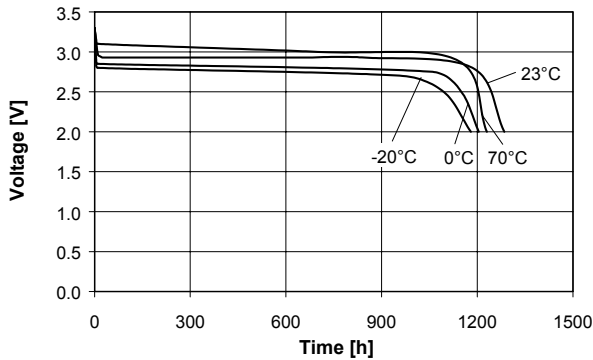
Discharge performance at 23°C



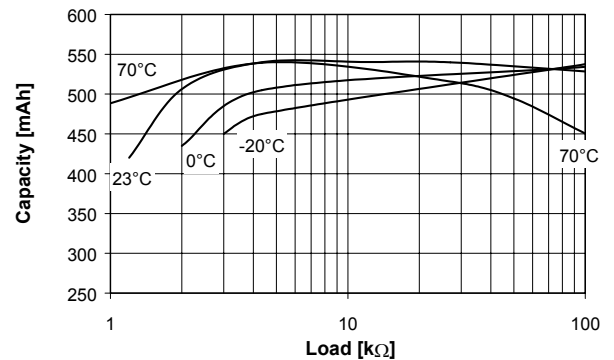
Discharge performance at 23°C



Temperature performance Load 6.81kΩ



Cell capacity at various loads



Rev. CR2450N.04 10/01