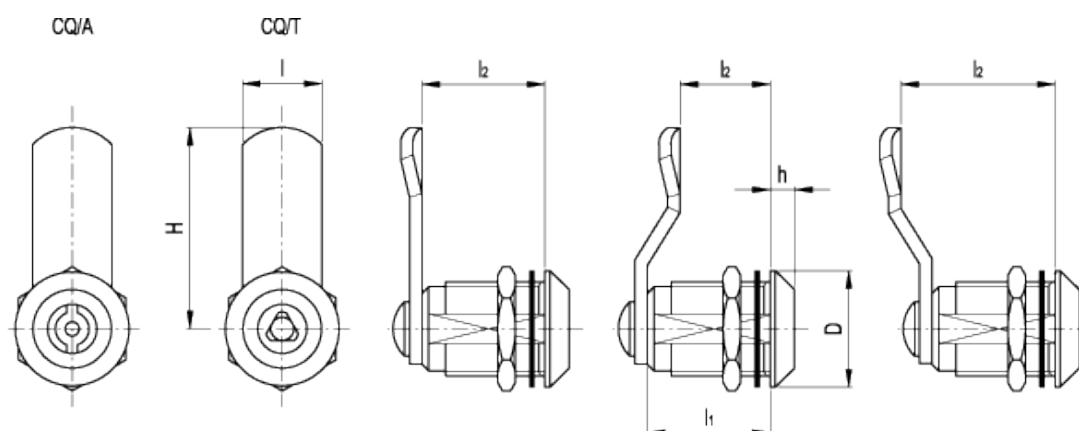


CQ.

Latches with recessed key



technical informations

Stator and rotor

Nickel-plated zinc alloy.

Nut

Brass (M19x1 or M22x 1.5).

Shaped closing lever

Zinc-plated steel, thicknesses:

- 2.5 mm (for nut M19x1)
- 3 mm (for nut M22x1.5).

Spring washer

Zinc-plated steel.

Sealing washer

- PVC (for nut M19x1)
- SBR rubber (for nut M22x1.5).

Screw

Zinc-plated steel (M5x8).

Key

Polyamide based (PA) technopolymer.

Rotation

90°.

IP protection

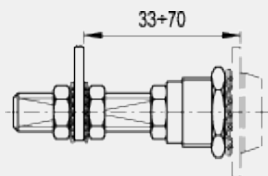
IP 65 protection class, according to [IEC 529 table](#).

Standard executions available

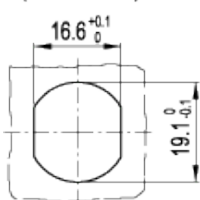
- CQ/A: mark for two-wings key.
- CQ/T: mark for triangular key.

Special executions and accessories (For sufficient quantities)

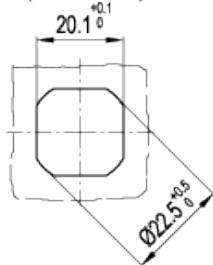
- Closing levers in other dimensions.
- Brass threaded extension for prolonged positioning of the lever (code 421137 description C.PQ M5/58).



Drilling template
(for stator M19)



Drilling template
(for stator M22)



Standard Elements				Main dimensions						Weight
Code	Description	Code	Description	H	l ₂	D	h	l	l ₁	g
421301	CQ/A-M19x1-36-20	421341	CQ/T-M19x1-36-20	35.5	20	22	4	16	20	73
421303	CQ/A-M19x1-36-25	421343	CQ/T-M19x1-36-25	35.5	25	22	4	16	20	75
421305	CQ/A-M19x1-36-30	421345	CQ/T-M19x1-36-30	35.5	30	22	4	16	20	79
421307	CQ/A-M19x1-36-35	421347	CQ/T-M19x1-36-35	35.5	35	22	4	16	20	83
421313	CQ/A-M22x1.5-45-16	421353	CQ/T-M22x1.5-45-16	45	16	28	4	20	20	85
421315	CQ/A-M22x1.5-45-18	421355	CQ/T-M22x1.5-45-18	45	18	28	4	20	20	87
421311	CQ/A-M22x1.5-45-20	421351	CQ/T-M22x1.5-45-20	45	20	28	4	20	20	83
421317	CQ/A-M22x1.5-45-24	421357	CQ/T-M22x1.5-45-24	45	24	28	4	20	20	91
421319	CQ/A-M22x1.5-45-28	421359	CQ/T-M22x1.5-45-28	45	28	28	4	20	20	93
421321	CQ/A-M22x1.5-45-30	421361	CQ/T-M22x1.5-45-30	45	30	28	4	20	20	94

421323	CQ/A-M22x1.5-45-32	421363	CQ/T-M22x1.5-45-32	45	32	28	4	20	20	95
--------	--------------------	--------	--------------------	----	----	----	---	----	----	----



ELESA and GANTER models all rights reserved in accordance with the law. Always mention the source when reproducing our drawings.

STANDARD MACHINE ELEMENTS WORLDWIDE