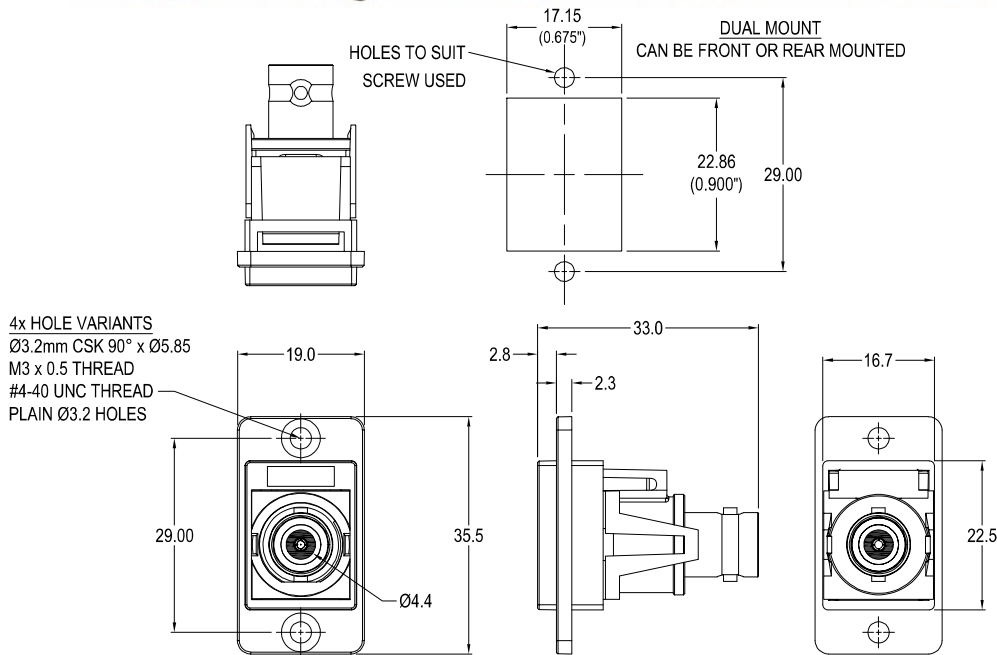


CLIFF

DUALSLIM BNC 50 Ohm METAL FRAME FEEDTHROUGH CONNECTOR

Can be front or rear mounted in the panel



VARIANTS

Part No.

CP30737M

DUALSLIM BNC 50Ω Nickel frame, CSK holes

CP30737MB

DUALSLIM BNC 50Ω Black metal frame, CSK holes

CP30737M3

DUALSLIM BNC 50Ω Nickel frame, M3 holes

CP30737MB3

DUALSLIM BNC 50Ω Black metal frame, M3 holes

CP30737M440

DUALSLIM BNC 50Ω Nickel frame, #4-40 holes

CP30737MB440

DUALSLIM BNC 50Ω Black metal frame, #4-40 holes

CP30737MX1

DUALSLIM BNC 50Ω Nickel frame, Ø3.2 PLAIN holes

CP30737MBX1

DUALSLIM BNC 50Ω Black metal frame, Ø3.2 PLAIN holes

Feedthrough Features

- Fits standard rectangular cutout.
- Front or rear mounting through the panel.
- Various hole mounting options.
- No soldering or punch termination. Use standard cable for each connector style.
- Low rear profile.

Material:

1. SLIM Frame: Diecast, Nickel or black plated
2. BNC Frame: ABS UL94 V2
3. BNC Body: Brass - Nickel Plated
4. BNC Centre: Brass - Copper Plated
5. BNC Insulator: PP UL94 V2

General:

Please note: Functionality is affected by cable quality, length and cable wiring configuration.