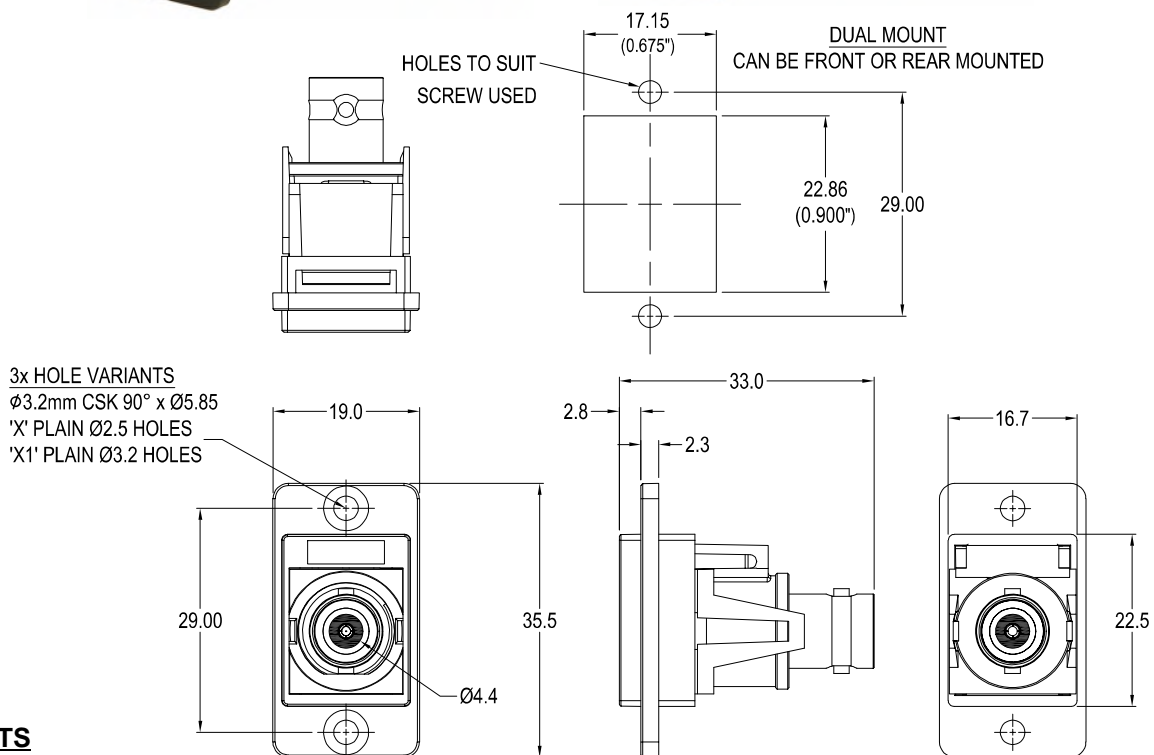


CLIFF

DUALSLIM BNC 50 Ohm FEEDTHROUGH CONNECTOR

Can be front or rear mounted in the panel



3x HOLE VARIANTS
Ø3.2mm CSK 90° x Ø5.85
'X' PLAIN Ø2.5 HOLES
'X1' PLAIN Ø3.2 HOLES

VARIANTS

Part No.

CP30737	DUALSLIM BNC 50Ω Black plastic frame, CSK holes
CP30737X	DUALSLIM BNC 50Ω Black plastic frame, Ø2.5 PLAIN holes
CP30737X1	DUALSLIM BNC 50Ω Black plastic frame, Ø3.2 PLAIN holes

Feedthrough Features

- Fits standard rectangular cutout.
- Front or rear mounting through the panel.
- Various hole mounting options.
- No soldering or punch termination. Use standard cable for each connector style.
- Low rear profile.

Material:

1. SLIM Frame: Polyamide UL94 V2
2. BNC Frame: ABS UL94 V2
3. BNC Body: Brass - Nickel Plated
4. BNC Centre: Brass - Copper Plated
5. BNC Insulator: PP UL94 V2

General:

Please note: Functionality is affected by cable quality, length and cable wiring configuration.