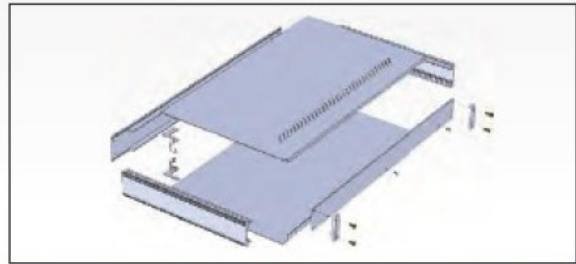


CODE:37-3



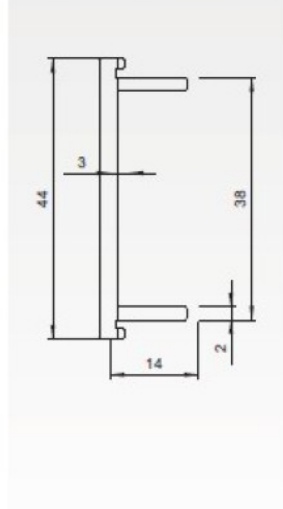
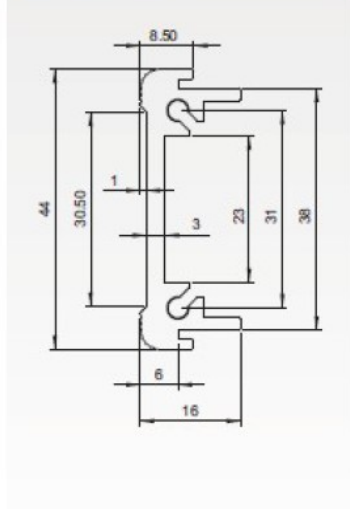
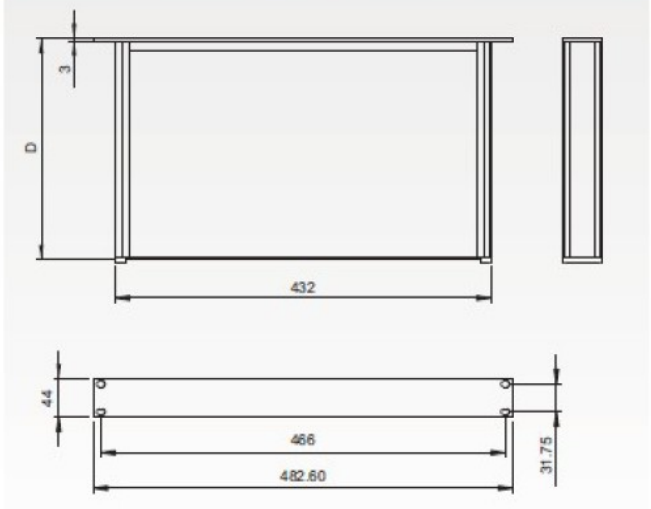
The case will consist of aluminum panel, side beam, top & bottom panels, rear panels and so on. The depth of the case can be customized. The holes can be added in the front panel. The pillars for PCB can be also added in the inside.



Dimension

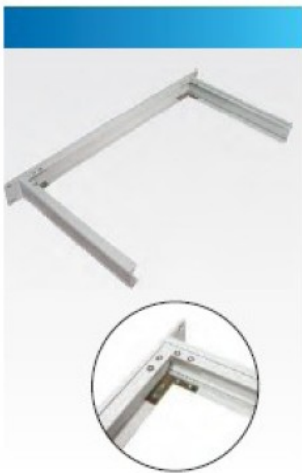
Side horizontal rail

Front extruder panel



200, 250, 300, 350mm.

The depth of the case can be customized as per your request. Now we have it in 200, 250, 300, 350mm.



CP-37-3

