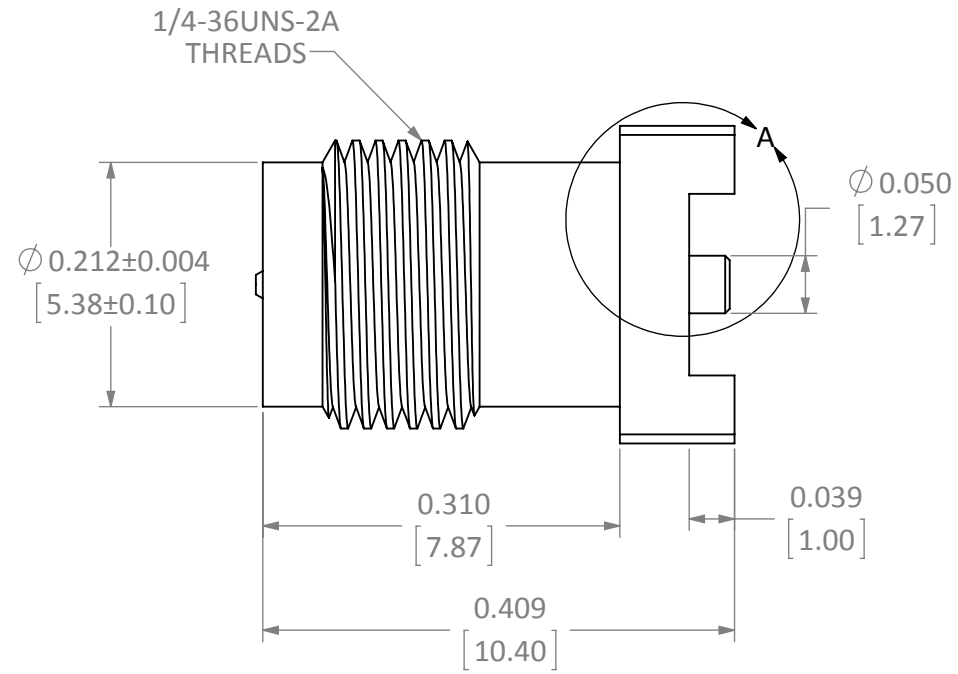
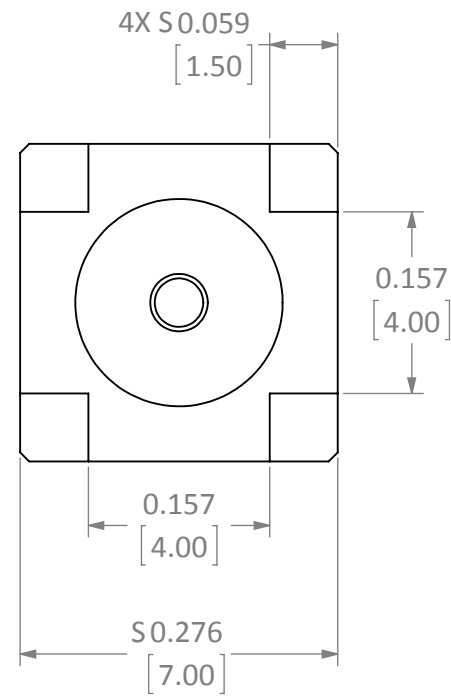


DESCRIPTION	MATERIAL	FINISH
BODY	BRASS	NICKEL
PIN	BeCu	GOLD
INSULATION	PTFE	N/A

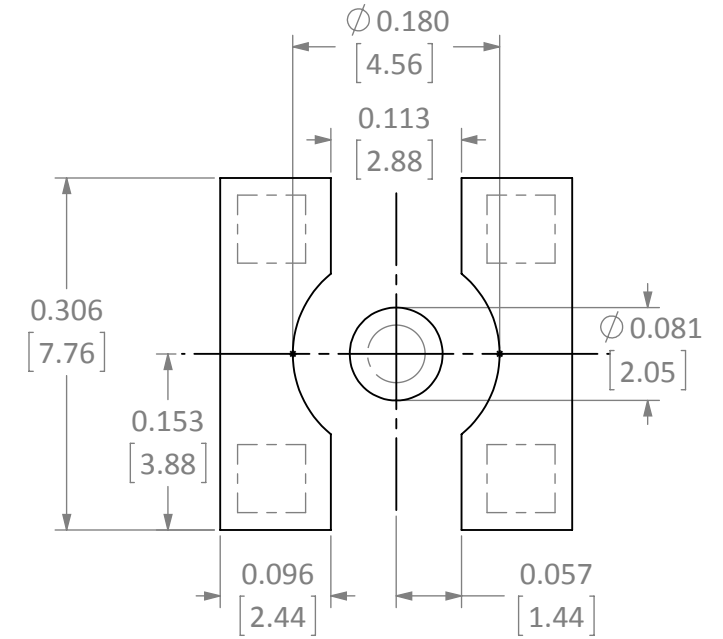
REVISIONS			
REV	DESCRIPTION	DATE	APPV
B	CHANGED PART/DRAWING NUMBER; ADDED NEW TITLE BLOCK; UPDATED FOOTPRINT DRAWING; DIMENSIONED PIN	25-APR-12	SAH
C	UPDATED MATERIALS	10-JUL-12	SAH
D	REMOVED "-N" FROM PART NUMBER	8-NOV-13	SAH
E	ADDED CONTACT TO STANDOFF DIMENSION; UPDATED NOTE 3	3-MAY-16	SAH
F	ADDED OUTER BARREL DIMENSION	29-NOV-17	SAH



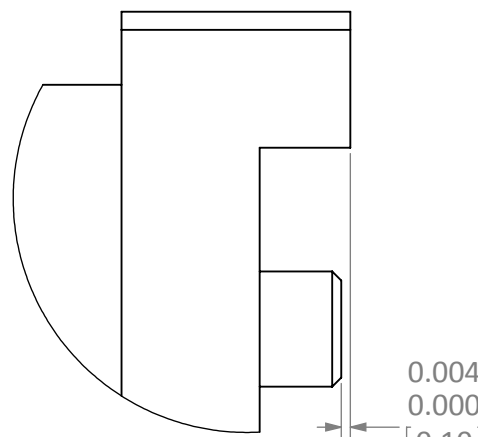
SIDE VIEW



BOTTOM VIEW



RECOMMENDED FOOTPRINT



DETAIL A  
SCALE 12 : 1

0.004  
0.000  
[0.10]  
[0.00] CENTER CONTACT TO MOUNTING PLANE STAND-OFF

NOTES: (UNLESS OTHERWISE SPECIFIED)

1. ALL DIMENSIONS ARE IN INCHES [mm].
2. DIMENSIONS APPLY AFTER FINISHING.
3. MANUFACTURE TO BE COMPLIANT WITH EU RoHS DIRECTIVE, USE MATERIALS THAT DO NOT CONTAIN REACH SUBSTANCES OF VERY HIGH CONCERN >1000ppm, AND USE DRC CONFLICT-FREE SOURCED MATERIALS.
4. SAFETY BREAK ALL SHARP CORNERS AND EDGES .02 MAXIMUM.

**WARNING:** THIS DRAWING CONTAINS PROPRIETARY INFORMATION THAT IS THE SOLE PROPERTY OF LINX TECHNOLOGIES, AND SHALL BE TREATED AS SUCH. NO DISCLOSURE OR REPRODUCTION OF THIS DOCUMENT IS PERMITTED, IN WHOLE OR IN PART, WITHOUT THE EXPRESS WRITTEN PERMISSION OF LINX TECHNOLOGIES OR ITS DESIGNATED AGENTS.

**Linx**

159 ORT LANE  
MERLIN, OR 97532

TITLE:  
**RP-SMA FEMALE PCB MOUNT  
SURFACE MOUNT**

MATERIAL:	INTERPRET DIMENSIONS AND TOLERANCES PER ASME Y14.5.	PROJECTION:
FINISH:	SURFACE FINISH: $\sqrt{}$ ANGLES: $\pm 1^\circ$ TOLERANCES: .X $\pm .1$ .XX $\pm .01$ .XXX $\pm .005$	
DRAWN: B.MURPHY	DT: 25-APR-12	SIZE DWG. NO.
ENGR: S.HOGAN	DT: 8-NOV-13	<b>B</b> CONREVSMA001-SMD

REV	<b>F</b>
SCALE: 6:1	DO NOT SCALE DRAWING
SHEET 1 OF 1	LDCDFB_C