

WiFi Antenna

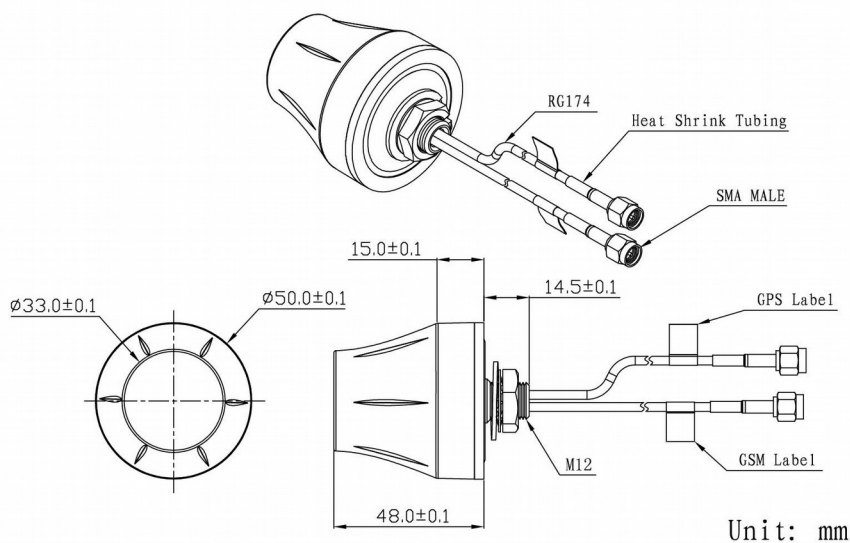
Model : COMBO-ANT062



1 Part Number

COMBO-ANT062

2 Dimension (Unit : mm)



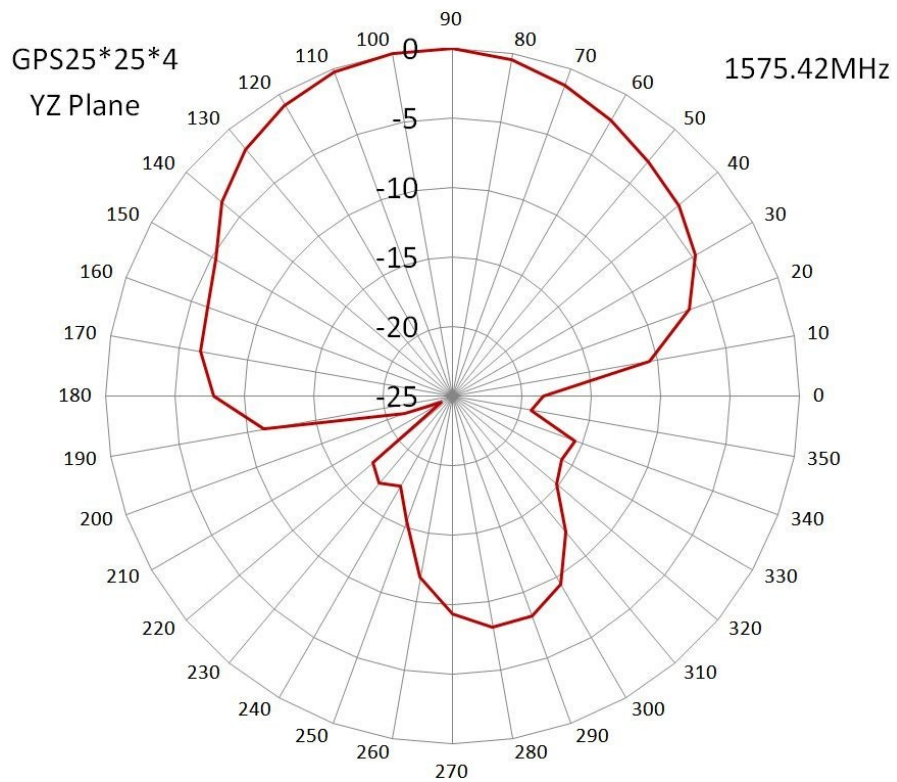
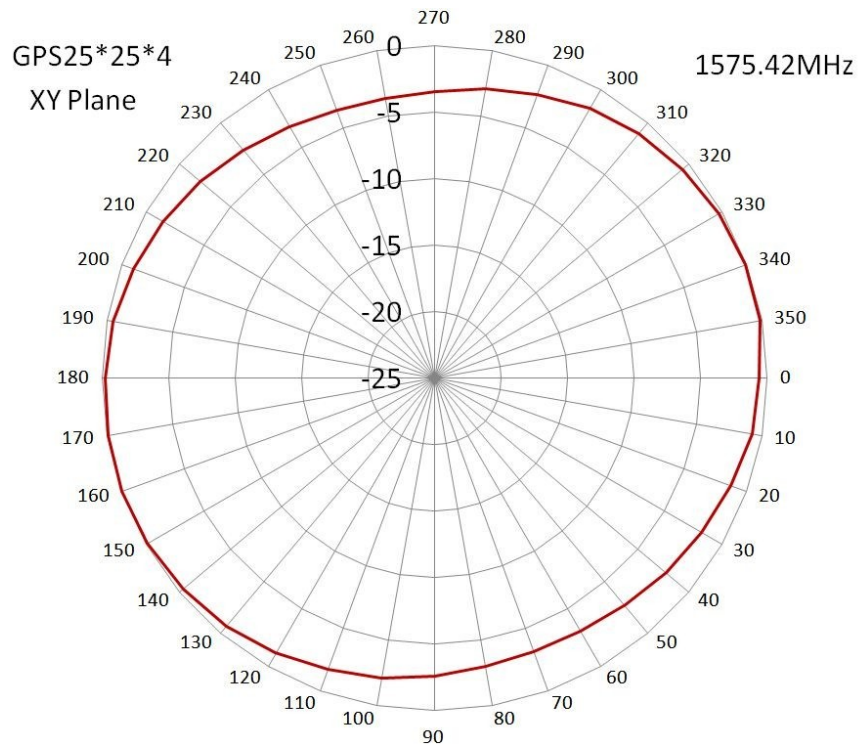
3 Electrical Characteristics

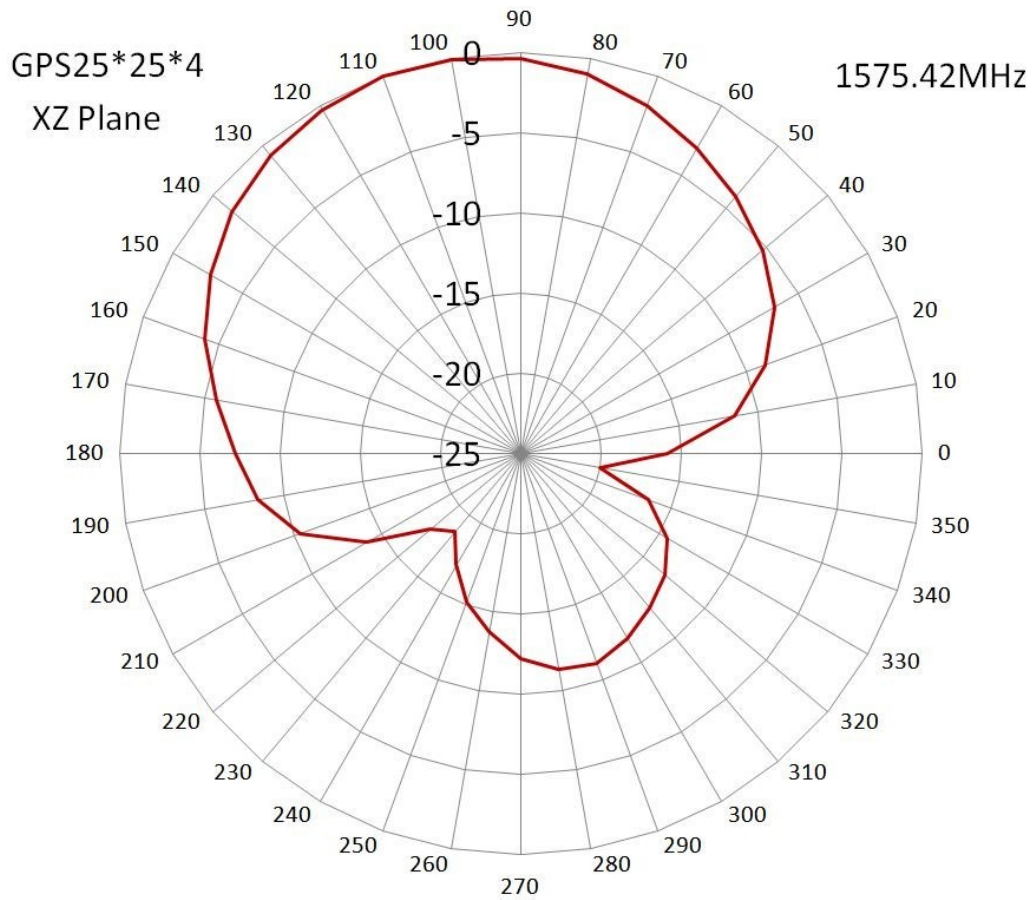
3.1 WiFi Antenna

Item		Specifications	
GPS Antenna	Dielectric Antenna	Center Frequency	1575.42±1MHz
		Band Width	CF±5MHz
		Polarization	RHCP
		Gain	2dBic (Zenith)
		V.S.W.R	< 1.5
		Impedance	50Ω
		Axial Ratio	3dB (max)
	LNA	Gain	28±2dB
		Noise Figure	< 1.5
		Ex-band Attenuation	12dB@CF+50MHz/16dB@CF-50MHz
		V.S.W.R	< 2.0
Supply Voltage		2.2~5V DC	
Current Consumption	5~15mA		
GSM Antenna		Frequency Range	824~960MHz/1710~2170MHz
		V.S.W.R	< 2.0
		Polarization	Linear
		Gain	2.0dBi
		Impedance	50Ω
Mechanical		Cable	RG174
		Connector	SMA/MCX/FAKRA or others
		Material	ABS
		Mounting Method	Screw
Environmental		Operating Temperature	-40°C~+85°C
		Relative Humidity	Up to 95%
		Ingress Protection	IP67 (exclude cable outlet)
		Vibration	10 to 55Hz with 1.5mm amplitude 2hours
		Environmentally Friendly	ROHS Compliant

4 Radiation Pattern

GPS Antenna





GSM Antenna

